

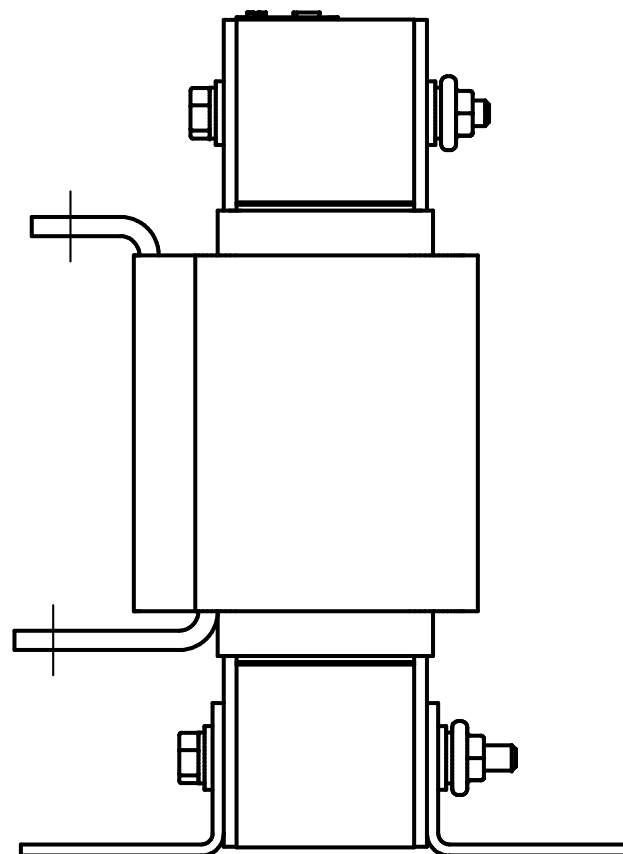
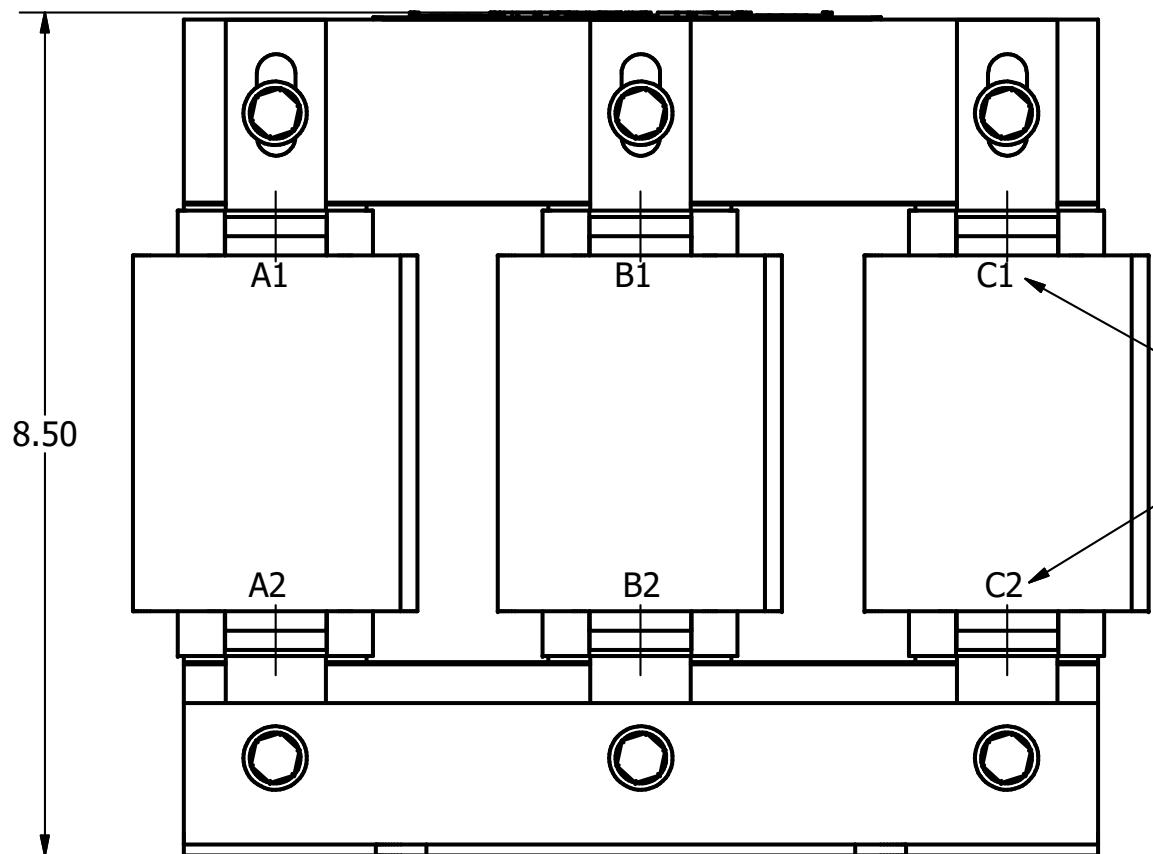
480 Rated Voltage, 600 Max Voltage, High Z, Impedance.								
Part Number	Horsepower (HP)	Motor Amps (A)	Maximum Amps (A)	Inductance (uH)	Weight (LBS)	Losses (W)	Available Lug Kit	Terminal Hole Size (Inches)
KDRI2H	100	124	125	252	52	297	SLK10	0.28

575 Rated Voltage, 600 Max Voltage, High Z, Impedance.								
Part Number	Horsepower (HP)	Motor Amps (A)	Maximum Amps (A)	Inductance (uH)	Weight (LBS)	Losses (W)	Available Lug Kit	Terminal Hole Size (Inches)
KDRI4H	100	99	99	471	50	268	SLK10	.034

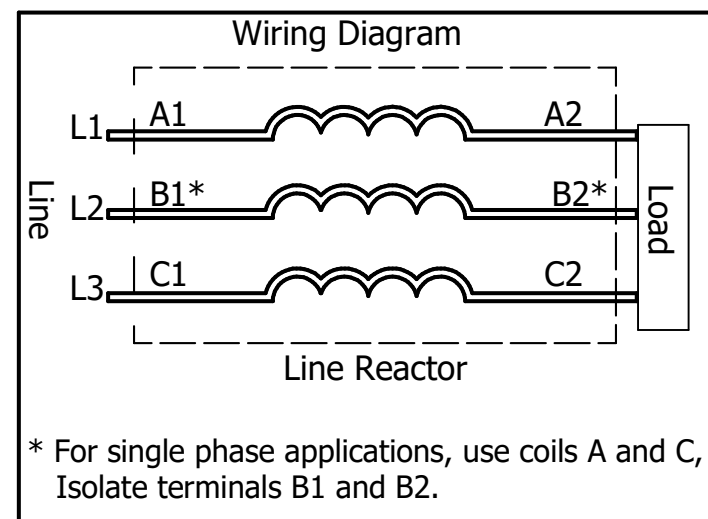
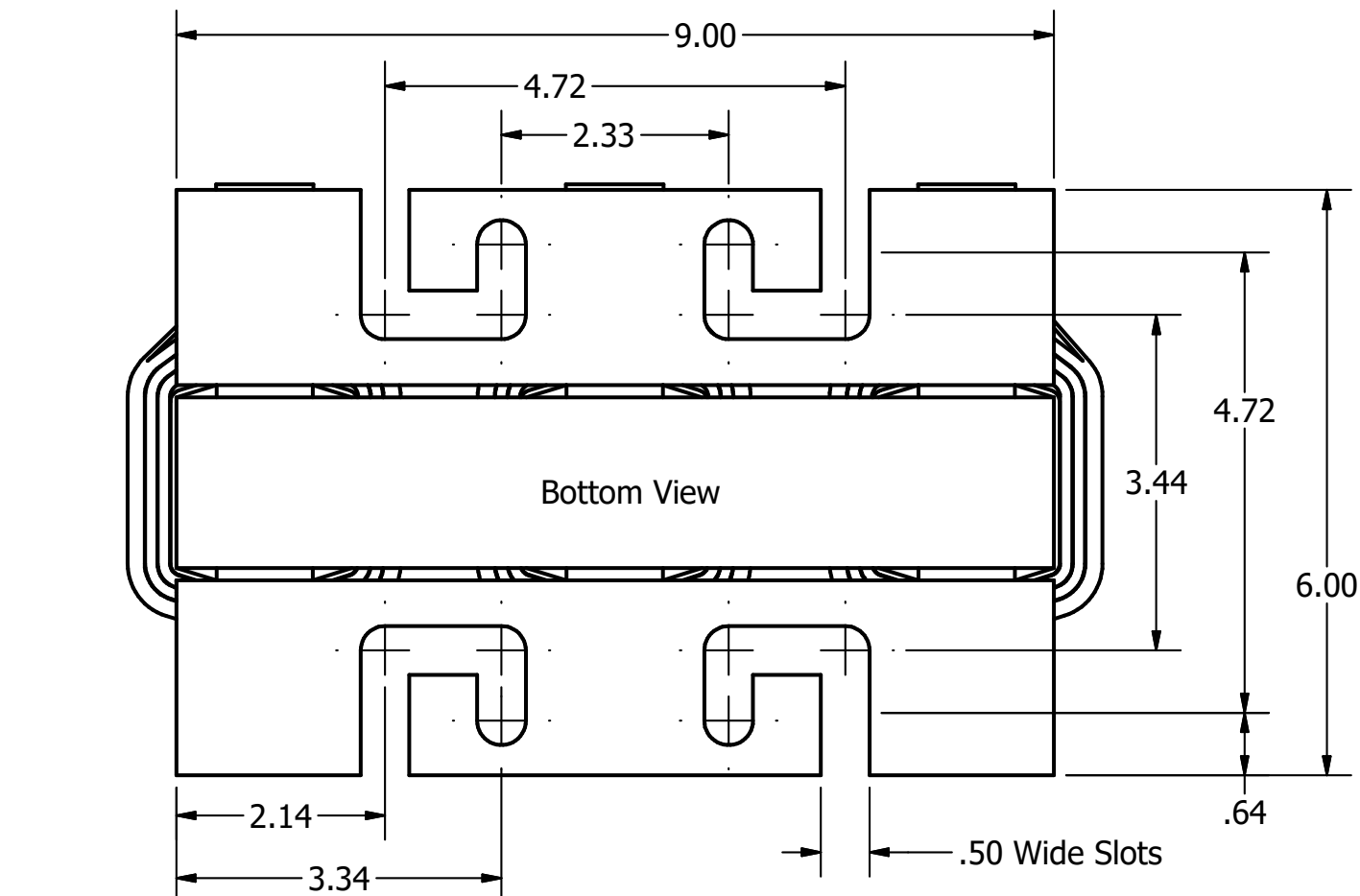
480 Rated Voltage, 600 Max Voltage, Output								
Part Number	Horsepower (HP)	Motor Amps (A)	Maximum Amps (A)	Inductance (uH)	Weight (LBS)	Losses (W)	Available Lug Kit	Terminal Hole Size (Inches)
KDRI1P	125	156	160	70	50	127	SLK11	0.34

575 Rated Voltage, 600 Max Voltage, Output								
Part Number	Horsepower (HP)	Motor Amps (A)	Maximum Amps (A)	Inductance (uH)	Weight (LBS)	Losses (W)	Available Lug Kit	Terminal Hole Size (Inches)
KDRI31P	150	144	160	72.3	50	127	SLK11	0.34

Front View



Side View



TCI (800) 824-8282 transcoil.com

TCI, LLC
Germantown, WI, USA.
transcoil.com
800-824-8282

KDRUL Drive Reactor
KDR- Motor Amps -
3PH, 50/60Hz, -V Rated, 600V Max, -A Max
40C Amb Max, 155C Rise, RoHS
Manual #30895 LUG KIT #SLK-

UL LISTED CE
NEMA ST20-1992

DATE CODE A1 A2 B1 B2 C1 C2

Notes:

1. KDR Lug Kits sold separately. Contact TCI.
2. For KDRUL Version With Terminal Lugs Attached, See Sheet 2
3. UL file number: cULus Listed File E116124.
4. KDR Drive Reactors Comply With The Thermal and Altitude Standards Set Forth by NEMA ST20-1992.
5. KDR IOM Manual Part Number 30895
6. NEC Current For 208/240 Volts, Horsepower Based On 208 Volts.
7. Material(s) Shall be RoHS Compliant
8. Customer Is Responsible For Installation To Meet All National And Local Electrical Codes.

TCI, LLC CLAIMS PROPRIETARY RIGHTS IN THE MATERIAL HEREIN DISCLOSED. IT IS SUPPLIED WITHOUT PREJUDICE TO ANY PATENT RIGHTS OF TCI AND MAY NOT BE REPRODUCED OR USED TO MANUFACTURE ANYTHING SHOWN THEREIN WITHOUT WRITTEN PERMISSION FROM TCI.

TOLERANCES (EXCEPT AS NOTED)			
DECIMAL			
	XX ± .25		
	.XXX ± .10		
FRACTIONAL			
	± 1/16		
ANGULAR			
	± 1°		
A	Combined Drawings	2/27/18	DSW
NO	REVISION	DATE	BY
		W132 N10611 Grant Drive Germantown, WI 53022	
KDR I Frame, Copper Bus Reactor Drawing			
DRN BY	DATE	107535DG	
SCALE	APRVD	SIZE	
1/2		C	
			SHT 1 OF 6