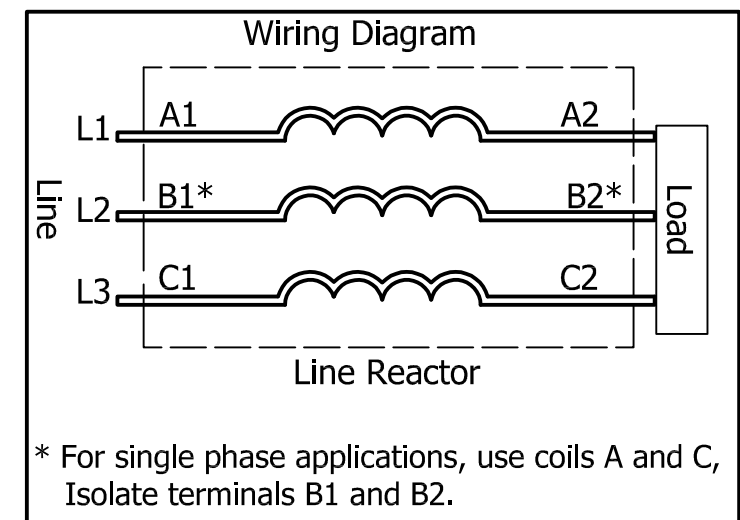


Ground Lug. See IOM Manual, Part# 30895 Table S2/0, Wire Size And Torque.

Suggested Customer Wire Entrance Bottom Of Enclosure. See Note: 8 (Non Removeable Panel)

Suggested Customer Entrance Either Side Of Enclosure. See Note: 8 (Non Removeable Panel)



208/240 Rated Voltage, 600 Max Voltage, High Z, Impedance.								
Part Number	Horsepower (HP)	Motor Amps (A)	Maximum Amps (A)	Inductance (uH)	Weight (LBS)	Losses (W)	Available Lug Kit	Terminal Hole Size (Inches)
KDRI22HE3R	75	211	220	85.4	120	312	SLK12	0.44
KDRI21HE3R	100	273	275	64.6	120	296	SLK12	0.44

208/240 Rated Voltage, 600 Max Voltage, Low Z, Impedance.								
Part Number	Horsepower (HP)	Motor Amps (A)	Maximum Amps (A)	Inductance (uH)	Weight (LBS)	Losses (W)	Available Lug Kit	Terminal Hole Size (Inches)
KDRI23LE3R	75	211	211	48.7	120	294	SLK12	0.44
KDRI24LE3R	100	273	280	36.4	120	276	SLK12	0.44

TCL (800) 824-8282 transcoll.com

TCL, LLC Germantown, WI, USA. transcoll.com 800-824-8282

KDRUL Drive Reactor
 KDR- Motor Amps ---
 3PH, 50/60Hz, ---V Rated, 600V Max, -A Max
 40C Amb Max, 155C Rise, RoHS
 Manual #30895 LUG KIT #SLK---

- Notes:
1. KDR Lug Kits sold separately. Contact TCL.
 2. For KDRUL Version With Terminal Lugs Attached, See Sheet 6
 3. UL file number: cULus Listed File E116124.
 4. KDR Drive Reactors Comply With The Thermal and Altitude Standards Set Forth by NEMA ST20-1992.
 5. KDR IOM Manual Part Number 30895
 6. NEC Current For 208/240 Volts, Horsepower Based On 208 Volts.
 7. Material(s) Shall be RoHS Compliant
 8. Customer Is Responsible For Installation To Meet All National And Local Electrical Codes.

TCL, LLC CLAIMS PROPRIETARY RIGHTS IN THE MATERIAL HEREIN DISCLOSED. IT IS SUPPLIED WITHOUT PREDJUDICE TO ANY PATENT RIGHTS OF TCL AND MAY NOT BE REPRODUCED OR USED TO MANUFACTURE ANYTHING SHOWN THEREIN WITHOUT WRITTEN PERMISSION FROM TCL.

TOLERANCES (EXCEPT AS NOTED)
 DECIMAL
 .XX ± .25
 .XXX ± .10
 FRACTIONAL
 ± 1/16
 ANGULAR
 ± 1°

W132 N10611 Grant Drive Germantown, WI 53022

KDR I Frame, Copper Bus, Enclosed Type 3R, Reactor Drawing

DRN BY: DSW	DATE: 4/24/18	SIZE: C
SCALE: 1/5	APPRV: 1	107620DG

NO REVISION DATE BY

SHT 5 OF 8