

VOLTAGE	NEC MOTOR HP	CATALOG NO	NEC MOTOR CURRENT	AMPS MAX	APPROX WT-LBS	WATTS LOSS	TERMINAL HOLE SIZE
690V	150	KDRH44LV	144	144	45	253	.28
LOW-Z							

**TCI** PERFORMANCE AND PROTECTION FOR DRIVES.

KDR Drive Reactor

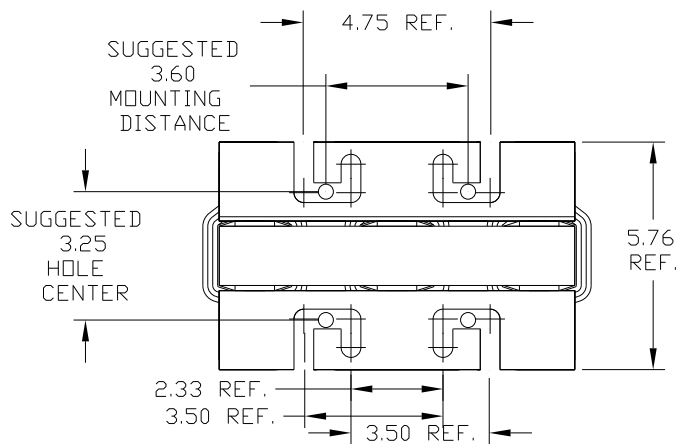
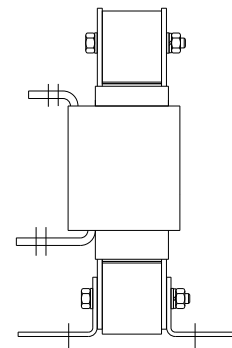
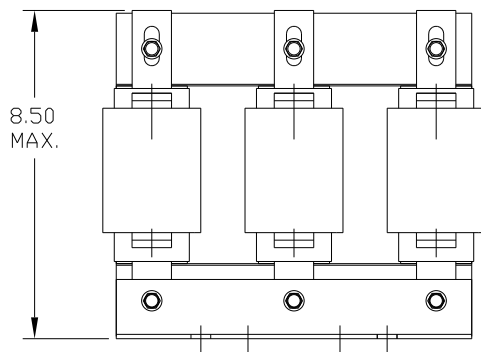
TRANS-COIL, INC  
MILWAUKEE WI  
WWW.transcoil.com  
800-824-8282


CATALOG# MOTOR HP AMPS

3PH, 50/60Hz, 690V Max,  A Max., RoHS

DATE CODE A1 A2 B1 B2 C1 C2

UL<sup>®</sup> CE



NO	REVISION	DATE	BY	TOLERANCES (EXCEPT AS NOTED)	 7878 N. 86th STREET MILWAUKEE, WI 53224
				DECIMAL	
				.XX ± .03 .XXX ± .01	
				FRACTIONAL ± 1/32	
				ANGULAR ± 1/2°	KDR DRIVE REACTOR 690V LOW Z, FRAME H
					DRN. BY DSW DATE 02/13/07 SCALE TO FIT APRVD.
					DWG. NO. B KDRH44LVDG SHT. 1 OF 1