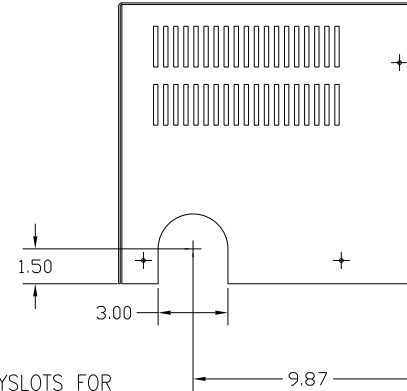
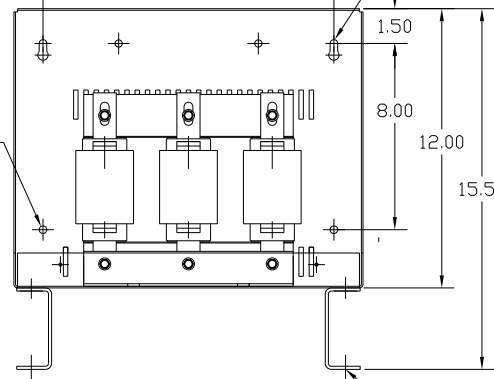
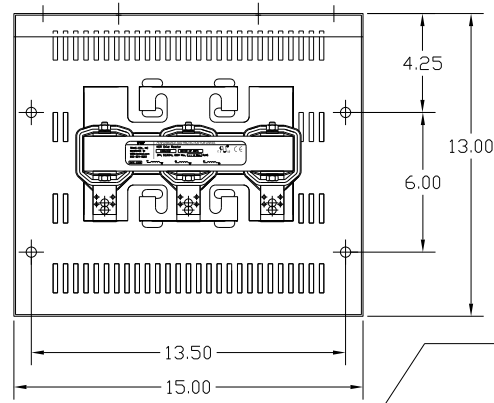
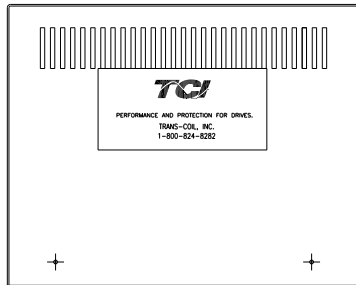
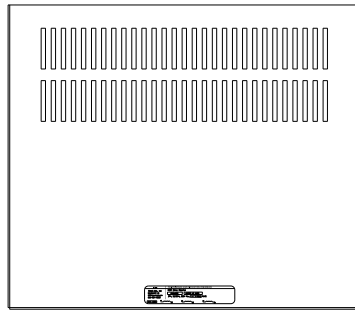
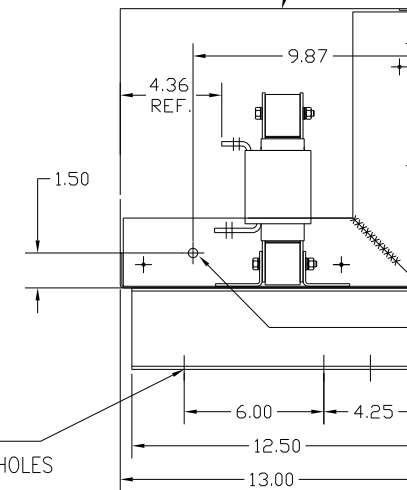


CATALOG NO	VOLTAGE	NEC MOTOR HP	NEC MOTOR CURRENT	WATTS LOSS	TERMINAL HOLE SIZE	APPROX WT-LBS
KDRH44LC4V	690	150	144	253	.280	80



KEYSLOTS FOR 1/4-20 SCREWS 2 PLACES

COVER IN PLACE



LOCATION FOR CUSTOMERS CONDUIT FITTING (BOTH SIDES)

.44 DIA. 4 MTG. HOLES

CUSTOMER IS RESPONSIBLE FOR INSTALLATION TO MEET ALL NATIONAL AND LOCAL ELECTRICAL CODES.

TOLERANCES (EXCEPT AS NOTED)				TCI 7878 N. 86th STREET MILWAUKEE, WI 53224	
DECIMAL				KDR DRIVE REACTOR, ENCLOSED 690V LOW Z, FRAME H	
.XX ± .03					
.XXX ± .01					
FRACTIONAL ± 1/32					
ANGULAR ± 1/2°				DRN BY DSW	DATE 2/16/12
NO	REVISION	DATE	BY	SCALE	APRVD. B

KDRH44LC4V SHT. 1 of 1