

VOLTAGE	NEC MOTOR HP	CATALOG NO	NEC MOTOR CURRENT	AMPS MAX	APPROX WT-LBS	WATTS LOSS	TERMINAL HOLE SIZE
690V	125	KDRH43LV	125	125	45	261	.28

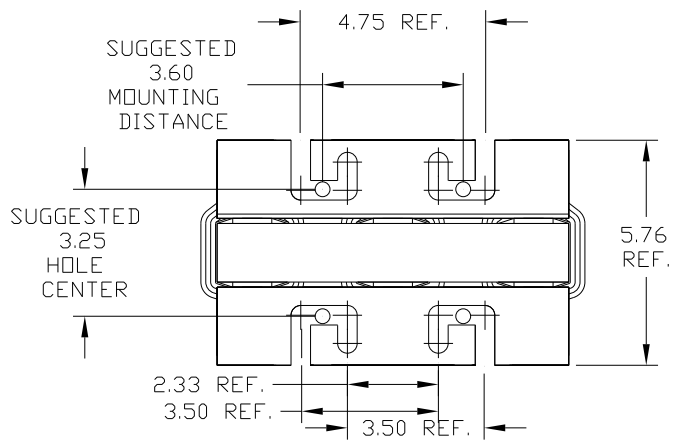
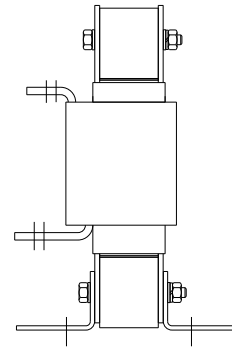
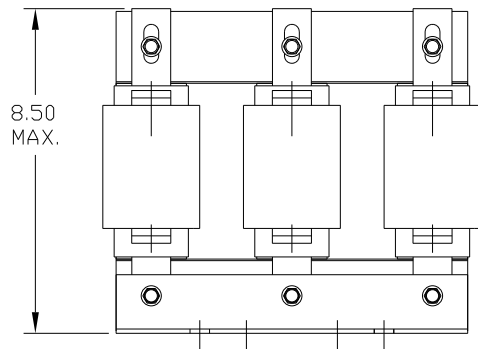
TCI PERFORMANCE AND PROTECTION FOR DRIVES.

TRANS-COIL, INC
MILWAUKEE WI
WWW.transcoil.com
800-824-8282

KDR Drive Reactor
CATALOG# MOTOR HP AMPS
3PH, 50/60Hz, 690V Max, --- A Max, RoHS

UL US CE

DATE CODE A1 A2 B1 B2 C1 C2



NO	REVISION	DATE	BY	TOLERANCES (EXCEPT AS NOTED)	 7878 N. 86th STREET MILWAUKEE, WI 53224
				DECIMAL	
				.XX ± .03 .XXX ± .01	
				FRACTIONAL ± 1/32	
				ANGULAR ± 1/2°	DRN. BY DSW DATE 02/13/07 SCALE TO FIT APRVD. DWG. NO. B
					KDR DRIVE REACTOR 690V LOW Z, FRAME H KDRH43LVDG SHT. 1 OF 1