

VOLTAGE	NEC MOTOR HP	CATALOG NO	NEC MOTOR CURRENT	AMPS MAX	APPROX WT-LBS	WATTS LOSS	RING LUG HOLE SIZE
690V							
HIGH-Z	60	KDRH43HV	62	62	45	205	.38

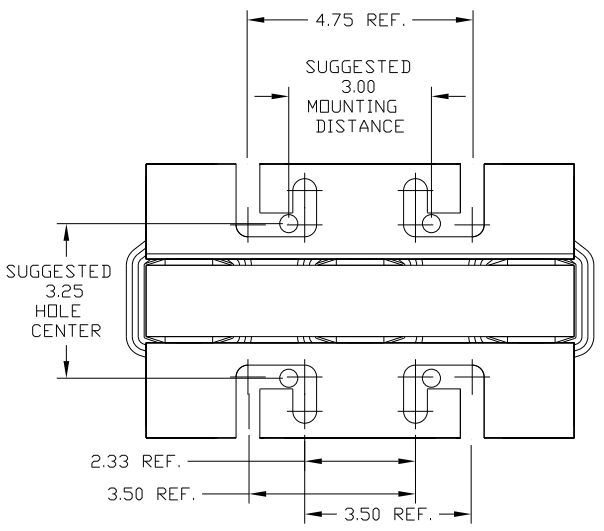
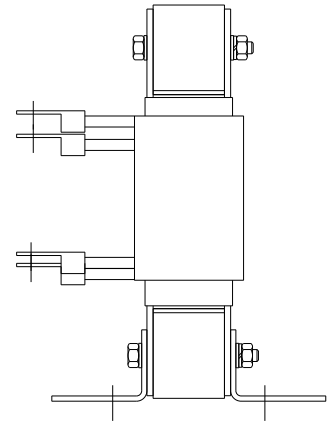
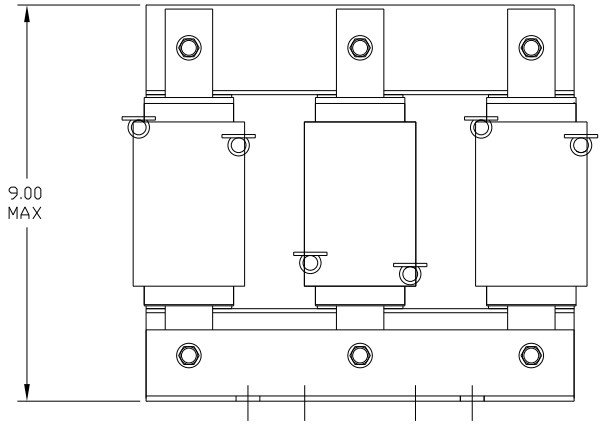
TCI PERFORMANCE AND PROTECTION FOR DRIVES.

TRANS-COIL, INC
MILWAUKEE WI
WWW.transcoil.com
800-824-8282

KDR Drive Reactor
CATALOG# MOTOR HP AMPS
3PH, 50/60Hz, 690V Max, [--- A Max.] RoHS

DATE CODE A1 A2 B1 B2 C1 C2

UL® CE



				TOLERANCES (EXCEPT AS NOTED)		7878 N. 86th STREET MILWAUKEE, WI 53224	
				DECIMAL			
				.XX ± .03		KDR DRIVE REACTOR 690V HIGH Z, FRAME H	
				.XXX ± .01			
				FRACTIONAL		DRN BY DSW DATE 02/13/07 DWG NO. B KDRH43HVDG	
				± 1/32		SCALE TO FIT	
				ANGULAR		APRVD. B SHT. 1 OF 1	
				± 1/2°			
NO	REVISION	DATE	BY				