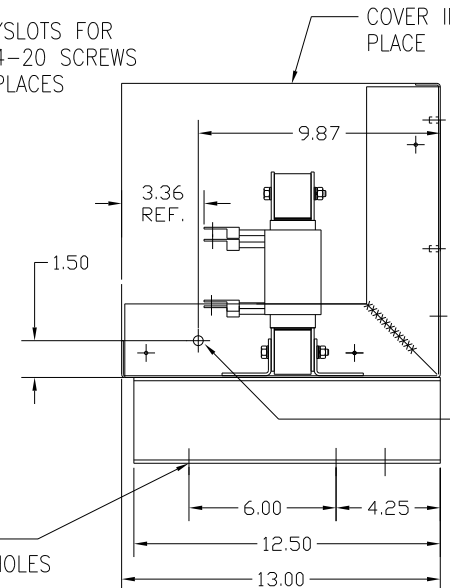
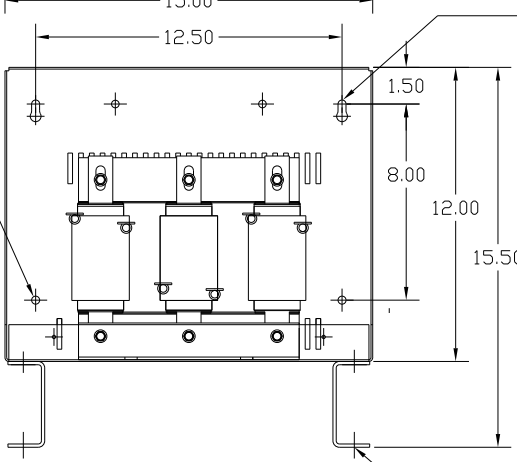
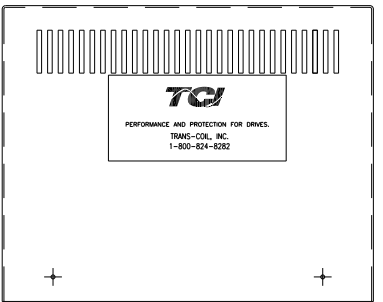
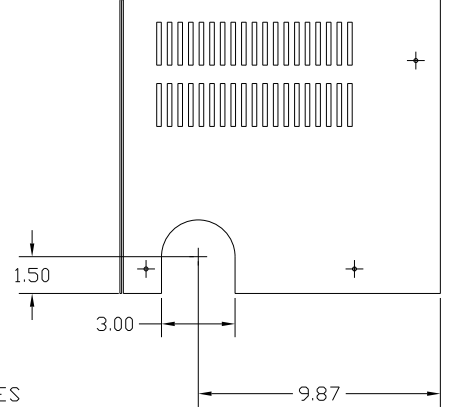
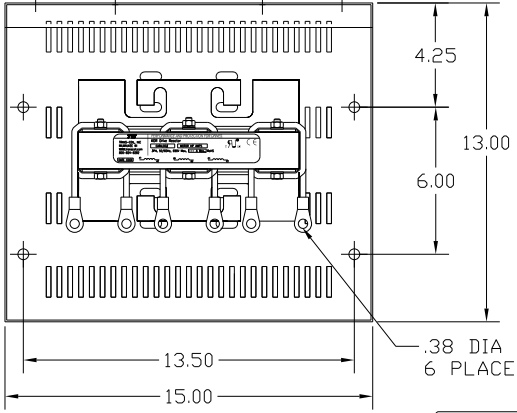
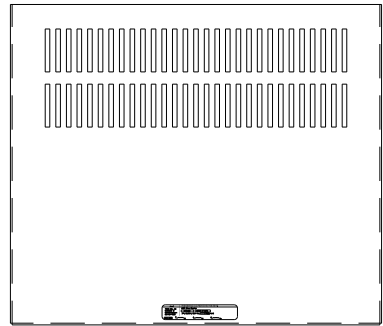


CATALOG NO	VOLTAGE	NEC MOTOR HP	NEC MOTOR CURRENT	WATTS LOSS	APPROX WT-LBS
KDRH43HC4V	690	60	62	205	80



.44 DIA. 4 MTG. HOLES

CUSTOMER IS RESPONSIBLE FOR INSTALLATION TO MEET ALL NATIONAL AND LOCAL ELECTRICAL CODES.

NO	REVISION	DATE	BY	TOLERANCES (EXCEPT AS NOTED)	DRN. BY	DATE	APRVD.	DWG. NO.	SCALE
				DECIMAL	DSW	2/17/12		B	
				.XX ± .03					
				.XXX ± .01					
				FRACTIONAL					
				± 1/32					
				ANGULAR					
				± 1/2°					

**TCI** 7878 N. 86th STREET MILWAUKEE, WI 53224

**KDR DRIVE REACTOR, ENCLOSED 690V HIGH Z, FRAME H**

DRN. BY: DSW DATE: 2/17/12 APRVD: B DWG. NO.: KDRH43HC4VDG SHT. 1 OF 1