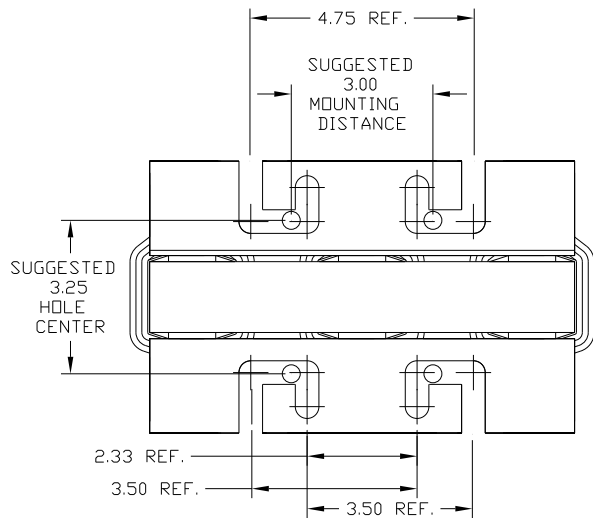
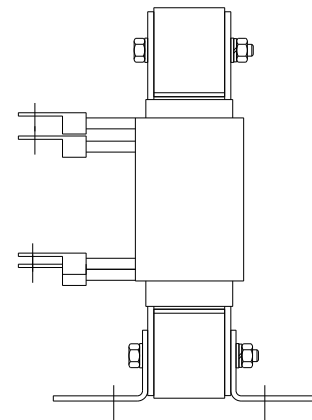
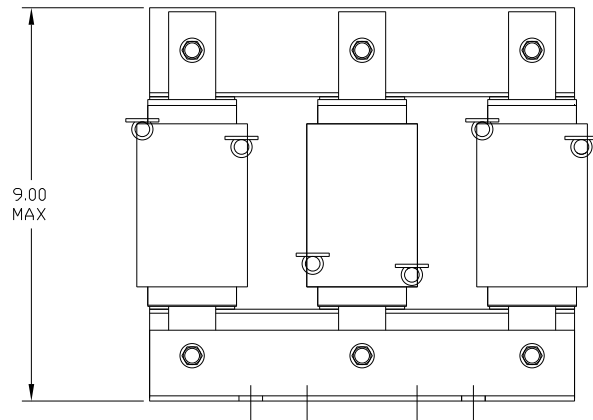


VOLTAGE	NEC MOTOR HP	CATALOG NO	NEC MOTOR CURRENT	AMPS MAX	APPROX WT-LBS	WATTS LOSS	RING LUG HOLE SIZE
690V	75	KDRH42HV	77	82	45	251	.38
HIGH-Z							

TCI PERFORMANCE AND PROTECTION FOR DRIVES.
KDR Drive Reactor
 TRANS-COIL, INC. MILWAUKEE WI WWW.transcoil.com 800-824-8282
 CATALOG# MOTOR HP AMPS 3PH, 50/60Hz, 690V Max, --- A Max., RoHS
 DATE CODE A1 A2 B1 B2 C1 C2



				TOLERANCES (EXCEPT AS NOTED)		7878 N. 86th STREET MILWAUKEE, WI 53224	
				DECIMAL			
				.XX ± .03		KDR DRIVE REACTOR 690V HIGH Z, FRAME H	
				.XXX ± .01			
				FRACTIONAL		DRN BY DSW DATE 02/13/07 DWG NO. B KDRH42HVDG	
				± 1/32		SCALE TO FIT	
				ANGULAR		APRVD. B SHT. 1 OF 1	
				± 1/2°			
NO	REVISION	DATE	BY				