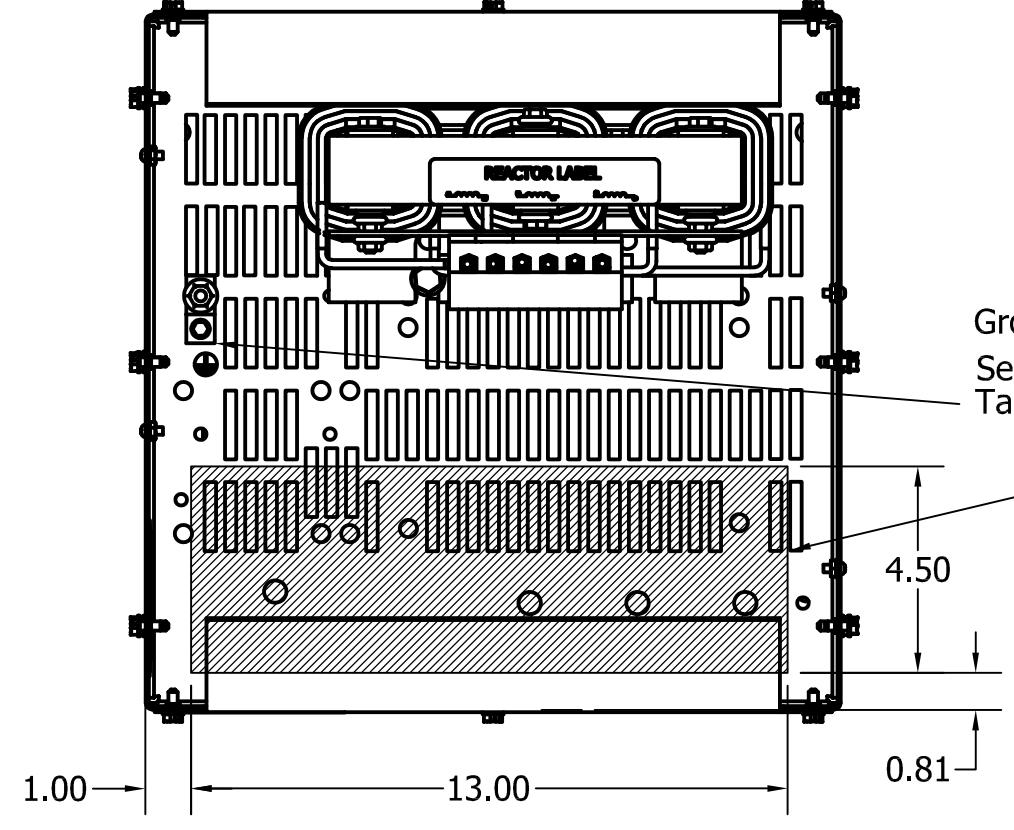
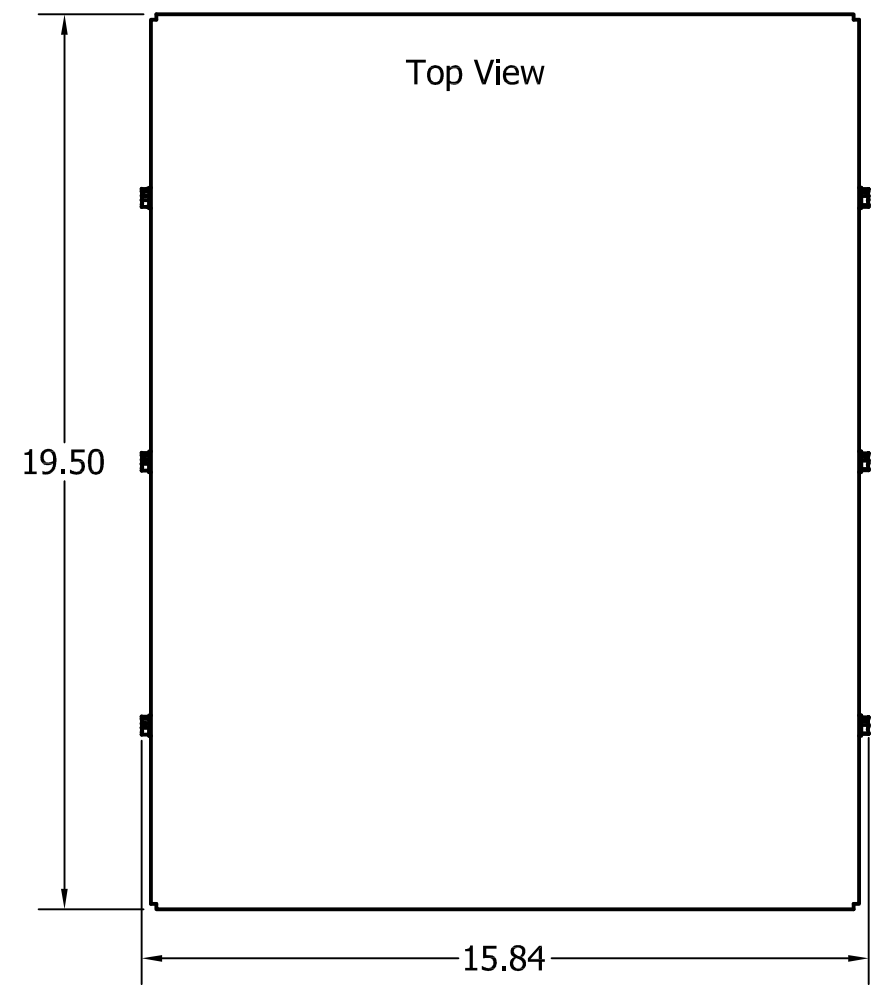
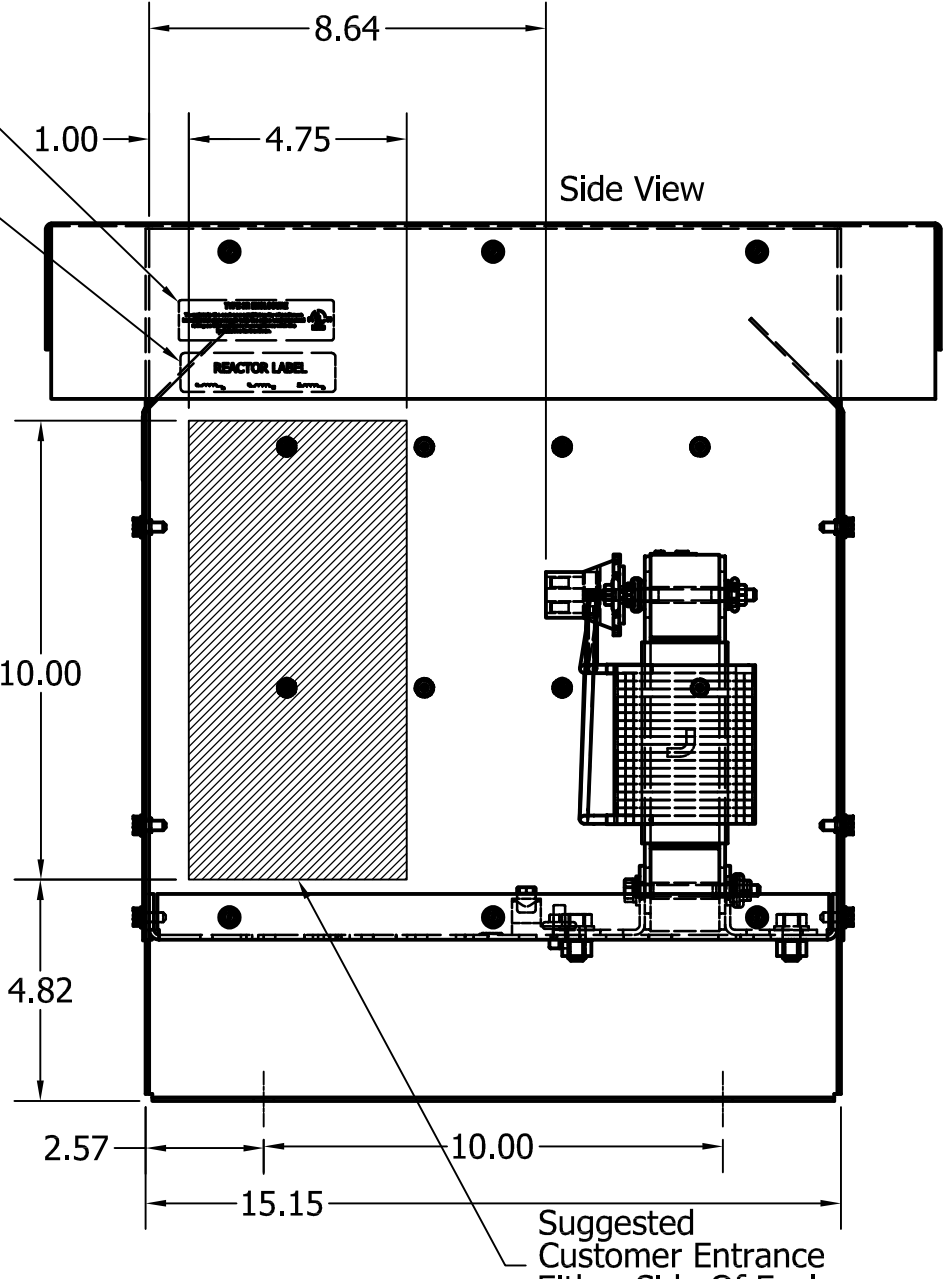
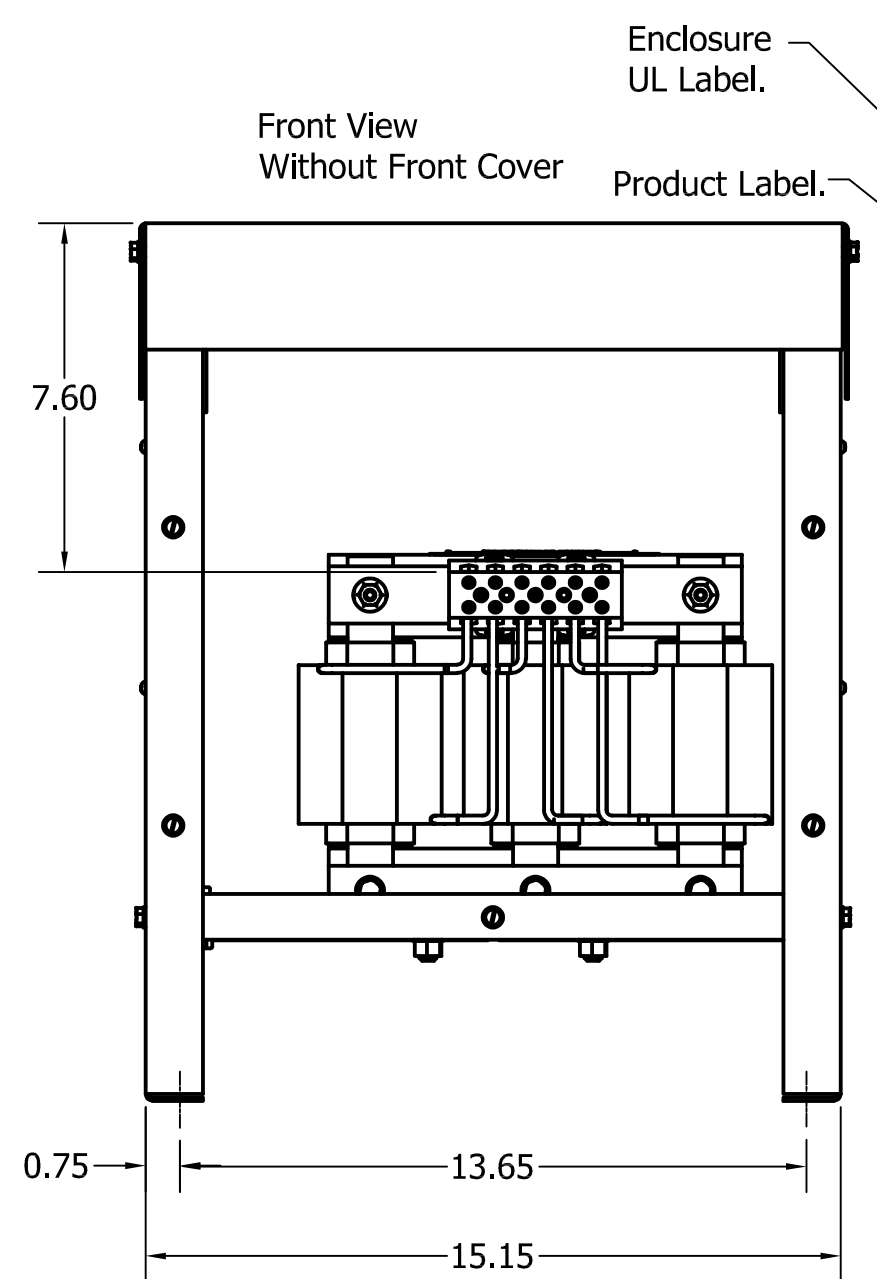
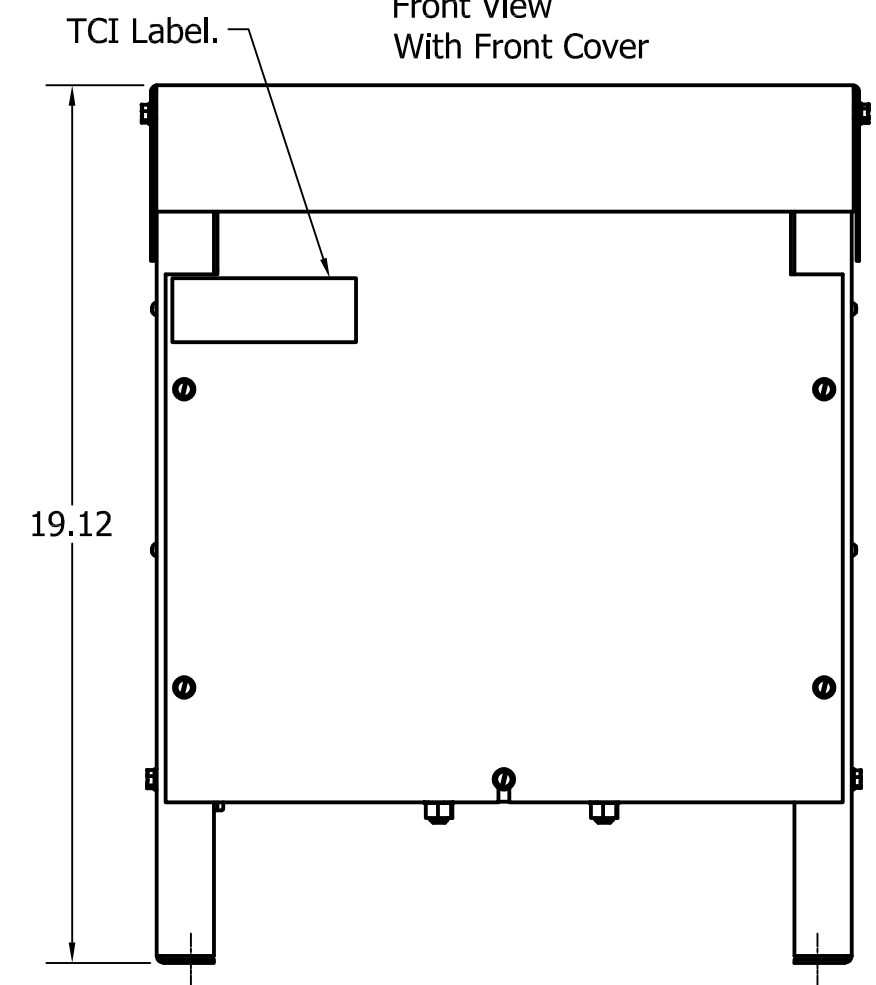


575 Rated Voltage, 600 Max Voltage, High Z, Impedance.						
Part Number	Horsepower (HP)	Motor Amps (A)	Maximum Amps (A)	Inductance (uH)	Weight (LBS)	Losses (W)
KDRH43HE3R	60	62	62	750	83	205
KDRH42HE3R	75	77	82	597	83	251

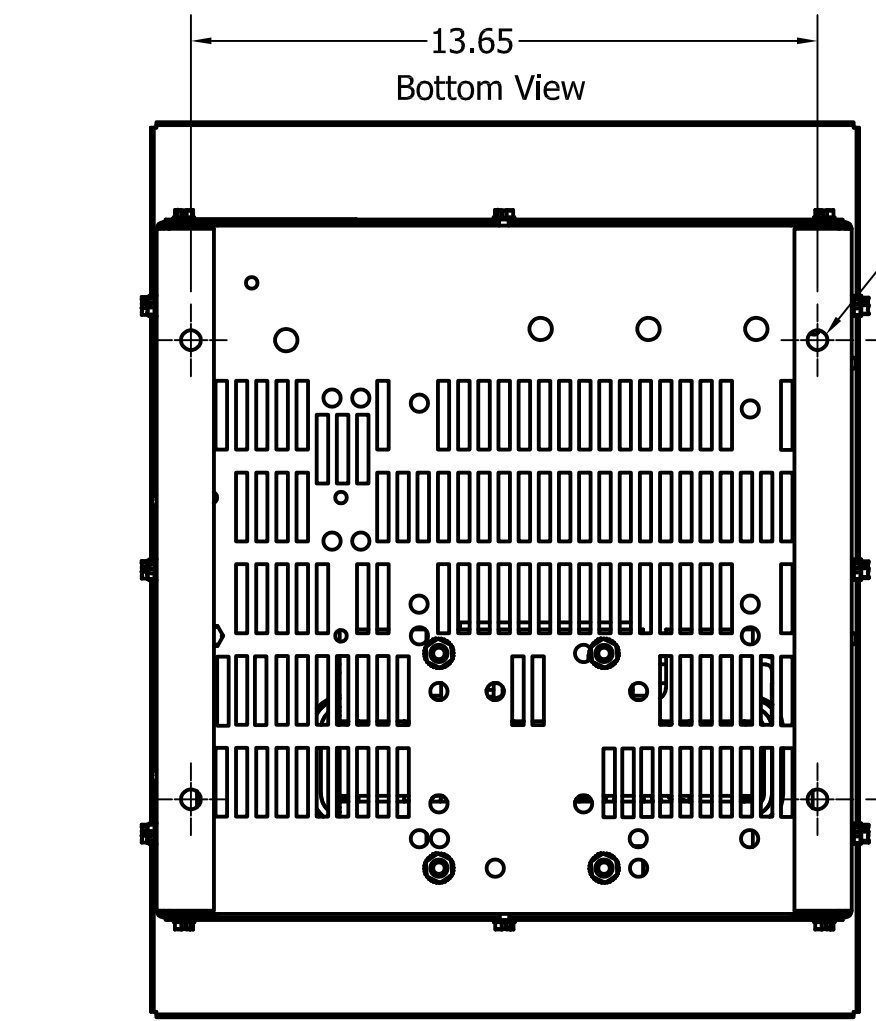


Ground Lug.
See IOM Manual, Part# 30895
Table S2/0, Wire Size And Torque.

Suggested Customer Wire Entrance Bottom Of Enclosure.
See Note: 7
(Non Removeable Panel)

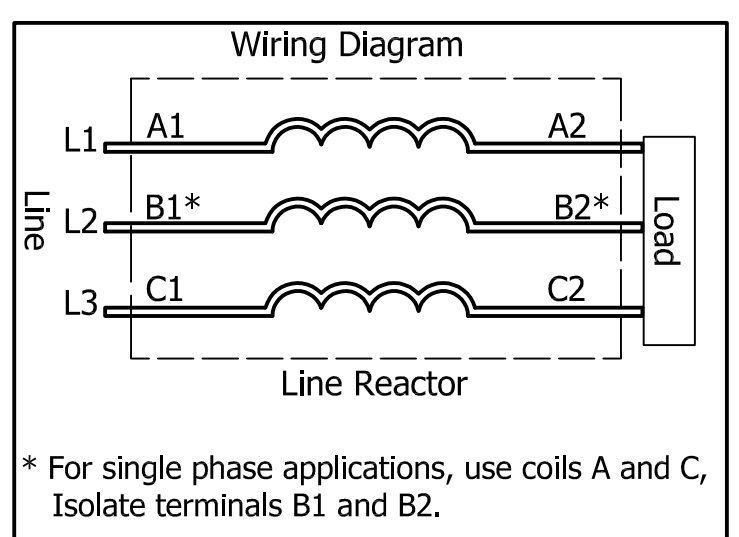


Suggested Customer Entrance Either Side Of Enclosure.
See Note: 7
(Non Removeable Panel)



0.44 Dia Mounting Holes, 4 Places, (Bottom of Enclosure)

Wire Range: 1- 4 AWG. Torque : 35 IN-LBS (3.95 Nm)
6- 14 AWG. Torque : 30 IN-LBS (3.39 Nm)
16- 20 AWG. Torque : 25 IN-LBS (2.28 Nm)
22 AWG. Torque : 20 IN-LBS (2.26 Nm)



* For single phase applications, use coils A and C, Isolate terminals B1 and B2.

TCL (800) 824-8282 transcoll.com

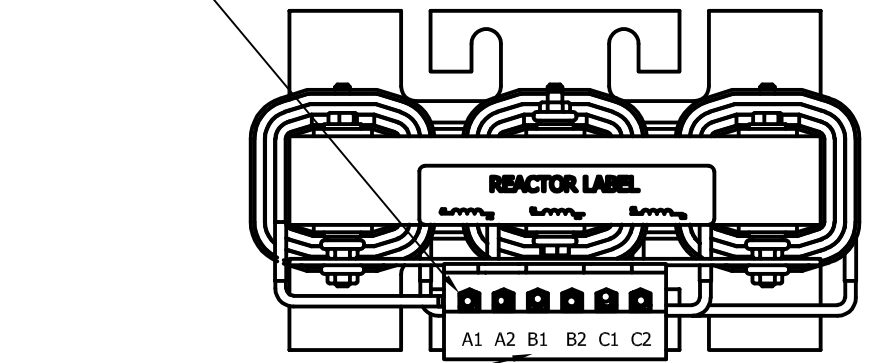
TCL, LLC
Germantown, WI, USA.
transcoll.com
800-824-8282

KDRUL Drive Reactor
KDR- Motor Amps —
3PH, 50/60Hz, —V Rated, 600V Max, —A Max
40C Amb Max, 135C Rise, RoHS
Manual #30895 LUG KIT #SLK—

UL LISTED CE

DATE CODE

- Notes:
1. For KDRUL Version, See Sheet 2
 2. UL file number: cULus Listed File E116124.
 3. KDR Drive Reactors Comply With The Thermal and Altitude Standards Set Forth by NEMA ST20-1992.
 4. KDR IOM Manual Part Number 30895
 5. NEC Current For 208/240 Volts, Horsepower Based On 208 Volts.
 6. Material(s) Shall be RoHS Compliant
 7. Customer Is Responsible For Installation To Meet All National And Local Electrical Codes.



TCL, LLC CLAIMS PROPRIETARY RIGHTS IN THE MATERIAL HEREIN DISCLOSED. IT IS SUPPLIED WITHOUT PREJUDICE TO ANY PATENT RIGHTS OF TCL AND MAY NOT BE REPRODUCED OR USED TO MANUFACTURE ANYTHING SHOWN THEREIN WITHOUT WRITTEN PERMISSION FROM TCL.

TOLERANCES (EXCEPT AS NOTED)			
DECIMAL			
.XX	± .25		
.XXX	± .10		
FRACTIONAL			
± 1/16			
ANGULAR			
± 1°			

TCL W132 N10611 Grant Drive
Germantown, WI 53022

KDR H Frame, Terminal Block, Enclosed
Type 3R, Reactor Drawing

DRN BY: DSW DATE: 4/24/18
SCALE: 1/4.5

107627DG

SIZE C

SHT.1 OF 2