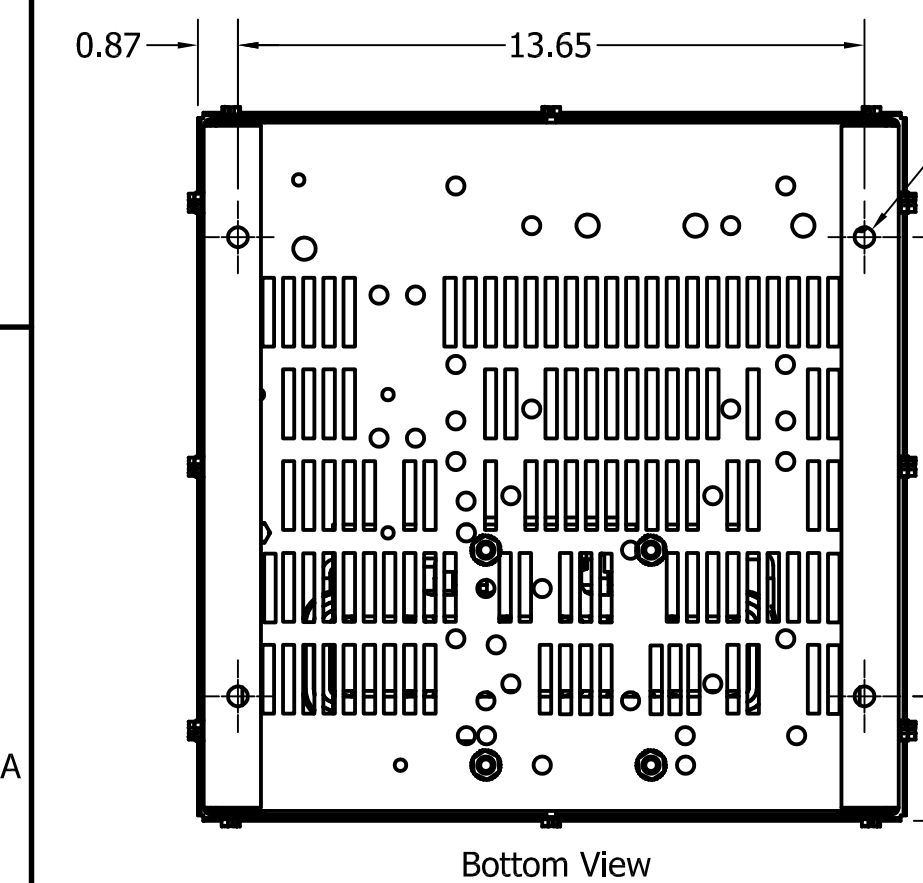
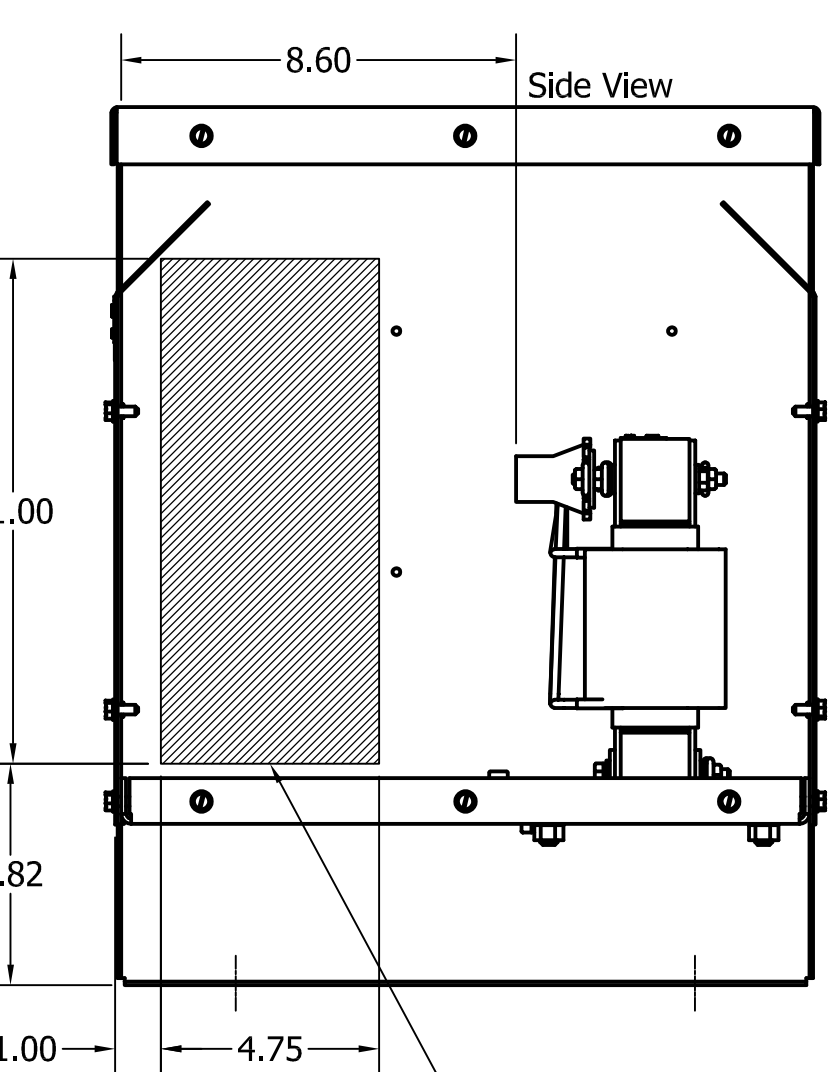
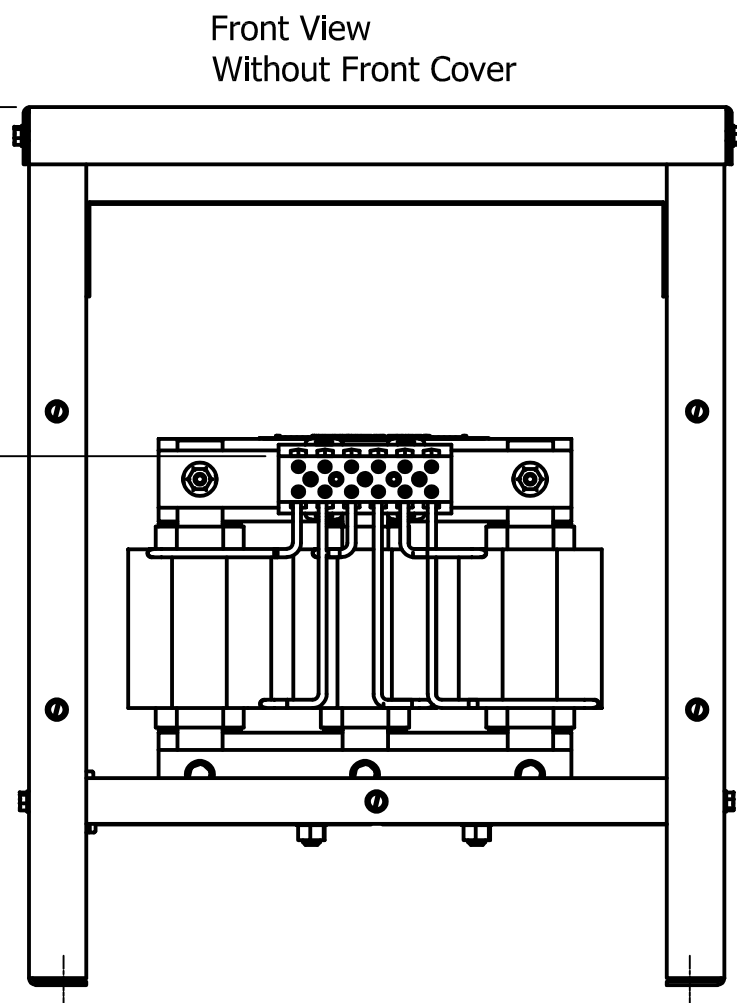
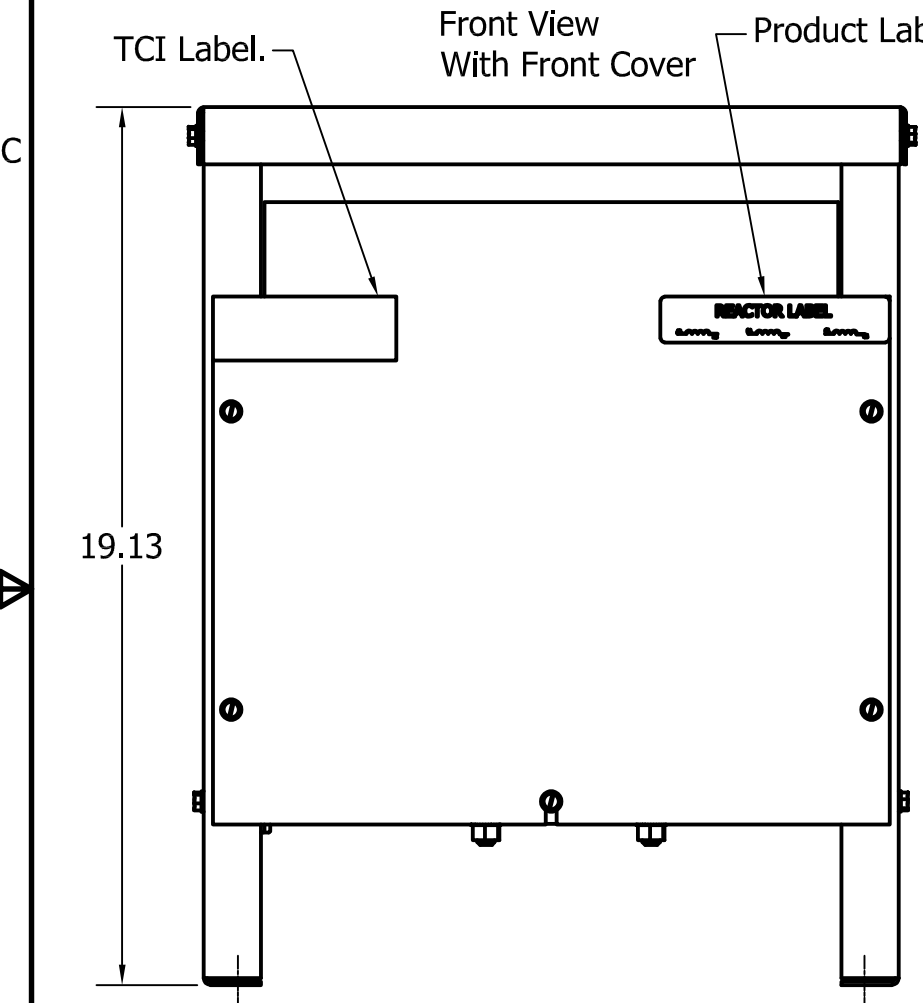
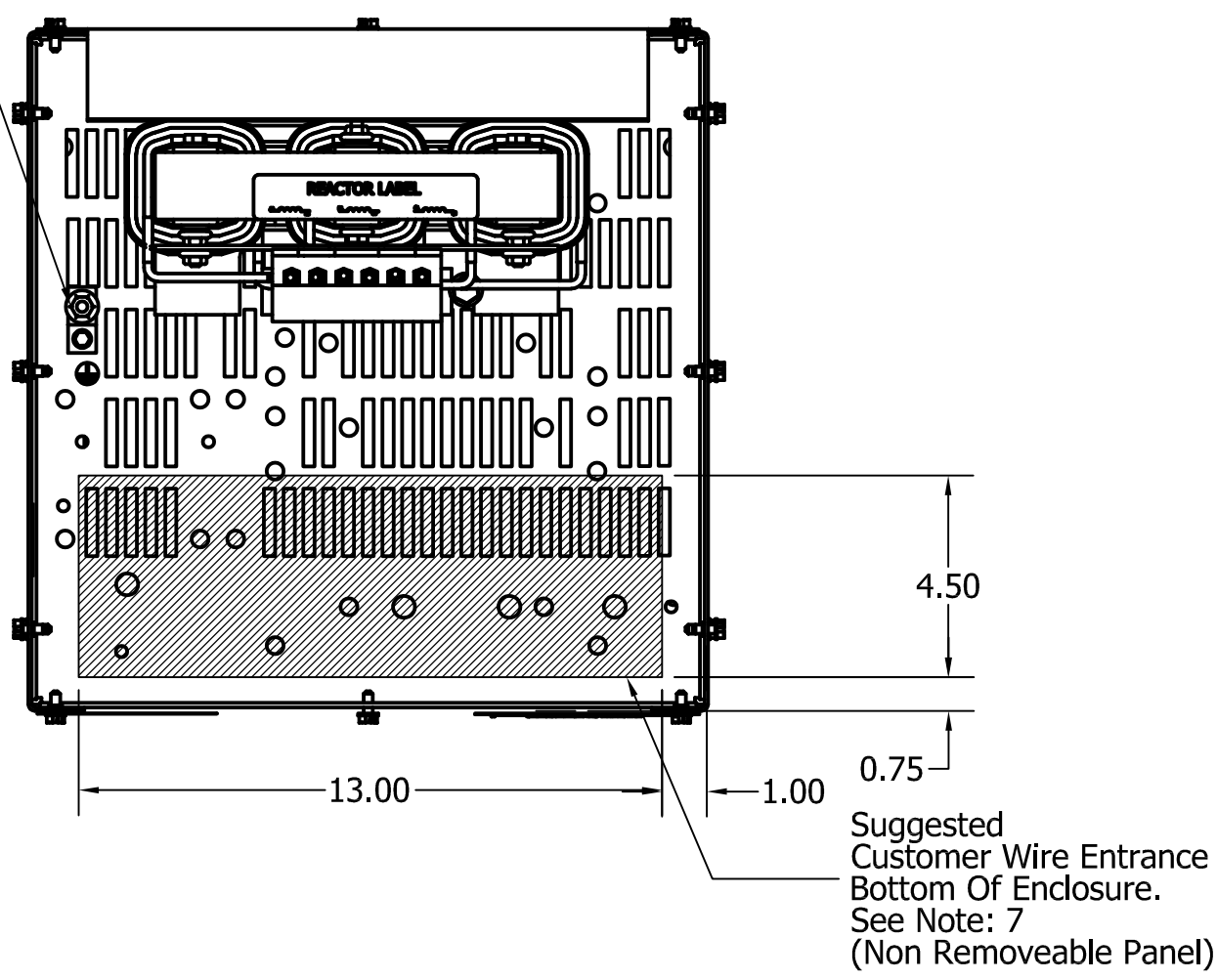
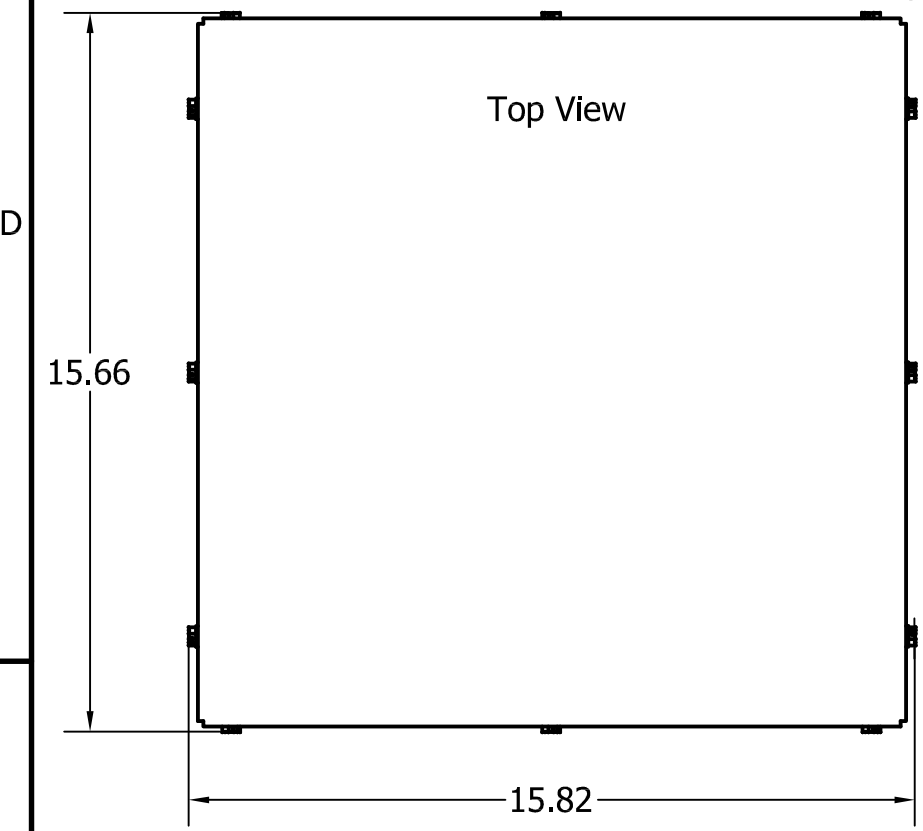


Ground Lug.
See IOM Manual, Part# 30895
Table S2/0, Wire Size And Torque.

575 Rated Voltage, 600 Max Voltage, High Z, Impedance.						
Part Number	Horsepower (HP)	Motor Amps (A)	Maximum Amps (A)	Inductance (uH)	Weight (LBS)	Losses (W)
KDRH43HE01	60	62	62	750	82	205
KDRH42HE01	75	77	82	597	82	251



0.44 Dia Mounting Holes, 4 Places, (Bottom of Enclosure)

Suggested Customer Entrance Either Side Of Enclosure. See Note: 7 (Non Removeable Panel)

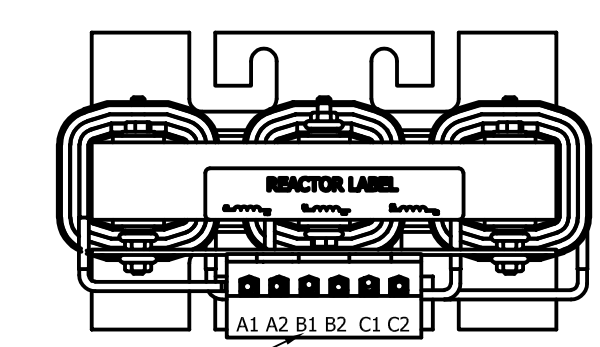
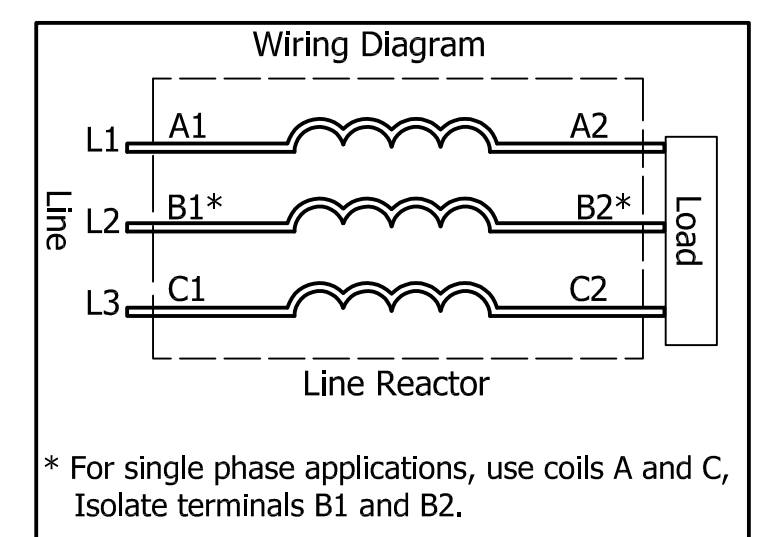
TCI (800) 824-8282 transcoll.com

TCI, LLC
Germantown, WI, USA.
transcoll.com
800-824-8282

KDRUL Drive Reactor
KDR- Motor Amps —
3PH, 50/60Hz, —V Rated, 600V Max, —A Max, RoHS
40C Amb Max, 135C Rise
Manual #30895

UL LISTED
2ND CONT. EQ. 1992

DATE CODE A1 A2 B1 B2 C1 C2



- Notes:
1. For KDRUL Version, See Sheet 2
 2. UL file number: cULus Listed File E116124.
 3. KDR Drive Reactors Comply With The Thermal and Altitude Standards Set Forth by NEMA ST20-1992.
 4. KDR IOM Manual Part Number 30895
 5. NEC Current For 208/240 Volts, Horsepower Based On 208 Volts.
 6. Material(s) Shall be RoHS Compliant
 7. Customer Is Responsible For Installation To Meet All National And Local Electrical Codes.

TCI, LLC CLAIMS PROPRIETARY RIGHTS IN THE MATERIAL HEREIN DISCLOSED. IT IS SUPPLIED WITHOUT PREJUDICE TO ANY PATENT RIGHTS OF TCI AND MAY NOT BE REPRODUCED OR USED TO MANUFACTURE ANYTHING SHOWN THEREIN WITHOUT WRITTEN PERMISSION FROM TCI.				TOLERANCES (EXCEPT AS NOTED) DECIMAL .XX ± .25 .XXX ± .10 FRACTIONAL ± 1/16 ANGULAR ± 1°		W132 N10611 Grant Drive Germantown, WI 53022 KDR H Frame, Terminal Block, Enclosed Type 1, Reactor Drawing DRN BY: DSW DATE: 3/15/18 SCALE: 1/4.5 APRVD: SIZE C 107626DG SHT.1 OF 2	
NO	REVISION	DATE	BY	NO	REVISION	DATE	BY