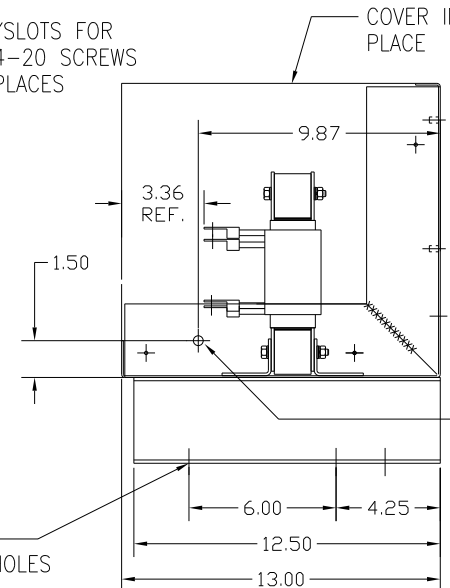
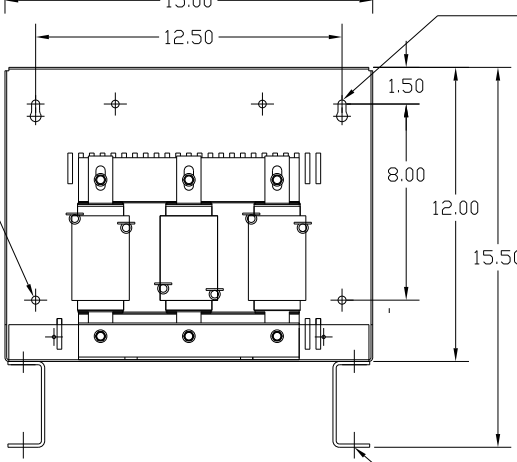
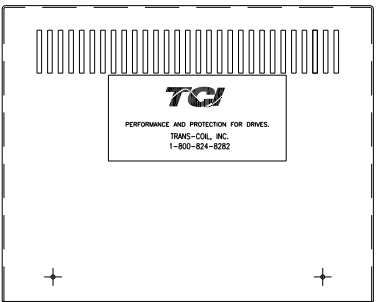
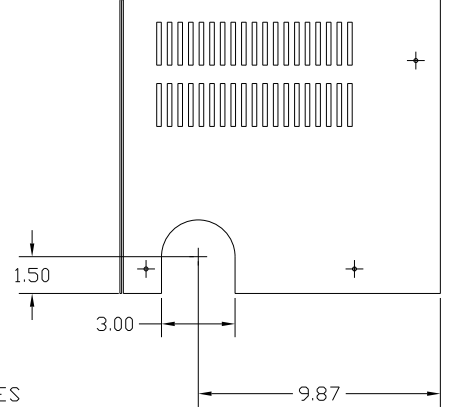
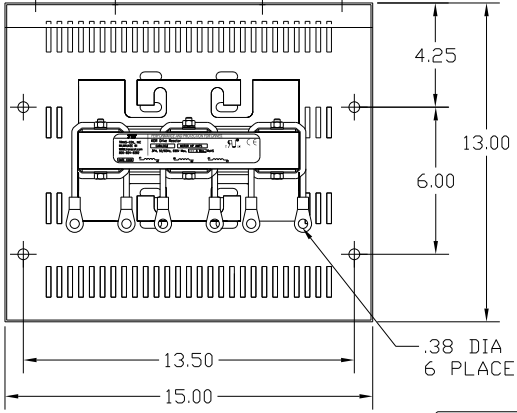
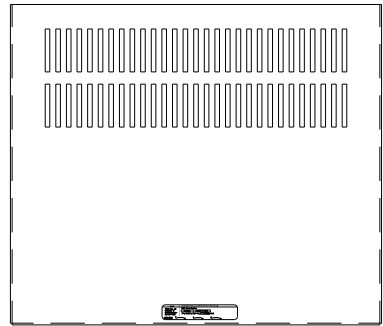


CATALOG NO	VOLTAGE	NEC MOTOR HP	NEC MOTOR CURRENT	WATTS LOSS	APPROX WT-LBS
KDRH42HC4V	690	75	77	251	80



.44 DIA. 4 MTG. HOLES

CUSTOMER IS RESPONSIBLE FOR INSTALLATION TO MEET ALL NATIONAL AND LOCAL ELECTRICAL CODES.

NO	REVISION	DATE	BY	TOLERANCES (EXCEPT AS NOTED)	SCALE	APRVD	DATE	DWG. NO.	SHT. 1 OF 1
				DECIMAL .XX ± .03 .XXX ± .01			2/17/12	B	
				FRACTIONAL ± 1/32					
				ANGULAR ± 1/2°					

TCI 7878 N. 86th STREET MILWAUKEE, WI 53224

KDR DRIVE REACTOR, ENCLOSED 690V HIGH Z, FRAME H

DRN. BY DSW DATE 2/17/12 DWG. NO. B KDRH42HC4VDG