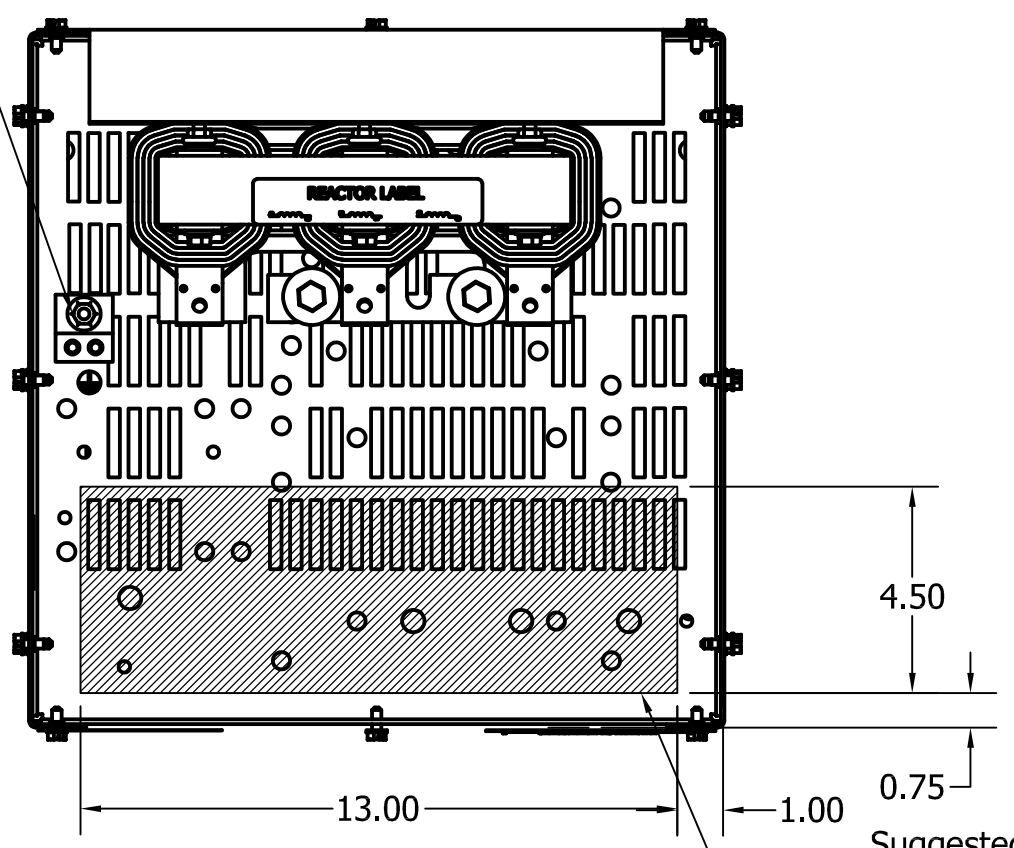
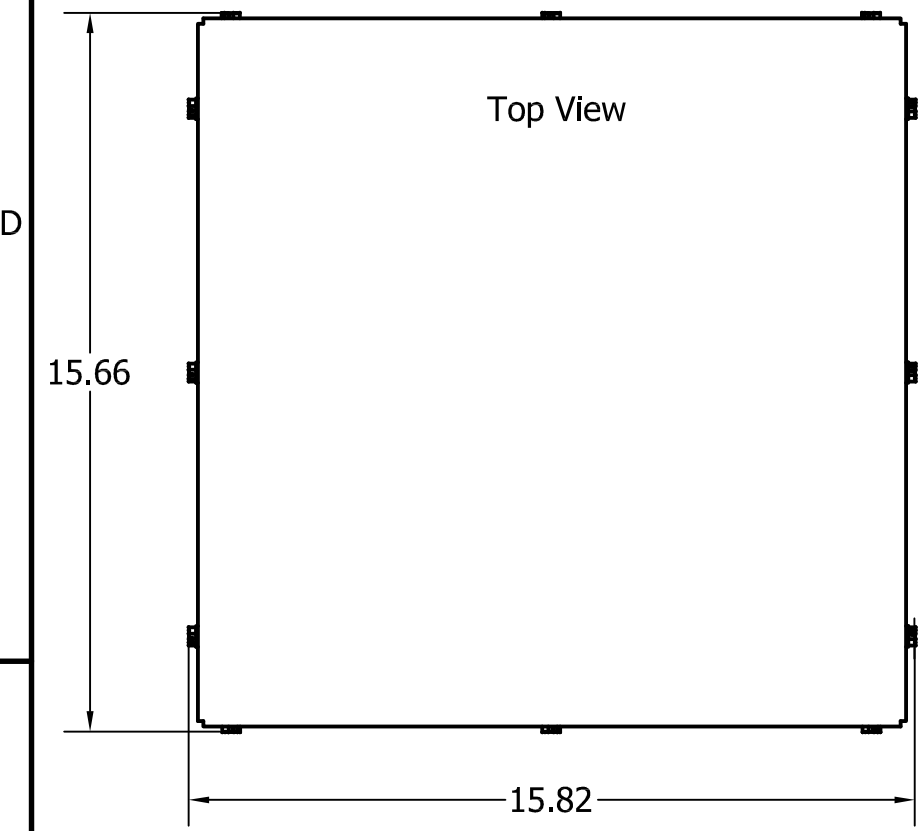
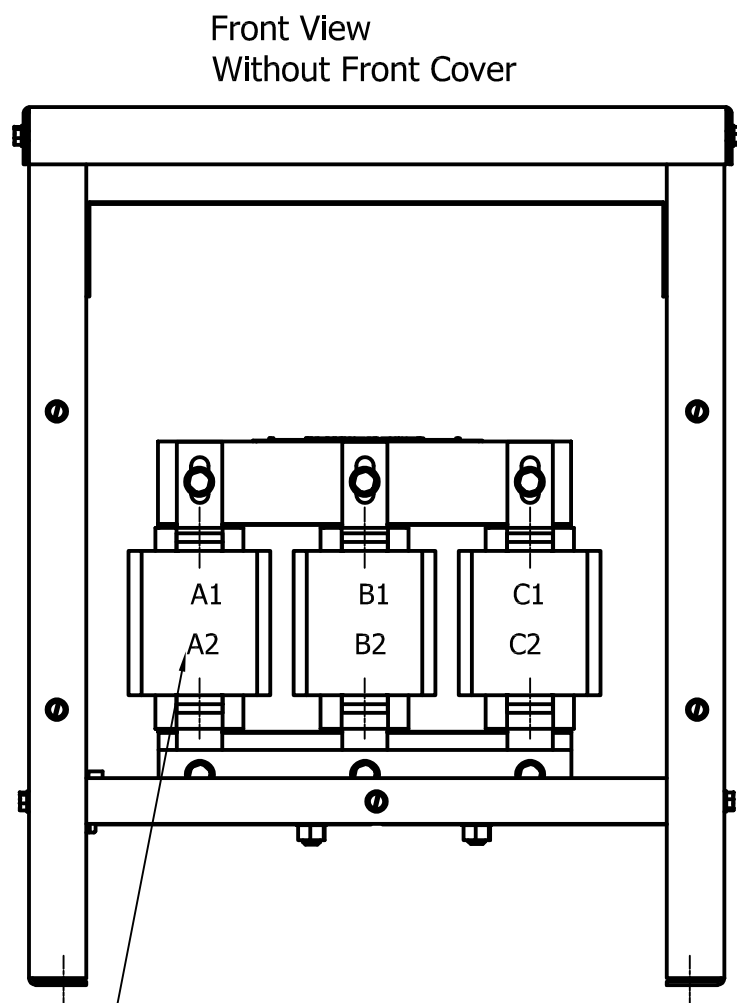
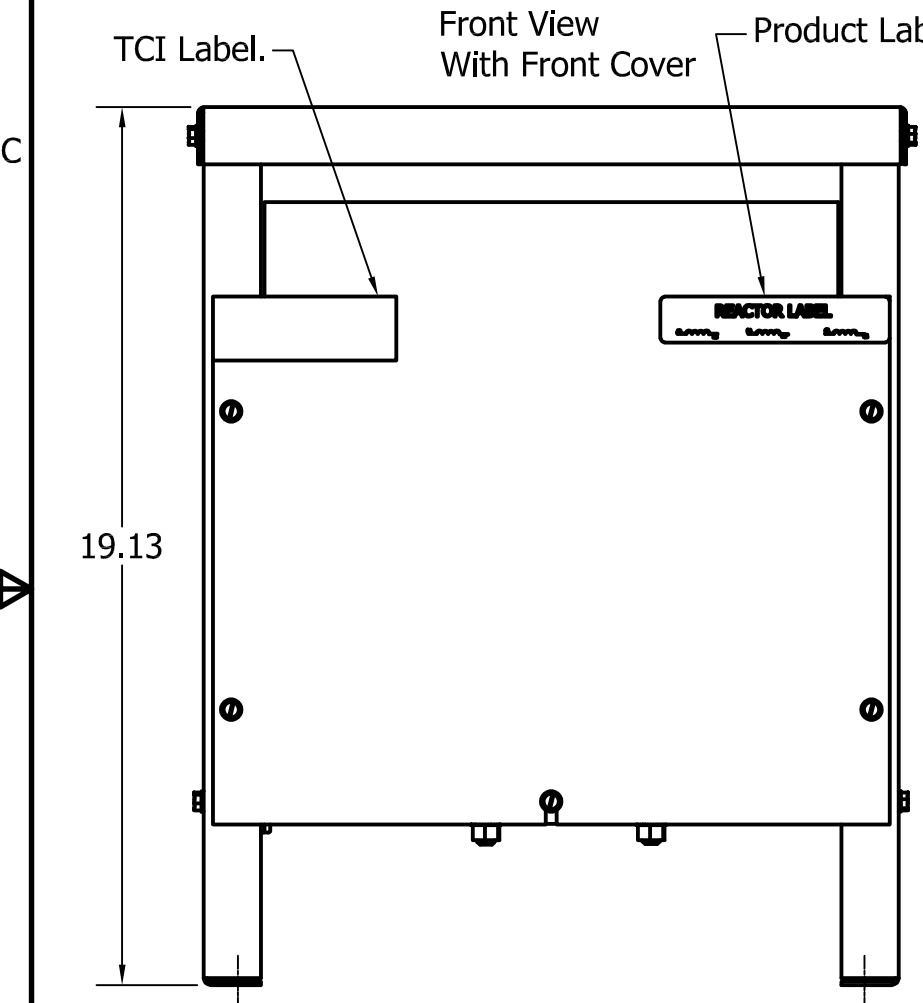


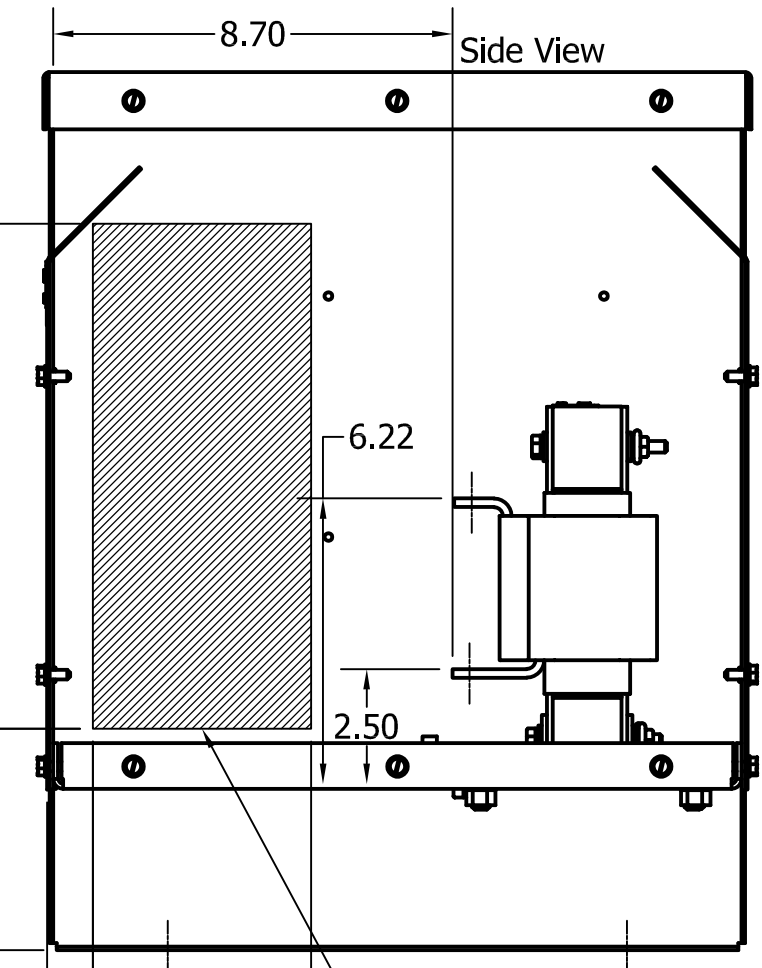
Ground Lug.
See IOM Manual, Part# 30895
Table S2/0, Wire Size And Torque.



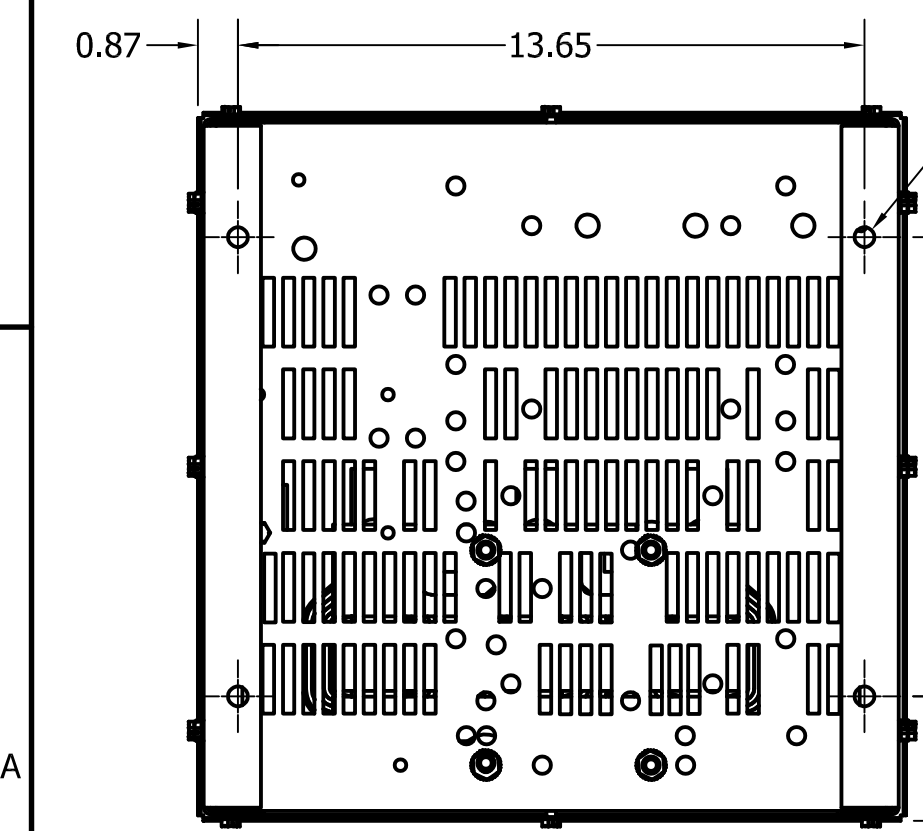
Suggested
Customer Wire Entrance
Bottom Of Enclosure.
See Note: 7
(Non Removeable Panel)



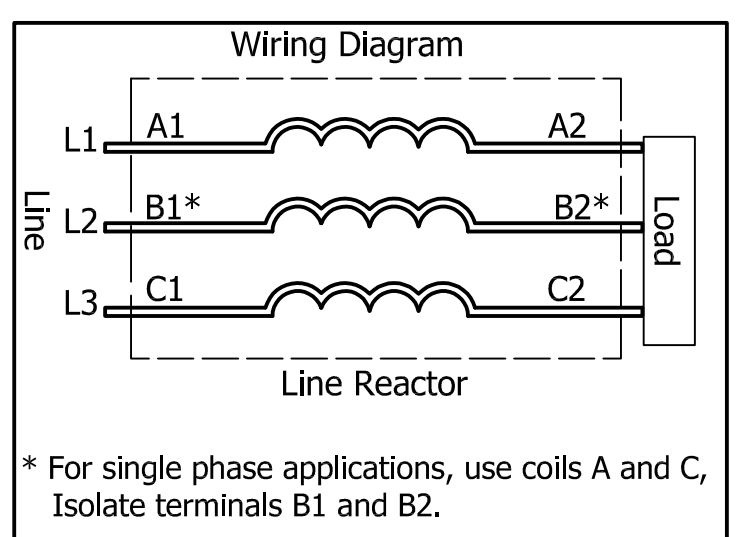
Markings On Coils
For Reference Only.



Suggested
Customer Entrance
Either Side Of Enclosure.
See Note: 7
(Non Removeable Panel)



0.44 Dia Mounting Holes,
4 Places, (Bottom of Enclosure)



* For single phase applications, use coils A and C,
Isolate terminals B1 and B2.

208/240 Rated Voltage, 600 Max Voltage, High Z, Impedance.

Part Number	Horsepower (HP)	Motor Amps (A)	Maximum Amps (A)	Inductance (uH)	Weight (LBS)	Losses (W)	Available Lug Kit	Terminal Hole Diameter (Inches)
KDRH24H0E1	50	143	143	143	75	201	SLK11	0.34
KDRH23HE01	60	169	169	106	82	220	SLK21	0.28

480 Rated Voltage, 600 Max Voltage, High Z, Impedance.

Part Number	Horsepower (HP)	Motor Amps (A)	Maximum Amps (A)	Inductance (uH)	Weight (LBS)	Losses (W)	Available Lug Kit	Terminal Hole Diameter (Inches)
KDRH2HE01	75	96	100	315	89	212	SLK10	0.28

480 Rated Voltage, 600 Max Voltage, Low Z, Impedance.

Part Number	Horsepower (HP)	Motor Amps (A)	Maximum Amps (A)	Inductance (uH)	Weight (LBS)	Losses (W)	Available Lug Kit	Terminal Hole Diameter (Inches)
KDRH3LE01	100	124	150	180	77	225	SLK21	0.28
KDRH2LE01	125	156	165	117	77	254	SLK21	0.28

575 Rated Voltage, 600 Max Voltage, Low Z, Impedance.

Part Number	Horsepower (HP)	Motor Amps (A)	Maximum Amps (A)	Inductance (uH)	Weight (LBS)	Losses (W)	Available Lug Kit	Terminal Hole Diameter (Inches)
KDRH43LE01	125	125	125	203	82	261	SLK10	0.28
KDRH44LE01	150	144	144	215	82	253	SLK21	0.28

480 Rated Voltage, 600 Max Voltage, Output

Part Number	Horsepower (HP)	Motor Amps (A)	Maximum Amps (A)	Inductance (uH)	Weight (LBS)	Losses (W)	Available Lug Kit	Terminal Hole Diameter (Inches)
KDRH1PE01	100	124	130	80	77	117	SLK10	0.28

575 Rated Voltage, 600 Max Voltage, Output

Part Number	Horsepower (HP)	Motor Amps (A)	Maximum Amps (A)	Inductance (uH)	Weight (LBS)	Losses (W)	Available Lug Kit	Terminal Hole Diameter (Inches)
KDRH31PE01	125	125	130	146	77	117	SLK10	0.28

TCI
TCI, LLC
Germantown, WI, USA
transcoil.com
800-824-8282

(800) 824-8282 transcoil.com
KDRUL Drive Reactor
KDR- Motor Amps —
3PH, 50/60Hz, —V Rated, 600V Max, —A Max
40C Amb Max, 135C Rise, RoHS
Manual #30895 LUG KIT #SLK—

UL LISTED
CE

DATE CODE A1 A2 B1 B2 C1 C2

- Notes:
- For KDRUL Version, See Sheet 2
 - UL file number: cULus Listed File E116124.
 - KDR Drive Reactors Comply With The Thermal and Altitude Standards Set Forth by NEMA ST20-1992.
 - KDR IOM Manual Part Number 30895
 - NEC Current For 208/240 Volts, Horsepower Based On 208 Volts.
 - Material(s) Shall be RoHS Compliant
 - Customer Is Responsible For Installation To Meet All National And Local Electrical Codes.

TCI, LLC CLAIMS PROPRIETARY RIGHTS IN THE MATERIAL HEREIN DISCLOSED. IT IS SUPPLIED WITHOUT PREJUDICE TO ANY PATENT RIGHTS OF TCI AND MAY NOT BE REPRODUCED OR USED TO MANUFACTURE ANYTHING SHOWN THEREIN WITHOUT WRITTEN PERMISSION FROM TCI.				TOLERANCES (EXCEPT AS NOTED) DECIMAL .XX ± .25 .XXX ± .10 FRACTIONAL ± 1/16 ANGULAR ± 1°		 W132 N10611 Grant Drive Germantown, WI 53022 KDR H Frame, Copper Bus, Enclosed Type 1, Reactor Drawing DRN BY DSW DATE: 3/21/18 107611DG SCALE: 1/3 APRVD: SIZE C SHT.1 OF 4	
A	As Designed	3/21/18	DSW				
NO	REVISION	DATE	BY				