

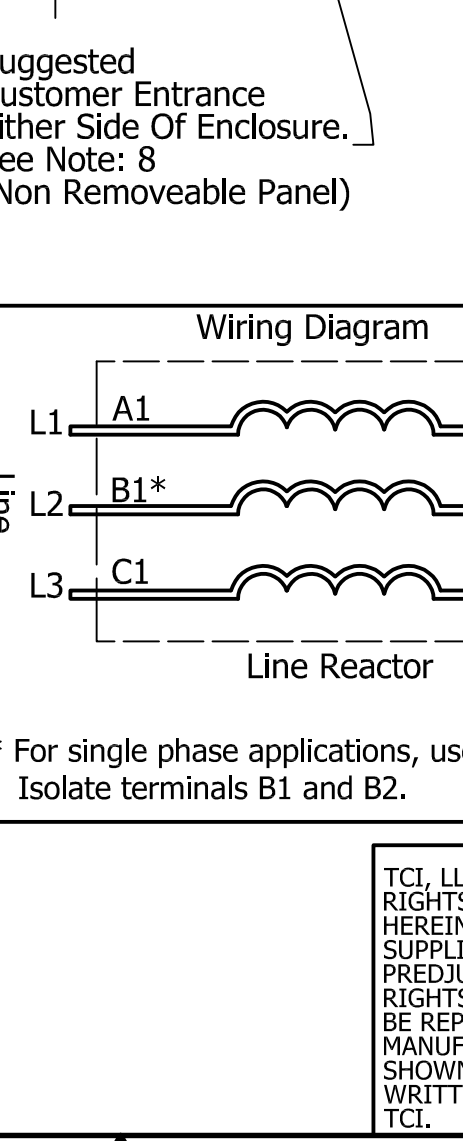
Ground Lug.
See IOM Manual, Part# 30895
Table S2/0, Wire Size And Torque.

Suggested
Customer Wire Entrance
Bottom Of Enclosure.
See Note: 8
(Non Removeable Panel)

Enclosure
UL Label

Product Label.

Suggested
Customer Entrance
Either Side Of Enclosure.
See Note: 8
(Non Removeable Panel)



208/240 Rated Voltage, 600 Max Voltage, Low Z, Impedance.								
Part Number	Horsepower (HP)	Motor Amps (A)	Maximum Amps (A)	Inductance (uH)	Weight (LBS)	Losses (W)	Available Lug Kit	Terminal Hole Diameter (Inches)
KDRH22LE3R	60	169	180	64.2	116	209	SLK21	0.28

480 Rated Voltage, 600 Max Voltage, Low Z, Impedance.								
Part Number	Horsepower (HP)	Motor Amps (A)	Maximum Amps (A)	Inductance (uH)	Weight (LBS)	Losses (W)	Available Lug Kit	Terminal Hole Diameter (Inches)
KDRH1LE3R	150	180	185	103	110	299	SLK11	0.34

TCI (800) 824-8282 transcoil.com

KDRUL Drive Reactor
KDR- Motor Amps —
3PH, 50/60Hz, —V Rated, 600V Max, —A Max
40C Amb Max, 155C Rise, RoHS
Manual #30895 LUG KIT #SLK—

UL LISTED CE

TCI, LLC
Germantown, WI, USA
transcoil.com
800-824-8282

DATE CODE

- Notes:
1. KDR Lug Kits sold separately. Contact TCI.
 2. For KDRUL Version With Terminal Lugs Attached, See Sheet 4
 3. UL file number: cULus Listed File E116124.
 4. KDR Drive Reactors Comply With The Thermal and Altitude Standards Set Forth by NEMA ST20-1992.
 5. KDR IOM Manual Part Number 30895
 6. NEC Current For 208/240 Volts, Horsepower Based On 208 Volts.
 7. Material(s) Shall be RoHS Compliant
 8. Customer Is Responsible For Installation To Meet All National And Local Electrical Codes.

TCI, LLC CLAIMS PROPRIETARY RIGHTS IN THE MATERIAL HEREIN DISCLOSED. IT IS SUPPLIED WITHOUT PREDJUDICE TO ANY PATENT RIGHTS OF TCI AND MAY NOT BE REPRODUCED OR USED TO MANUFACTURE ANYTHING SHOWN THEREIN WITHOUT WRITTEN PERMISSION FROM TCI.

TOLERANCES (EXCEPT AS NOTED)
DECIMAL
.XX ± .25
.XXX ± .10
FRACTIONAL
± 1/16
ANGULAR
± 1°

W132 N10611 Grant Drive
Germantown, WI 53022

KDR H Frame, Copper Bus, Enclosed
Type 3R, Reactor Drawing

DRN BY: DSW DATE: 4/24/18
SCALE: 1/5

107619DG
SIZE C

NO REVISION DATE BY

SHT 3 OF 4