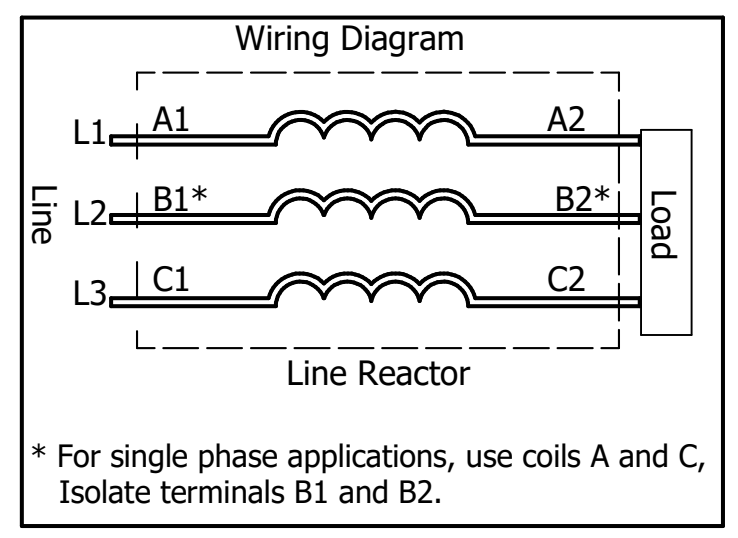


(Customer Connections) Markings On Coils For Reference Only.



575 Rated Voltage, 600 Max Voltage, High Z, Impedance.								
Part Number	Horsepower (HP)	Motor Amps (A)	Maximum Amps (A)	Inductance (uH)	Weight (LBS)	Available Lug Kit	Terminal Hole Size (Inches)	Losses (W)
KDRG44H	125	125	130	371	65	SLK10	0.34	381

480 Rated Voltage, 600 Max Voltage, High Z, Impedance.								
Part Number	Horsepower (HP)	Motor Amps (A)	Maximum Amps (A)	Inductance (uH)	Weight (LBS)	Available Lug Kit	Terminal Hole Size (Inches)	Losses (W)
KDRG3H	125	156	160	209	57	SLK11	0.34	274

TCI (800) 824-8282 transcoil.com

TCI, LLC
Germantown, WI, USA.
transcoil.com
800-824-8282

KDRUL Drive Reactor
KDR- Motor Amps —
3PH, 50/60Hz, —V Rated, 600V Max, —A Max
40C Amb Max, 155C Rise, RoHS
Manual #30895 LUG KIT #SLK—

UL LISTED CE
AND CONF. BY, NEMA

DATE CODE

- Notes:
1. KDR Lug Kits sold separately. Contact TCI.
 2. For KDRUL Version With Terminal Lugs Attached, See Sheet 2
 3. UL file number: cULus Listed File E116124.
 4. KDR Drive Reactors Comply With The Thermal and Altitude Standards Set Forth by NEMA ST20-1992.
 5. KDR IOM Manual Part Number 30895
 6. NEC Current For 208/240 Volts, Horsepower Based On 208 Volts.
 7. Material(s) Shall be RoHS Compliant
 8. Customer Is Responsible For Installation To Meet All National And Local Electrical Codes.

TCI, LLC CLAIMS PROPRIETARY RIGHTS IN THE MATERIAL HEREIN DISCLOSED. IT IS SUPPLIED WITHOUT PREJUDICE TO ANY PATENT RIGHTS OF TCI AND MAY NOT BE REPRODUCED OR USED TO MANUFACTURE ANYTHING SHOWN THEREIN WITHOUT WRITTEN PERMISSION FROM TCI.

A Combined Drawings		3/15/17	DSW	TOLERANCES (EXCEPT AS NOTED)	
NO REVISION		DATE	BY	DECIMAL	XX ± .25
				ANGULAR	.XXX ± .10
				FRACTIONAL	± 1/16
				SCALE: 1/2	APRVD: DATE: 3/15/18
					SIZE: 107533DG
					SHT. 1 OF 6

TCI W132 N10611 Grant Drive
Germantown, WI 53022

KDR G Frame, Copper Bus
Reactor Drawing