

575 Rated Voltage, 600 Max Voltage, High Z, Impedance.

Part Number	Horsepower (HP)	Motor Amps (A)	Maximum Amps (A)	Inductance (uH)	Weight (LBS)	Available Lug Kit	Losses (W)	Terminal Hole Size (Inches)
KDRG44HE01	125	125	130	371	135	SLK10	381	0.34

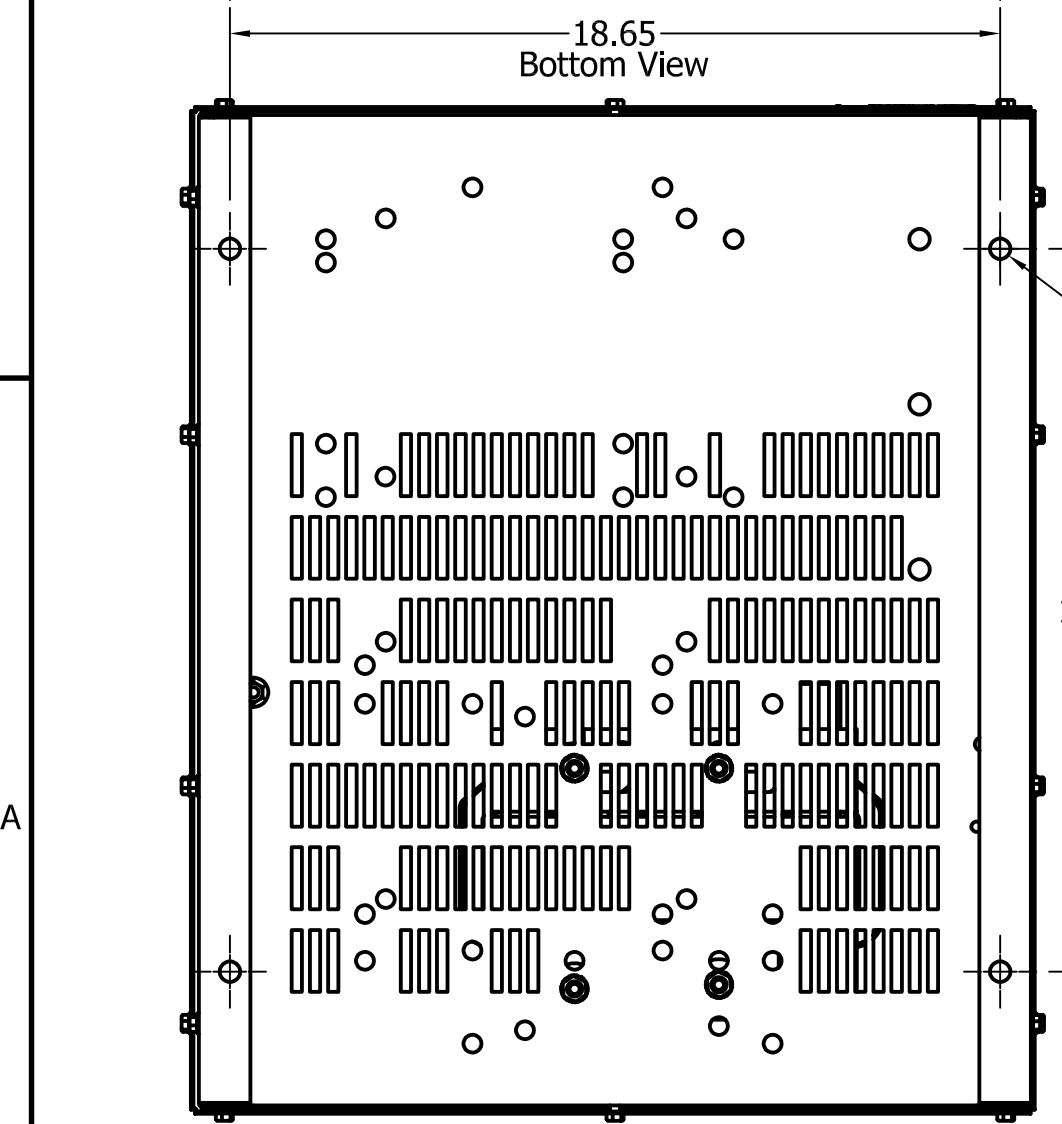
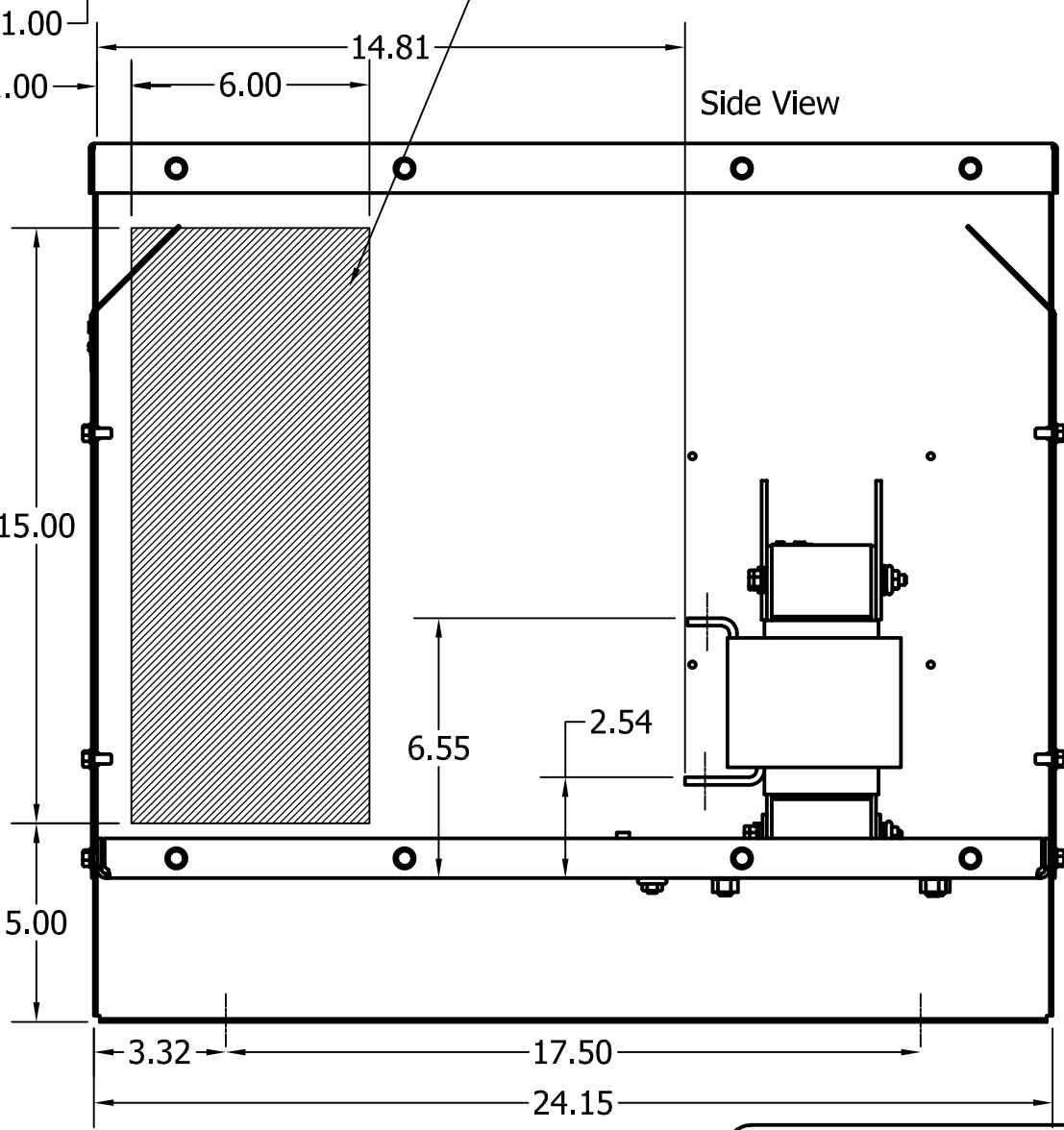
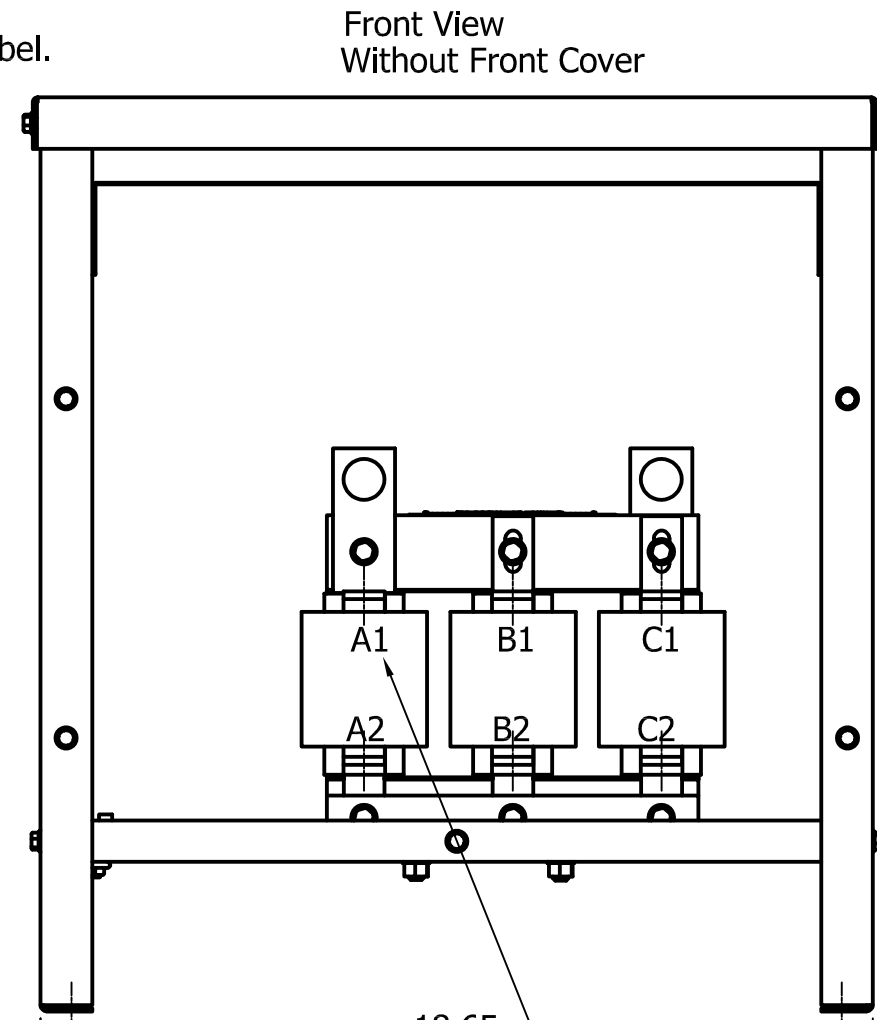
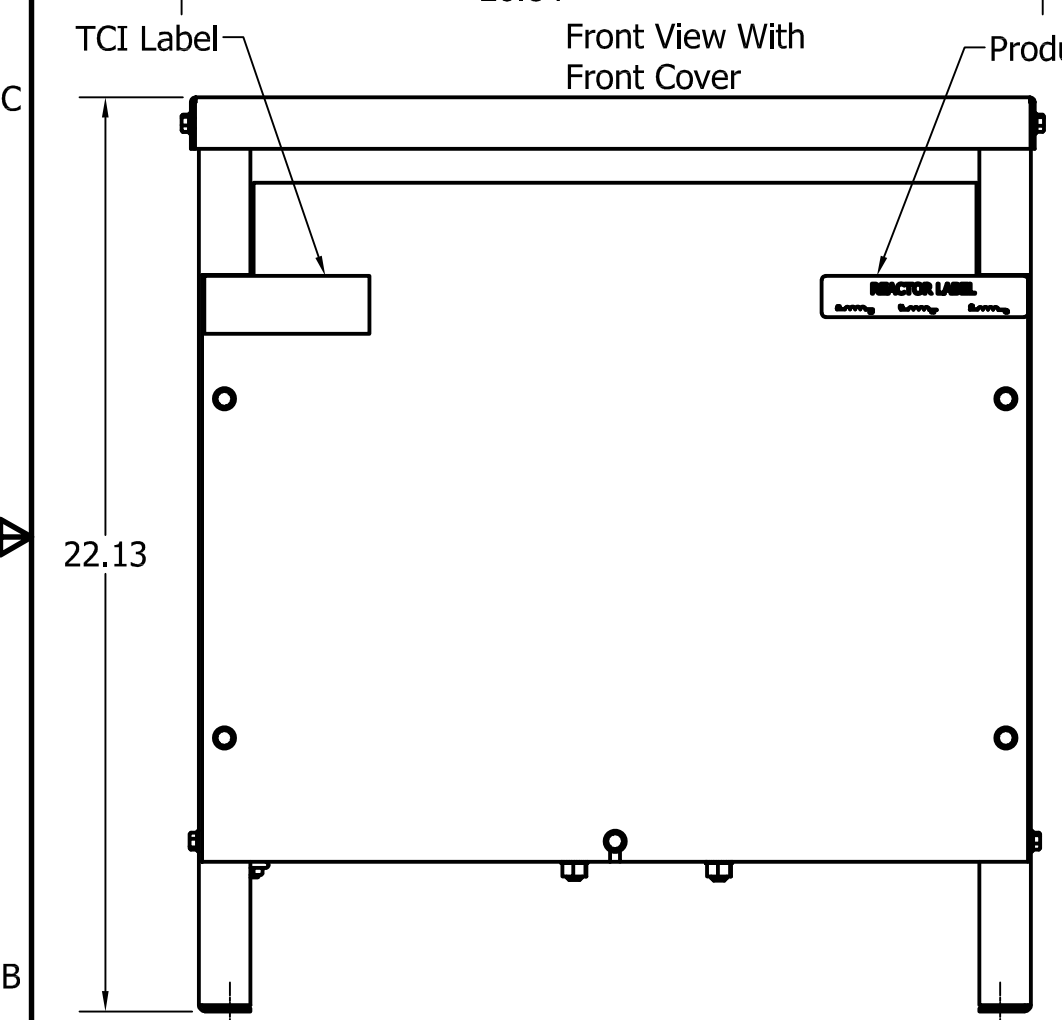
480 Rated Voltage, 600 Max Voltage, High Z, Impedance.

Part Number	Horsepower (HP)	Motor Amps (A)	Maximum Amps (A)	Inductance (uH)	Weight (LBS)	Losses (W)	Available Lug Kit	Terminal Hole Size (Inches)
KDRG3HE01	125	156	160	209	125	274	SLK11	0.34

Ground Lug.  
See IOM Manual, Part# 30895  
Table S2/0, Wire Size And Torque.

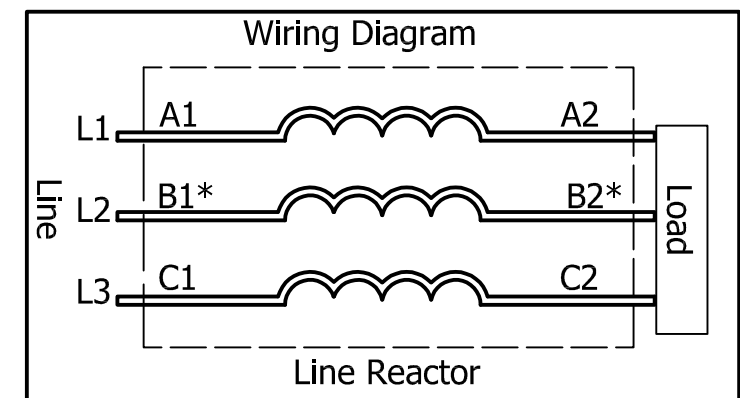
Suggested Customer Wire Entrance Bottom Of Enclosure.  
See Note: 8  
(Non Removeable Panel)

Suggested Customer Entrance Either Side Of Enclosure.  
See Note: 8  
(Non Removeable Panel)



0.50 Dia Mounting Holes  
4 Places, (Bottom of Enclosure)

(Customer Connections)  
Markings On Coils  
For Reference Only.



\* For single phase applications, use coils A and C,  
Isolate terminals B1 and B2.

**TCL** (800) 824-8282 transcoll.com

TCL, LLC  
Germantown, WI, USA.  
transcoll.com  
800-824-8282

KDRUL Drive Reactor  
KDR- Motor Amps ---  
3PH, 50/60Hz, ---V Rated, 600V Max, -A Max  
40C Amb Max, 155C Rise, RoHS  
Manual #30895 LUG KIT #SLK---

UL LISTED  
cULus LISTED

DATE CODE A1 A2 B1 B2 C1 C2

- Notes:
1. KDR Lug Kits sold separately. Contact TCI.
  2. For KDRUL Version With Terminal Lugs Attached, See Sheet 2
  3. UL file number: cULus Listed File E116124.
  4. KDR Drive Reactors Comply With The Thermal and Altitude Standards Set Forth by NEMA ST20-1992.
  5. KDR IOM Manual Part Number 30895
  6. NEC Current For 208/240 Volts, Horsepower Based On 208 Volts.
  7. Material(s) Shall be RoHS Compliant
  8. Customer Is Responsible For Installation To Meet All National And Local Electrical Codes.

TCL, LLC CLAIMS PROPRIETARY RIGHTS IN THE MATERIAL HEREIN DISCLOSED. IT IS SUPPLIED WITHOUT PREDJUDICE TO ANY PATENT RIGHTS OF TCL AND MAY NOT BE REPRODUCED OR USED TO MANUFACTURE ANYTHING SHOWN THEREIN WITHOUT WRITTEN PERMISSION FROM TCL.

TOLERANCES (EXCEPT AS NOTED)			
DECIMAL			
.XX	± .25		
.XXX	± .10		
FRACTIONAL			
± 1/16			
ANGULAR			
± 1°			
A	Combined Drawings	3/19/18	DSW
NO	REVISION	DATE	BY

**TCL** W132 N10611 Grant Drive  
Germantown, WI 53022

KDR G Frame, Copper Bus, Enclosed  
Type 1, Reactor Drawing

DRN BY: DSW DATE: 3/19/18 SIZE: 107610DG  
SCALE: 1/5 APRVD: C

SHT. 1 OF 6