

208/240 Rated Voltage, 600 Max Voltage, Low Z, Impedance.								
Part Number	Horsepower (HP)	Motor Amps (A)	Maximum Amps (A)	Inductance (uH)	Weight (LBS)	Losses (W)	Available Lug Kit	Terminal Hole Size (Inches)
KDRG22LE01	125	343	377	32.2	131	370	SLK13	0.56

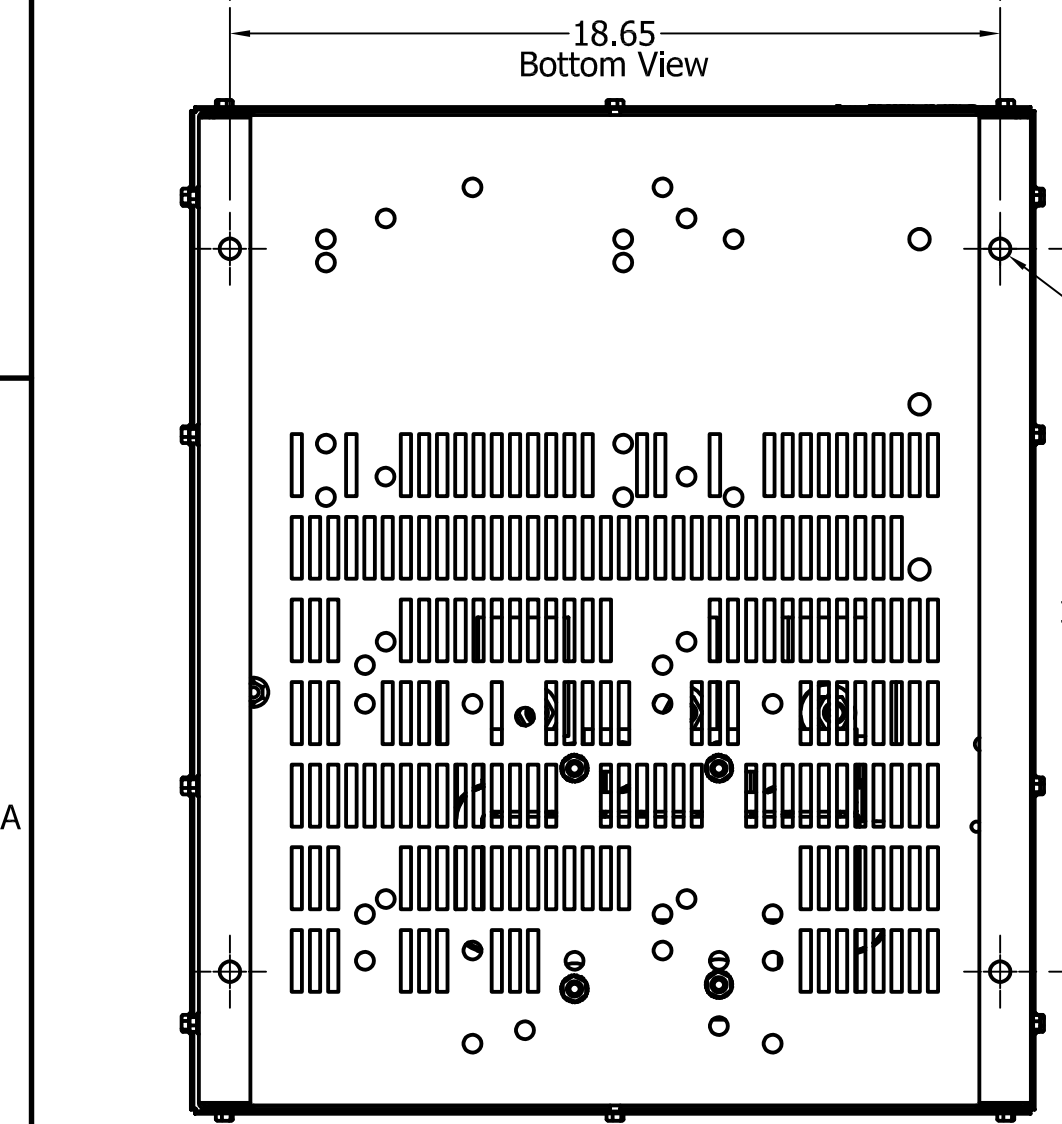
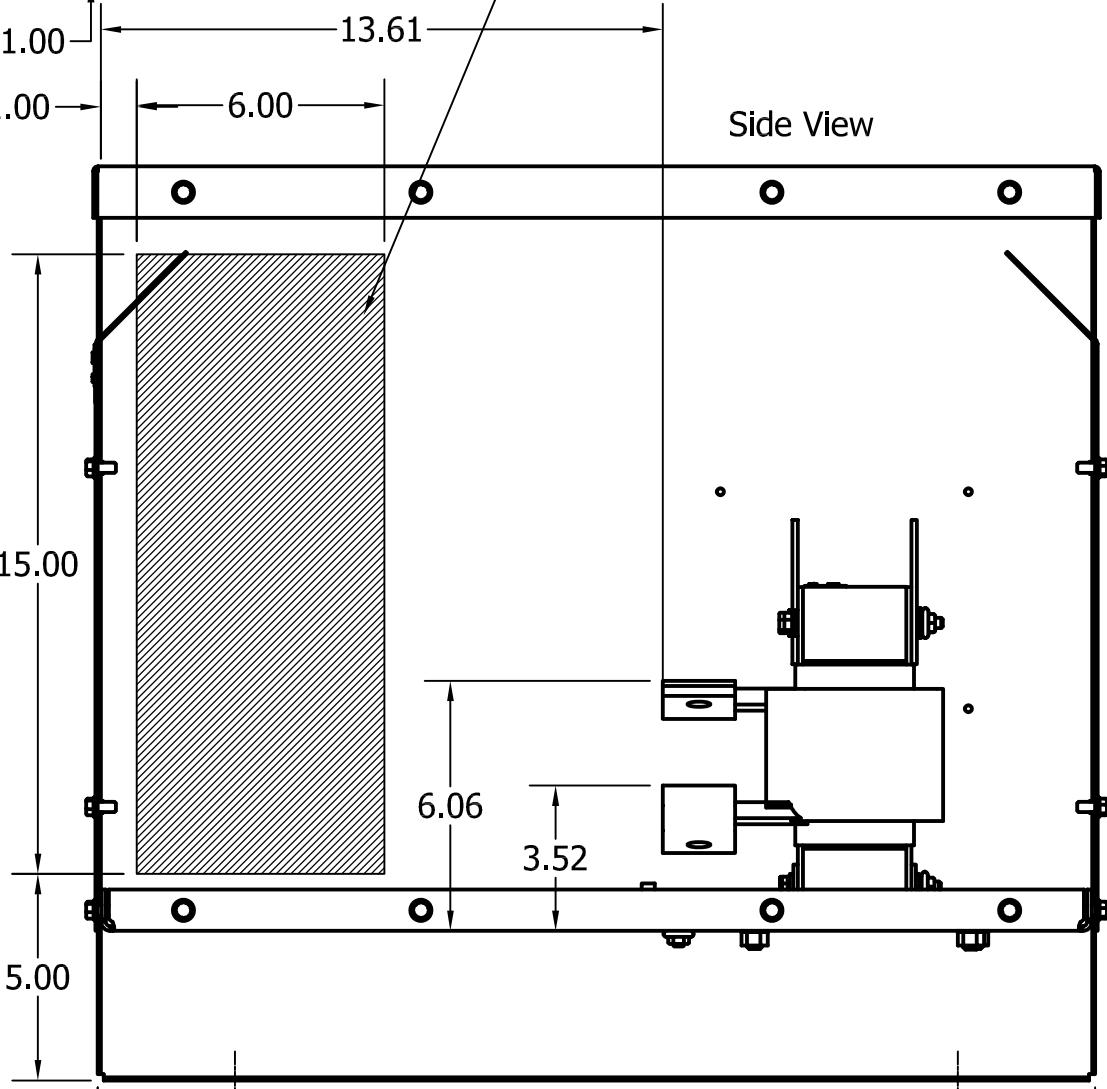
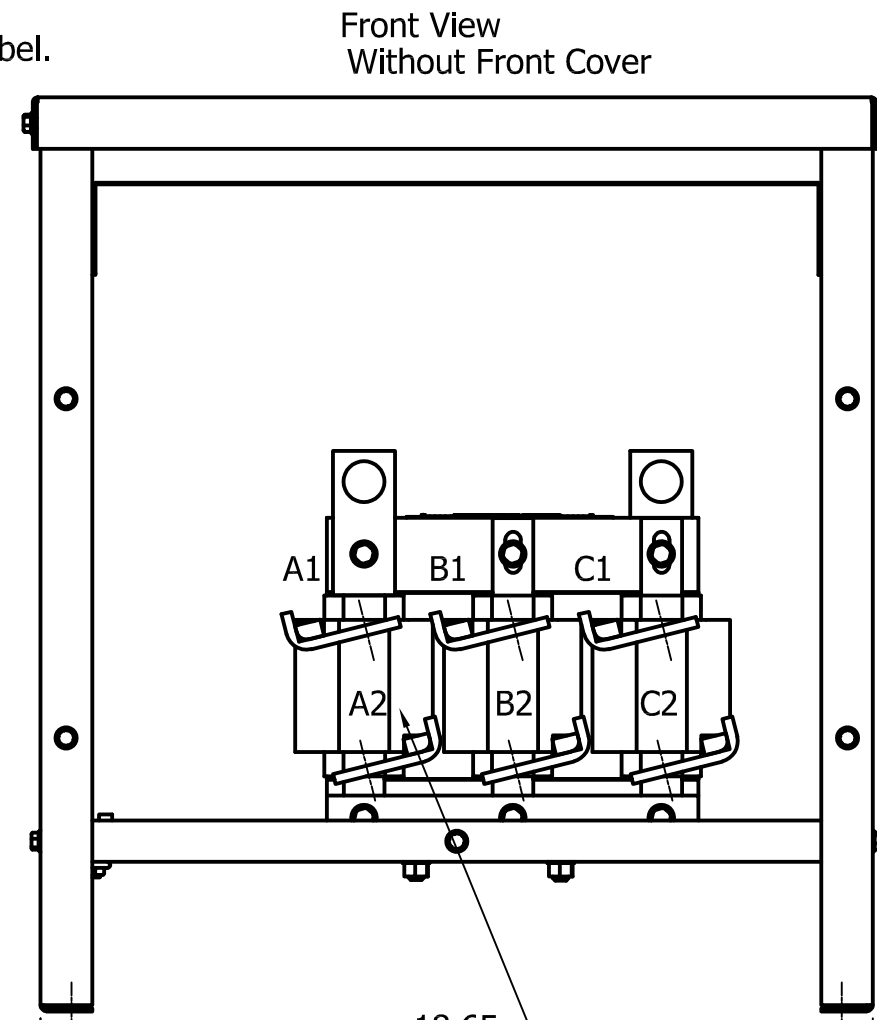
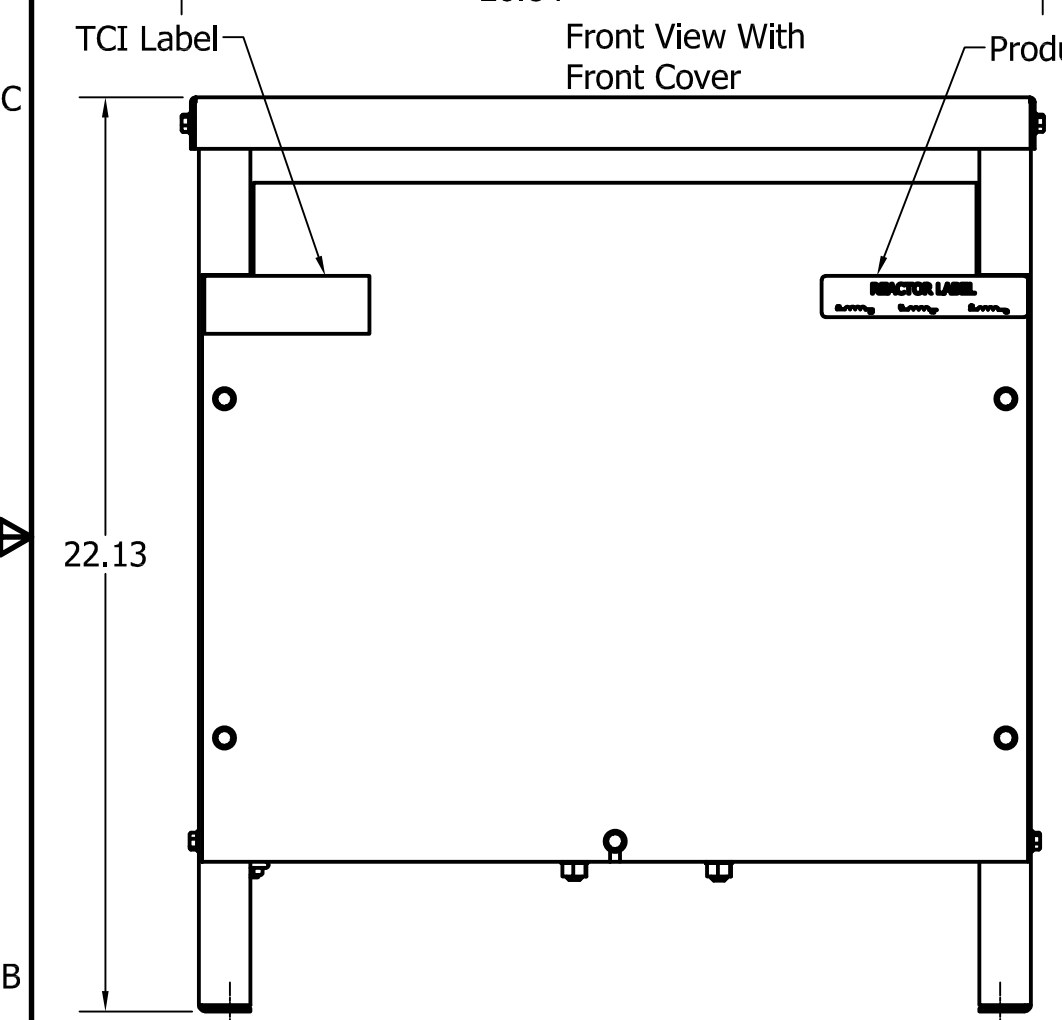
208/204 Rated Voltage, 600 Max Voltage, High Z, Impedance.								
Part Number	Horsepower (HP)	Motor Amps (A)	Maximum Amps (A)	Inductance (uH)	Weight (LBS)	Losses (W)	Available Lug Kit	Terminal Hole Size (Inches)
KDRG25HE01	125	343	350	50.5	131	347	SLK13	0.56

480 Rated Voltage, 600 Max Voltage, Low Z, Impedance.								
Part Number	Horsepower (HP)	Motor Amps (A)	Maximum Amps (A)	Inductance (uH)	Weight (LBS)	Losses (W)	Available Lug Kit	Terminal Hole Size (Inches)
KDRG1LE01	250	302	340	65.4	131	337	SLK13	0.56
KDRG2LE01	300	361	370	56.5	131	381	SLK13	0.56

Ground Lug.
See IOM Manual, Part# 30895
Table S2/0, Wire Size And Torque.

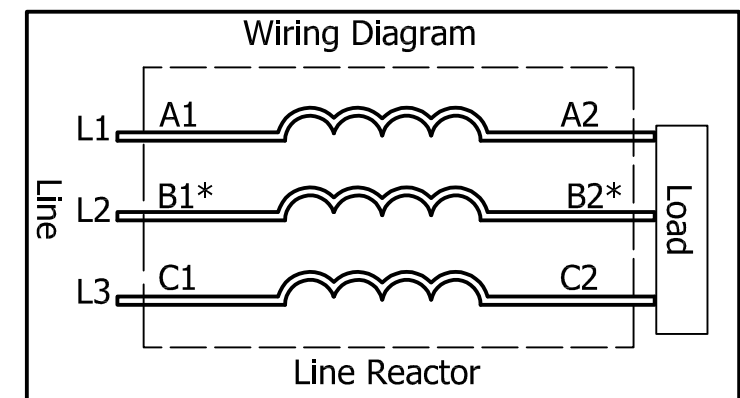
Suggested Customer Wire Entrance
Bottom Of Enclosure.
See Note: 8
(Non Removeable Panel)

Suggested Customer Entrance
Either Side Of Enclosure.
See Note: 8
(Non Removeable Panel)



0.50 Dia Mounting Holes
4 Places, (Bottom of Enclosure)

(Customer Connections)
Markings On Reactor
For Reference Only.



* For single phase applications, use coils A and C,
Isolate terminals B1 and B2.

TCL (800) 824-8282 transcoll.com

TCL, LLC
Germantown, WI USA.
transcoll.com
800-824-8282

KDRUL Drive Reactor
KDR- Motor Amps ---
3PH, 50/60Hz, ---V Rated, 600V Max, -A Max
40C Amb Max, 155C Rise, RoHS
Manual #30895 LUG KIT #SLK---

UL LISTED
cULus LISTED

DATE CODE A1 A2 B1 B2 C1 C2

- Notes:
1. KDR Lug Kits sold separately. Contact TCI.
 2. For KDRUL Version With Terminal Lugs Attached, See Sheet 6
 3. UL file number: cULus Listed File E116124.
 4. KDR Drive Reactors Comply With The Thermal and Altitude Standards Set Forth by NEMA ST20-1992.
 5. KDR IOM Manual Part Number 30895
 6. NEC Current For 208/240 Volts, Horsepower Based On 208 Volts.
 7. Material(s) Shall be RoHS Compliant
 8. Customer Is Responsible For Installation To Meet All National And Local Electrical Codes.

TCL, LLC CLAIMS PROPRIETARY RIGHTS IN THE MATERIAL HEREIN DISCLOSED. IT IS SUPPLIED WITHOUT PREDJUDICE TO ANY PATENT RIGHTS OF TCL AND MAY NOT BE REPRODUCED OR USED TO MANUFACTURE ANYTHING SHOWN THEREIN WITHOUT WRITTEN PERMISSION FROM TCL.

TOLERANCES (EXCEPT AS NOTED)			
DECIMAL			
.XX	± .25		
.XXX	± .10		
FRACTIONAL			
± 1/16			
ANGULAR			
± 1°			

TCL W132 N10611 Grant Drive
Germantown, WI 53022

KDR G Frame, Copper Bus, Enclosed
Type 1, Reactor Drawing

DRN BY DSW DATE: 3/19/18 107610DG
SCALE: 1/5 APRVD: SIZE C SHT 5 OF 6