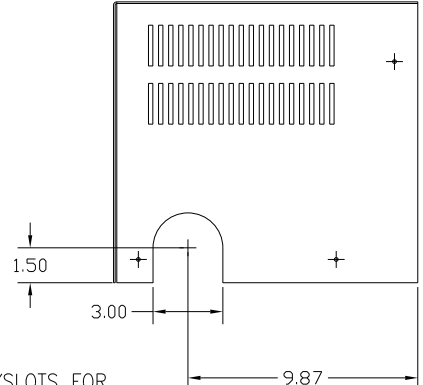
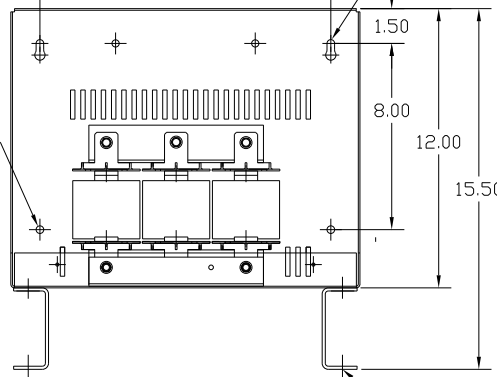
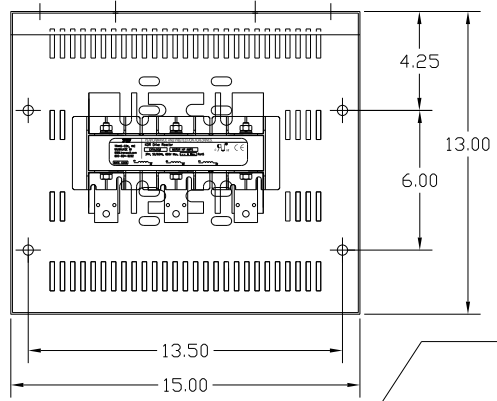
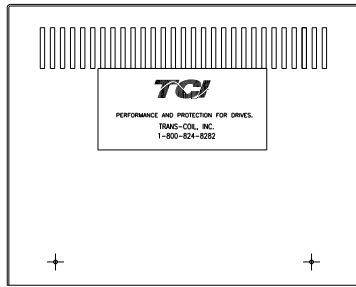
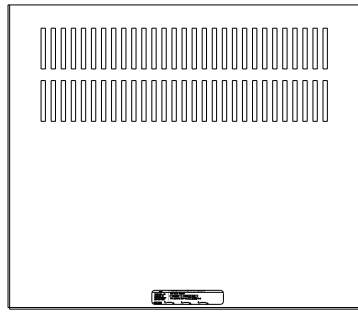
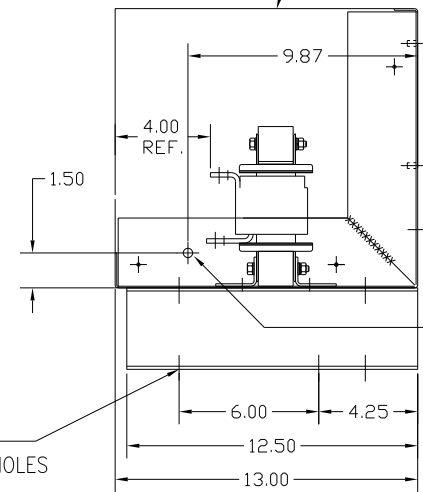


CATALOG NO	VOLTAGE	NEC MOTOR HP	NEC MOTOR CURRENT	WATTS LOSS	TERMINAL HOLE SIZE	APPROX WT-LBS
KDRF45LC4V	690	100	99	194	.280	65



KEYSLOTS FOR 1/4-20 SCREWS 2 PLACES

COVER IN PLACE



LOCATION FOR CUSTOMERS CONDUIT FITTING (BOTH SIDES)

.328 DIA. 2 HOLES

.44 DIA. 4 MTG. HOLES

CUSTOMER IS RESPONSIBLE FOR INSTALLATION TO MEET ALL NATIONAL AND LOCAL ELECTRICAL CODES.

NO	REVISION	DATE	BY	TOLERANCES (EXCEPT AS NOTED)	DECIMAL	FRACTIONAL	ANGULAR	DWG. NO.	DATE	SCALE	APRVD.	7878 N. 86th STREET MILWAUKEE, WI 53224
				.XX ± .03	.XXX ± .01	± 1/32	± 1/2°	B	2/16/12			KDR DRIVE REACTOR, ENCLOSED 690V LOW Z, FRAME F
								D				
												SHT. 1 of 1