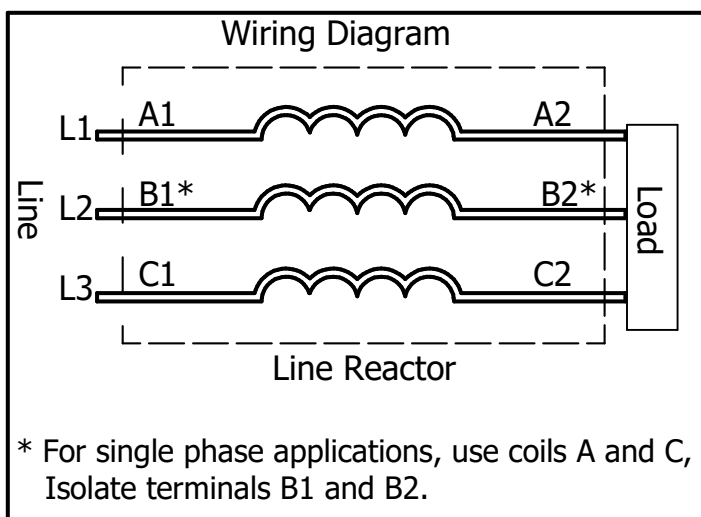
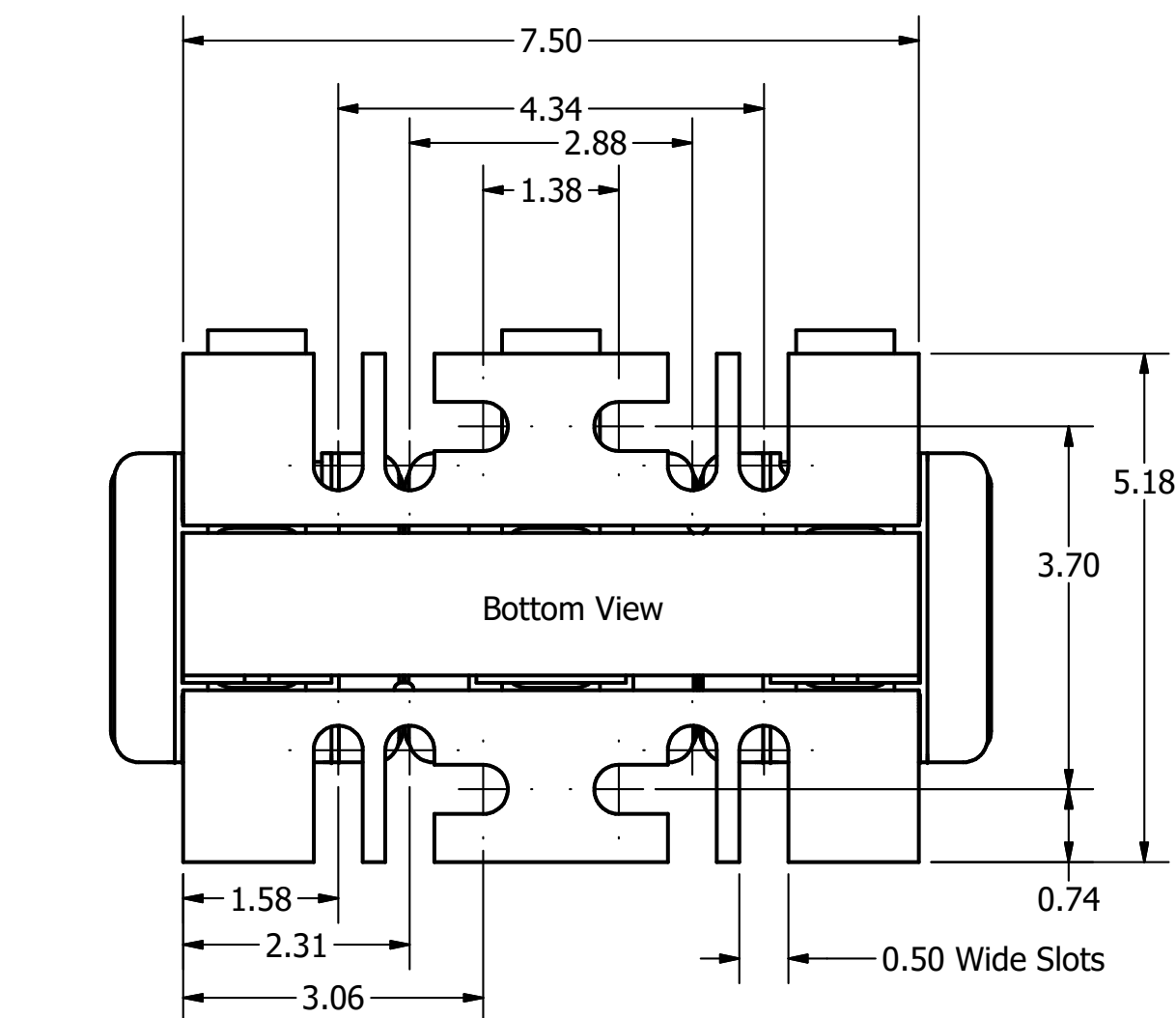
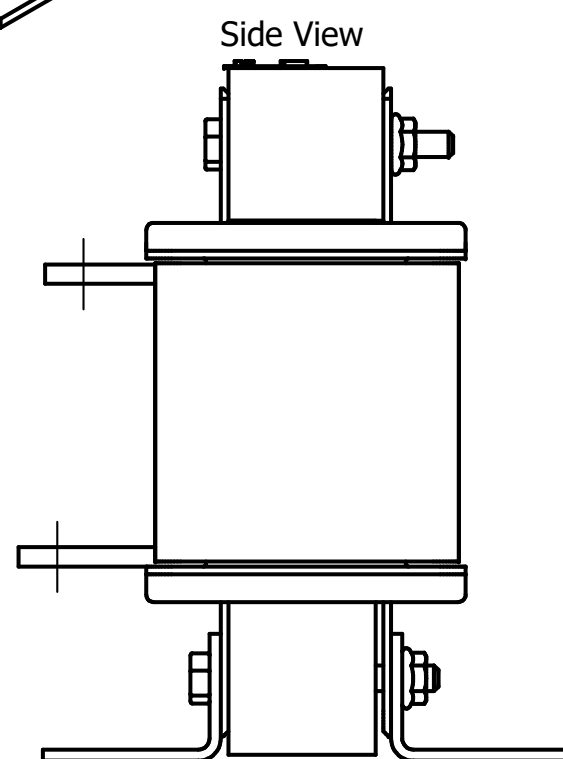


(Customer Connections) Markings On Coils For Reference Only.



208/240 Rated Voltage, 600 Max Voltage, High Z, Impedance.								
Part Number	Horsepower (HP)	Motor Amps (A)	Maximum Amps (A)	Inductance (uH)	Weight (LBS)	Losses (W)	Available Lug Kit	Terminal Hole Size (Inches)
KDRF25H	30	88	92	189	30	179	SLK10	0.28
KDRF26H	40	114	114	152	30	193	SLK10	0.28

208/240 Rated Voltage, 600 Max Voltage, Low Z, Impedance.								
Part Number	Horsepower (HP)	Motor Amps (A)	Maximum Amps (A)	Inductance (uH)	Weight (LBS)	Losses (W)	Available Lug Kit	Terminal Hole Size (Inches)
KDRF24L	30	88	100	116	30	135	SLK10	0.28
KDRF25L	40	114	118	88.6	30	149	SLK10	0.28
KDRF26L	50	143	152	69.9	30	154	SLK21	0.28

480 Rated Voltage, 600 Max Voltage, Low Z, Impedance.								
Part Number	Horsepower (HP)	Motor Amps (A)	Maximum Amps (A)	Inductance (uH)	Weight (LBS)	Losses (W)	Available Lug Kit	Terminal Hole Size (Inches)
KDRF3L	75	96	110	196	30	193	SLK10	0.28

575 Rated Voltage, 600 Max Voltage, Low Z, Impedance.								
Part Number	Horsepower (HP)	Motor Amps (A)	Maximum Amps (A)	Inductance (uH)	Weight (LBS)	Losses (W)	Available Lug Kit	Terminal Hole Size (Inches)
KDRF45L	100	99	99	272	30	194	SLK10	0.28

480 Rated Voltage, 600 Max Voltage, Output								
Part Number	Horsepower (HP)	Motor Amps (A)	Maximum Amps (A)	Inductance (uH)	Weight (LBS)	Losses (W)	Available Lug Kit	Terminal Hole Size (Inches)
KDRF3P	75	96	110	107	30	95	SLK10	0.28

575 Rated Voltage, 600 Max Voltage, Output								
Part Number	Horsepower (HP)	Motor Amps (A)	Maximum Amps (A)	Inductance (uH)	Weight (LBS)	Losses (W)	Available Lug Kit	Terminal Hole Size (Inches)
KDRF33P	100	99	110	104	30	95	SLK10	0.28

**TCI** (800) 824-8282 [transcoil.com](http://transcoil.com)

TCI, LLC  
 Germantown, WI, USA  
[transcoil.com](http://transcoil.com)  
 800-824-8282

**KDRUL Drive Reactor**  
 KDR- Motor Amps —  
 3PH, 50/60Hz, —V Rated, 600V Max, —A Max  
 40C Amb Max, 135C Rise, RoHS  
 Manual #30895 LUG KIT #SLK—

UL LISTED  
 3RD CTRY. EQ. MARK

DATE CODE A1 A2 B1 B2 C1 C2

Notes:

1. KDR Lug Kits sold separately. Contact TCI.
2. For KDRUL Version With Terminal Lugs Attached, See Sheet 2
3. UL file number: cULus Listed File E116124.
4. KDR Drive Reactors Comply With The Thermal and Altitude Standards Set Forth by NEMA ST20-1992.
5. KDR IOM Manual Part Number 30895
6. NEC Current For 208/240 Volts, Horsepower Based On 208 Volts.
7. Material(s) Shall be RoHS Compliant
8. Customer Is Responsible For Installation To Meet All National And Local Electrical Codes.

TCI, LLC CLAIMS PROPRIETARY RIGHTS IN THE MATERIAL HEREIN DISCLOSED. IT IS SUPPLIED WITHOUT PREJUDICE TO ANY PATENT RIGHTS OF TCI AND MAY NOT BE REPRODUCED OR USED TO MANUFACTURE ANYTHING SHOWN THEREIN WITHOUT WRITTEN PERMISSION FROM TCI.

TOLERANCES (EXCEPT AS NOTED)  
 DECIMAL  
 .XX ± .25  
 .XXX ± .10  
 FRACTIONAL  
 ± 1/16  
 ANGULAR  
 ± 1°

**TCI** W132 N10611 Grant Drive  
 Germantown, WI 53022

KDR F Frame, Copper Bus,  
 Reactor Drawing

DRN BY: DSW DATE: 1/22/18 107573DG  
 SCALE: 1/2 APRVD: SIZE: C  
 NO. REVISION DATE BY

SHT. 1 OF 2