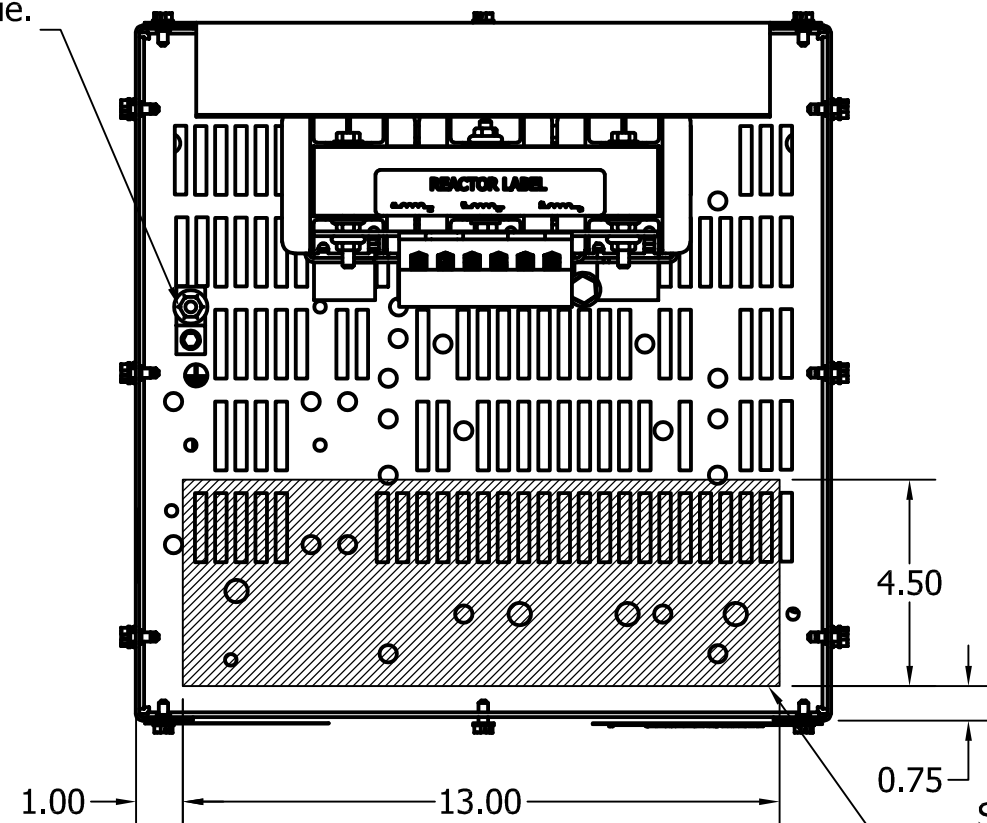
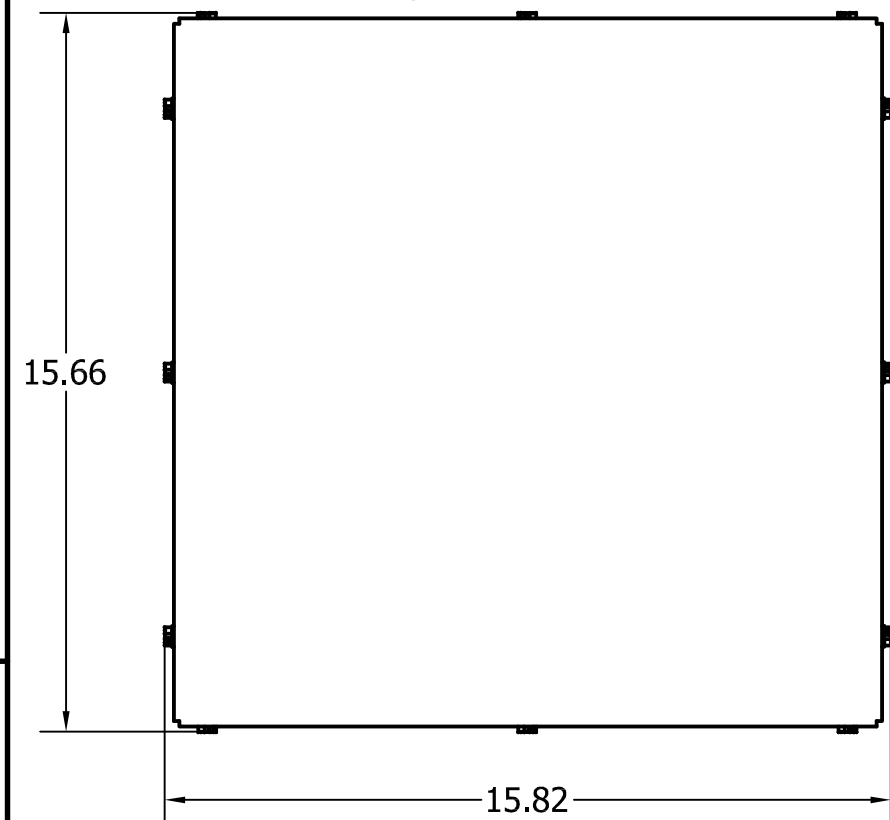
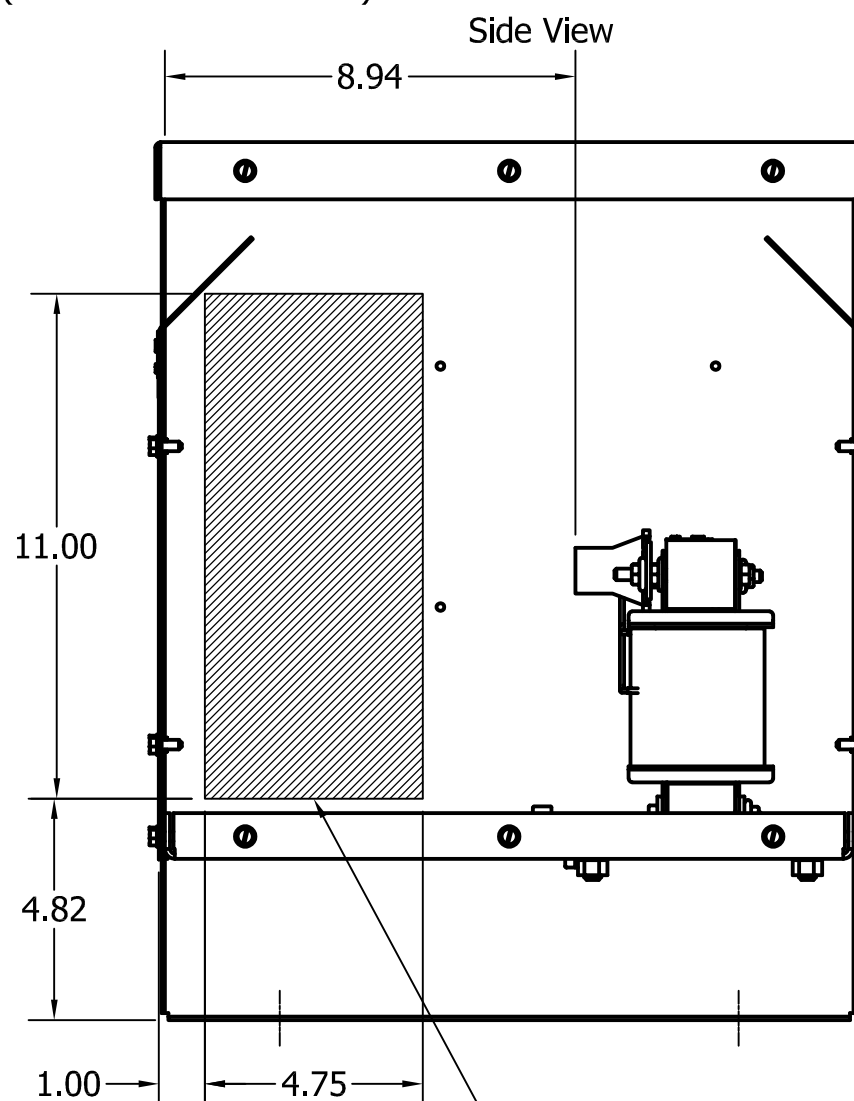
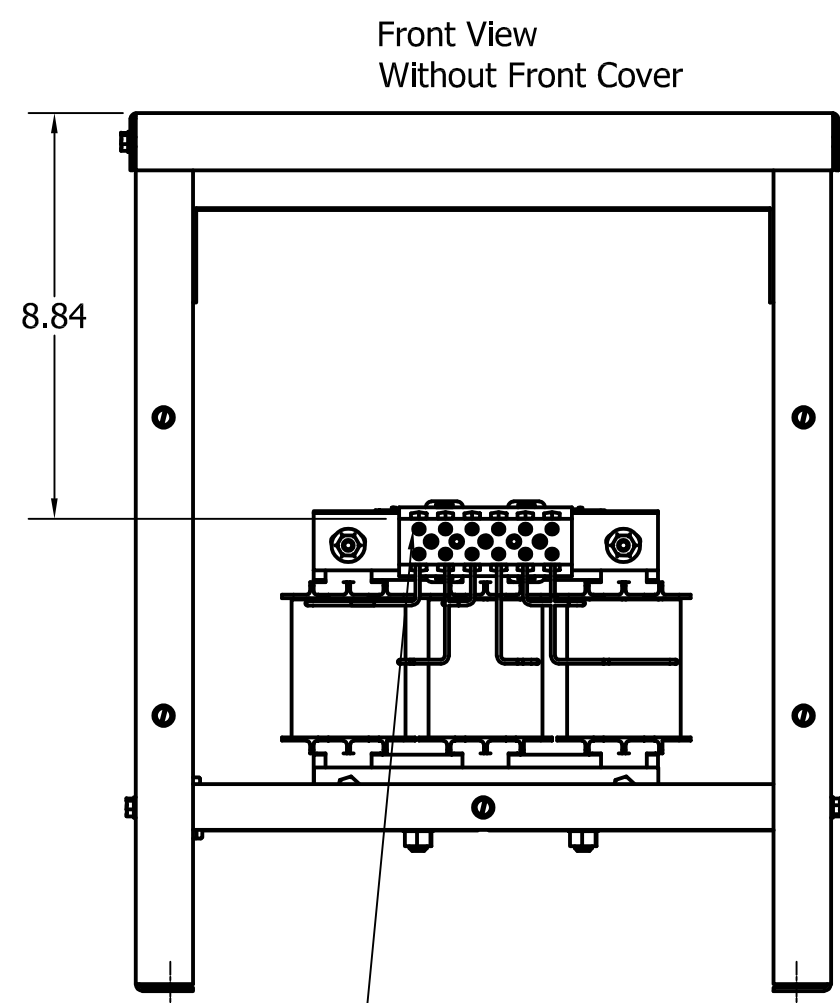
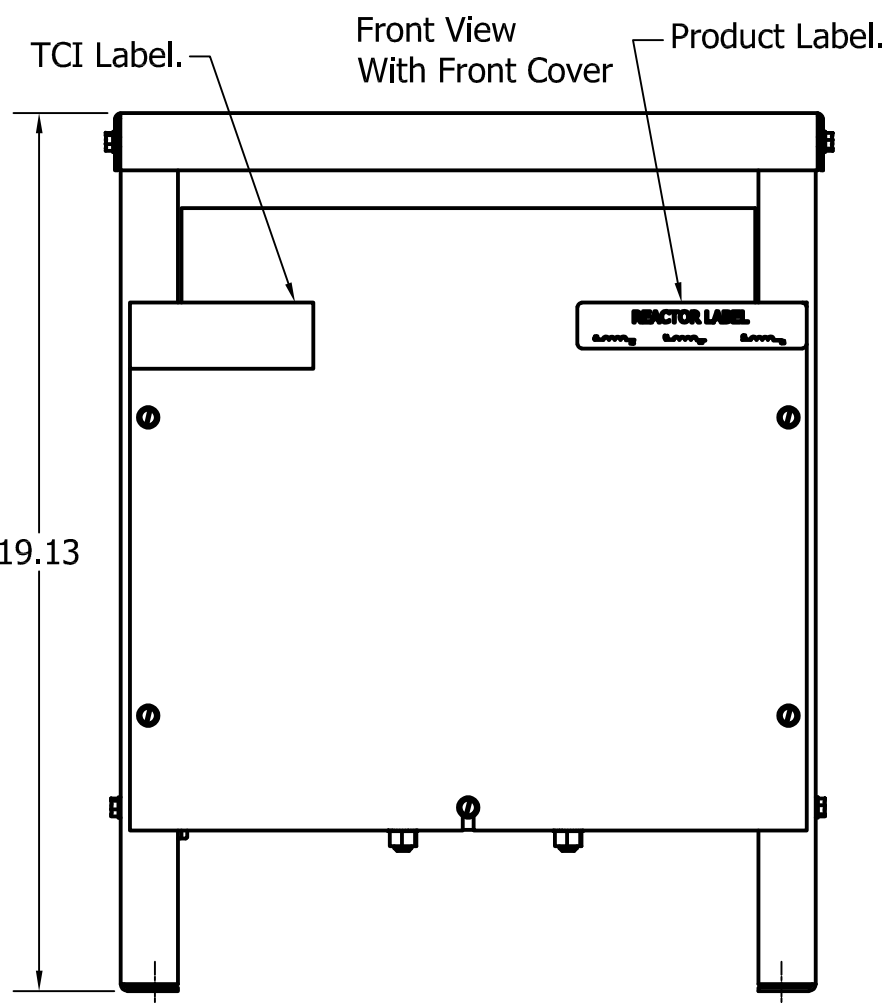


Ground Lug.
See IOM Manual, Part# 30895
Table S2/0, Wire Size And Torque.

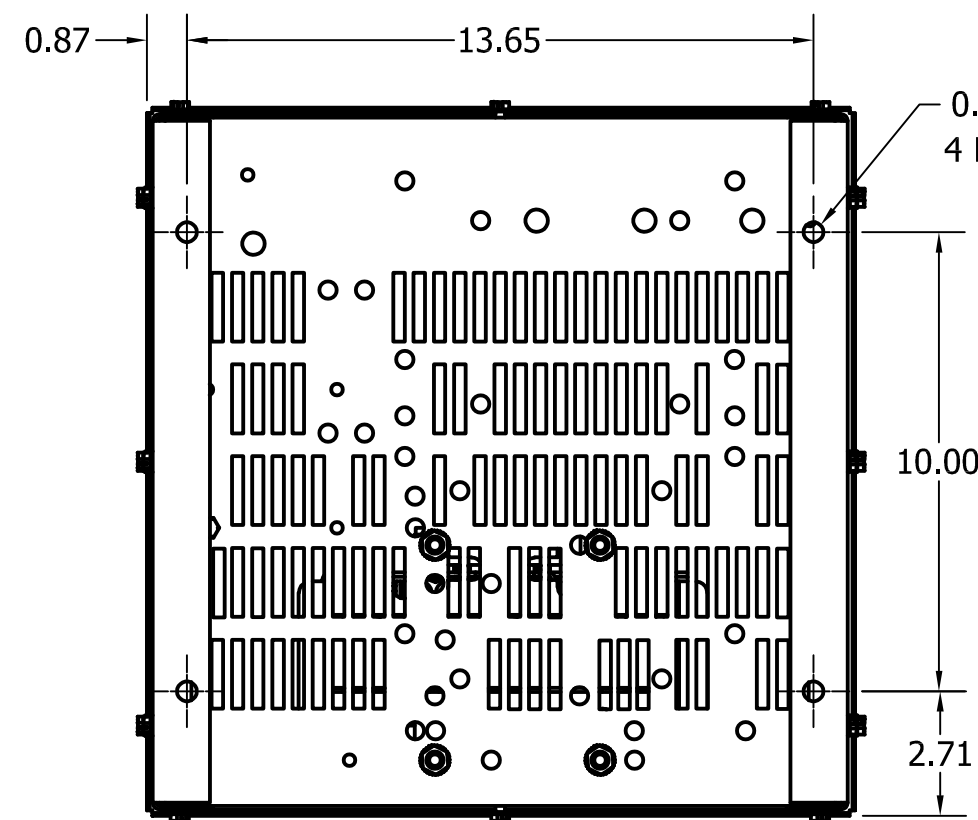


Suggested Customer Wire Entrance Bottom Of Enclosure. See Note: 7 (Non Removeable Panel)

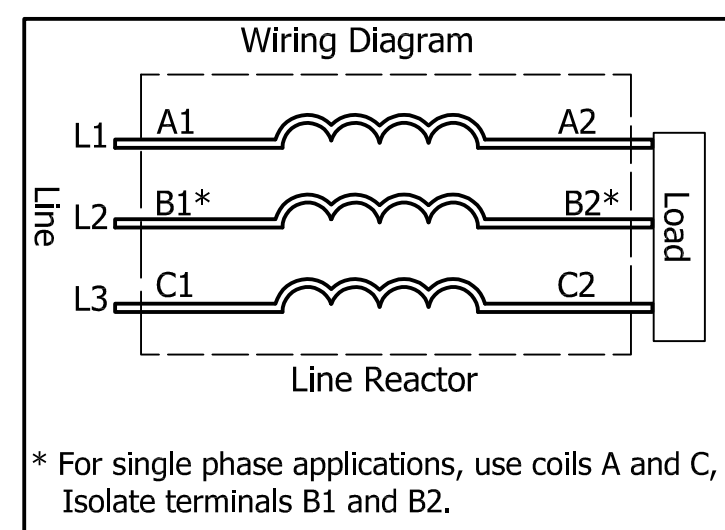


Suggested Customer Entrance Either Side Of Enclosure. See Note: 7 (Non Removeable Panel)

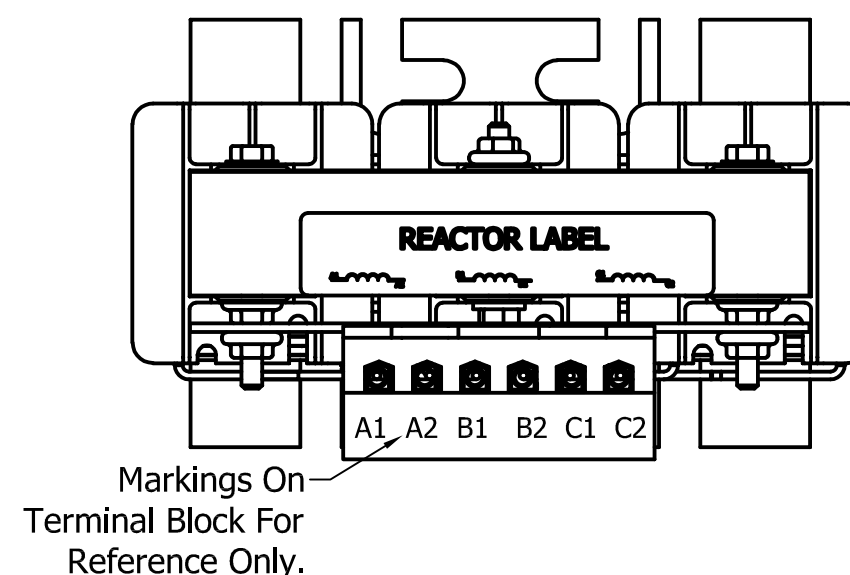
Wire Range: 1- 4 AWG. Torque : 35 IN-LBS (3.95 Nm)
6- 14 AWG. Torque : 30 IN-LBS (3.39 Nm)
16- 20 AWG. Torque : 25 IN-LBS (2.28 Nm)
22 AWG. Torque : 20 IN-LBS (2.26 Nm)



0.44 Dia Mounting Holes, 4 Places, (Bottom of Enclosure)



* For single phase applications, use coils A and C, Isolate terminals B1 and B2.



Markings On Terminal Block For Reference Only.

| 208/240 Rated Voltage, 600 Max Voltage, High Z, Impedance. | | | | | | |
|--|-----------------|----------------|------------------|-----------------|--------------|------------|
| Part Number | Horsepower (HP) | Motor Amps (A) | Maximum Amps (A) | Inductance (uH) | Weight (LBS) | Losses (W) |
| KDRF28HE01 | 25 | 74.8 | 75 | 226 | 67 | 151 |

| 480 Rated Voltage, 600 Max Voltage, High Z, Impedance. | | | | | | |
|--|-----------------|----------------|------------------|-----------------|--------------|------------|
| Part Number | Horsepower (HP) | Motor Amps (A) | Maximum Amps (A) | Inductance (uH) | Weight (LBS) | Losses (W) |
| KDRF4HE01 | 40 | 52 | 60 | 581 | 62 | 169 |
| KDRF1HE01 | 50 | 65 | 85 | 465 | 62 | 191 |

| 480 Rated Voltage, 600 Max Voltage, Low Z, Impedance. | | | | | | |
|---|-----------------|----------------|------------------|-----------------|--------------|------------|
| Part Number | Horsepower (HP) | Motor Amps (A) | Maximum Amps (A) | Inductance (uH) | Weight (LBS) | Losses (W) |
| KDRF2LE01 | 50 | 65 | 65 | 295 | 62 | 114 |
| KDRF4LE01 | 60 | 77 | 77 | 227 | 62 | 169 |

| 575 Rated Voltage, 600 Max Voltage, High Z, Impedance. | | | | | | |
|--|-----------------|----------------|------------------|-----------------|--------------|------------|
| Part Number | Horsepower (HP) | Motor Amps (A) | Maximum Amps (A) | Inductance (uH) | Weight (LBS) | Losses (W) |
| KDRF44HE01 | 40 | 41 | 44 | 1090 | 67 | 172 |
| KDRF45HE01 | 50 | 52 | 58 | 870 | 67 | 165 |

| 575 Rated Voltage, 600 Max Voltage, Low Z, Impedance. | | | | | | |
|---|-----------------|----------------|------------------|-----------------|--------------|------------|
| Part Number | Horsepower (HP) | Motor Amps (A) | Maximum Amps (A) | Inductance (uH) | Weight (LBS) | Losses (W) |
| KDRF46LE01 | 60 | 62 | 62 | 432 | 67 | 181 |
| KDRF47LE01 | 75 | 77 | 77 | 363 | 67 | 194 |

| 480 Rated Voltage, 600 Max Voltage, Output | | | | | | |
|--|-----------------|----------------|------------------|-----------------|--------------|------------|
| Part Number | Horsepower (HP) | Motor Amps (A) | Maximum Amps (A) | Inductance (uH) | Weight (LBS) | Losses (W) |
| KDRF1PE01 | 50 | 65 | 80 | 143 | 62 | 105 |
| KDRF2PE01 | 60 | 77 | 80 | 143 | 62 | 105 |

| 575 Rated Voltage, 600 Max Voltage, Output | | | | | | |
|--|-----------------|----------------|------------------|-----------------|--------------|------------|
| Part Number | Horsepower (HP) | Motor Amps (A) | Maximum Amps (A) | Inductance (uH) | Weight (LBS) | Losses (W) |
| KDRF31PE01 | 60 | 62 | 80 | 144 | 62 | 105 |
| KDRF32PE01 | 75 | 77 | 80 | 143 | 62 | 105 |

TCI (800) 824-8282 transcoil.com
 KDRUL Drive Reactor
 KDR Motor Amps ---
 3PH, 50/60Hz, ---V Rated, 600V Max, -A Max, RoHS
 40C Amb Max, 135C Rise
 Manual #30895

- Notes:
- For KDRUL Version, See Sheet 2
 - UL file number: cULus Listed File E116124.
 - KDR Drive Reactors Comply With The Thermal and Altitude Standards Set Forth by NEMA ST20-1992.
 - KDR IOM Manual Part Number 30895
 - NEC Current For 208/240 Volts, Horsepower Based On 208 Volts.
 - Material(s) Shall be RoHS Compliant
 - Customer Is Responsible For Installation To Meet All National And Local Electrical Codes.

TCI, LLC CLAIMS PROPRIETARY RIGHTS IN THE MATERIAL HEREIN DISCLOSED. IT IS SUPPLIED WITHOUT PREJUDICE TO ANY PATENT RIGHTS OF TCI AND MAY NOT BE REPRODUCED OR USED TO MANUFACTURE ANYTHING SHOWN THEREIN WITHOUT WRITTEN PERMISSION FROM TCI.

| TOLERANCES (EXCEPT AS NOTED) | | | |
|------------------------------|-------|--|--|
| DECIMAL | | | |
| .XX | ± .25 | | |
| .XXX | ± .10 | | |
| FRACTIONAL | | | |
| ± 1/16 | | | |
| ANGULAR | | | |
| ± 1° | | | |

TCI W132 N10611 Grant Drive
 Germantown, WI 53022

KDR F Frame, Terminal Block, Enclosed
 Type 1, Reactor Drawing

DRN BY: DSW DATE: 3/12/18
 SCALE: 1/3 SIZE: 107546DG
 APRVD: C