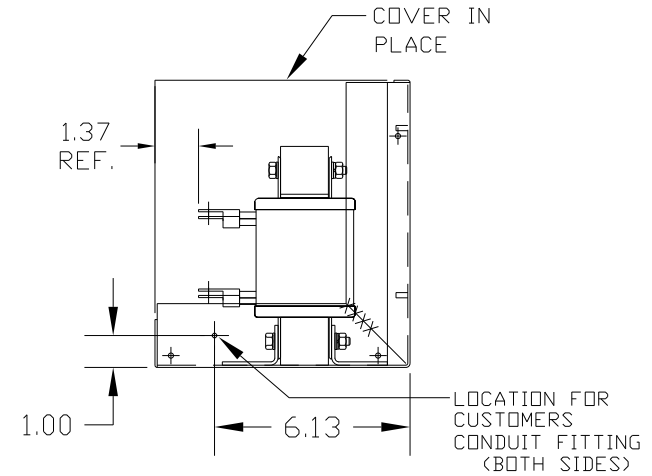
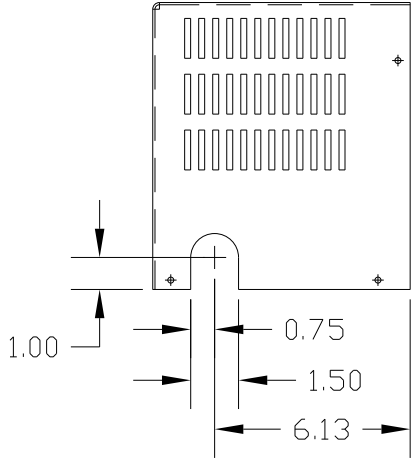
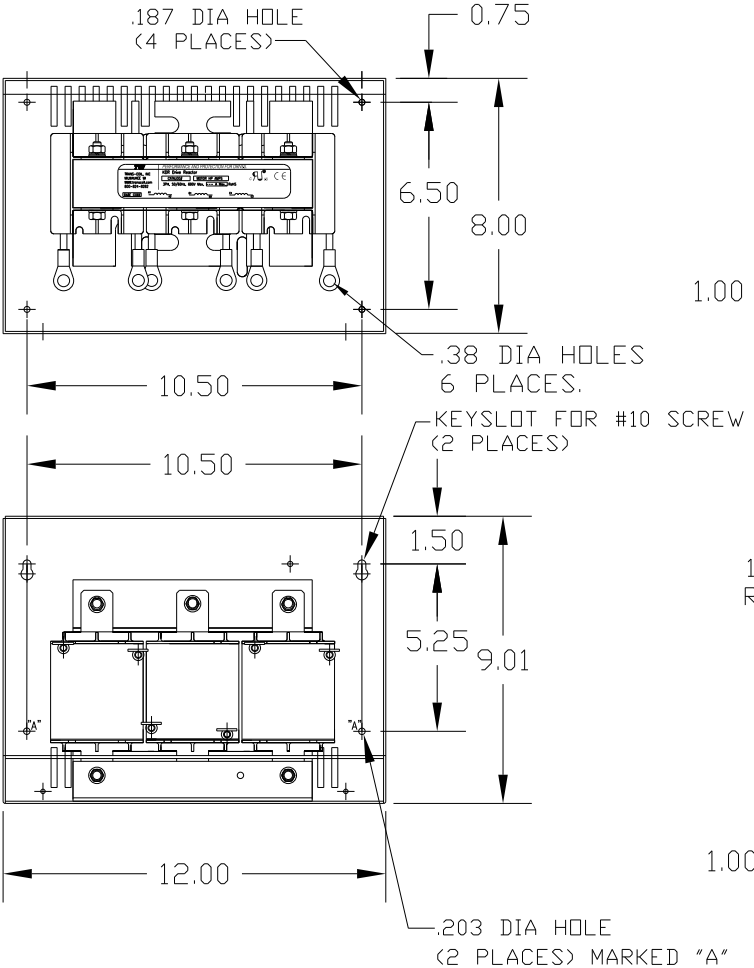
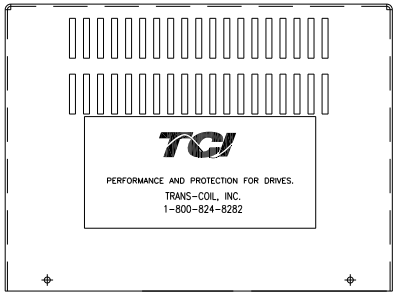
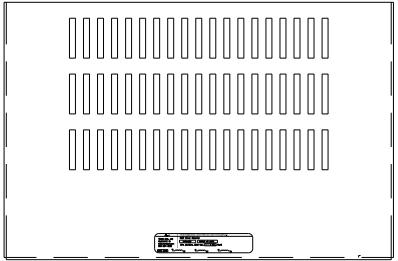


CATALOG NO	VOLTAGE	NEC MOTOR HP	NEC MOTOR CURRENT	WATTS LOSS	APPROX WT-LBS
KDRF45HC3V	690	50	52	166	42



CUSTOMER IS RESPONSIBLE FOR INSTALLATION TO MEET ALL NATIONAL AND LOCAL ELECTRICAL CODES.

				TOLERANCES (EXCEPT AS NOTED)		7878 N. 86th STREET MILWAUKEE, WI 53224	
				DECIMAL			
				.XX ± .03		KDR DRIVE REACTOR, ENCLOSED 690V HIGH Z, FRAME F	
				.XXX ± .01			
				FRACTIONAL		DRN. BY DSW DATE 2/17/12 DWG. NO. B	
				± 1/32		APRVD	
				ANGULAR		KDRF45HC3VDG	
				± 1/2°		SHT. 1 OF 1	
NO	REVISION	DATE	BY				