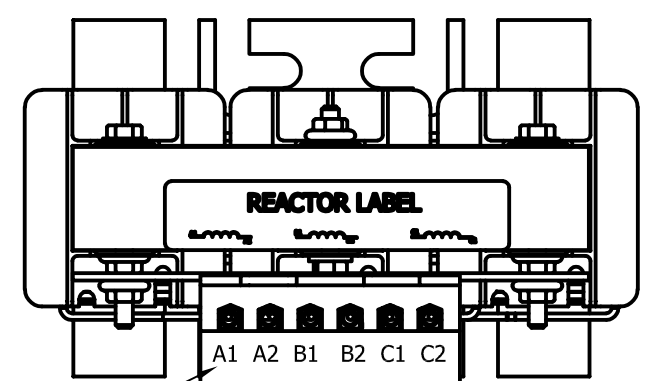
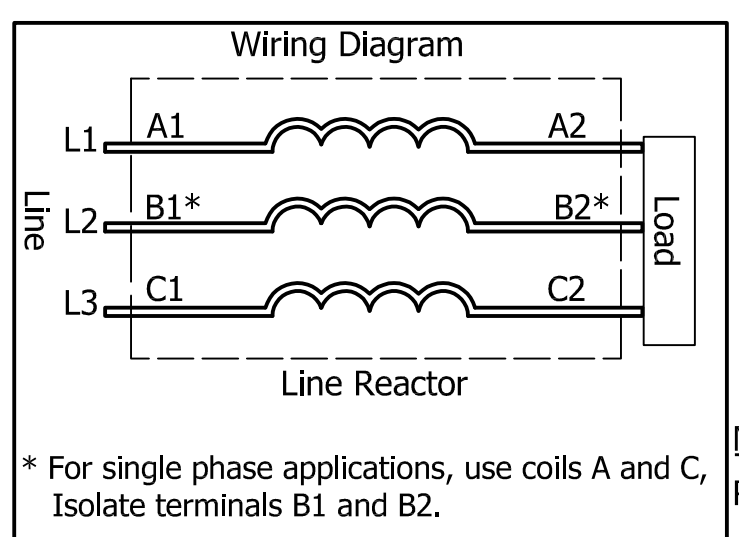


Wire Range: 1- 4 AWG. Torque : 35 IN-LBS (3.95 Nm)  
 6- 14 AWG. Torque : 30 IN-LBS (3.39 Nm)  
 16- 20 AWG. Torque : 25 IN-LBS (2.28 Nm)  
 22 AWG. Torque : 20 IN-LBS (2.26 Nm)



208/240 Rated Voltage, 600 Max Voltage, High Z, Impedance.						
Part Number	Horsepower (HP)	Motor Amps (A)	Maximum Amps (A)	Inductance (uH)	Weight (LBS)	Losses (W)
KDRF28HE3R	25	74.8	77	226	67	151

480 Rated Voltage, 600 Max Voltage, High Z, Impedance.						
Part Number	Horsepower (HP)	Motor Amps (A)	Maximum Amps (A)	Inductance (uH)	Weight (LBS)	Losses (W)
KDRF4HE3R	40	52	60	581	63	169
KDRF1HE3R	50	65	85	465	63	191

480 Rated Voltage, 600 Max Voltage, Low Z, Impedance.						
Part Number	Horsepower (HP)	Motor Amps (A)	Maximum Amps (A)	Inductance (uH)	Weight (LBS)	Losses (W)
KDRF2LE3R	50	65	65	295	63	114
KDRF4LE3R	60	77	77	227	63	169

575 Rated Voltage, 600 Max Voltage, High Z, Impedance.						
Part Number	Horsepower (HP)	Motor Amps (A)	Maximum Amps (A)	Inductance (uH)	Weight (LBS)	Losses (W)
KDRF44HE3R	40	41	44	1090	68	172
KDRF45HE3R	50	52	58	870	68	165

575 Rated Voltage, 600 Max Voltage, Low Z, Impedance.						
Part Number	Horsepower (HP)	Motor Amps (A)	Maximum Amps (A)	Inductance (uH)	Weight (LBS)	Losses (W)
KDRF46LE3R	60	62	62	432	68	181
KDRF47LE3R	75	77	77	363	68	194

480 Rated Voltage, 600 Max Voltage, Output						
Part Number	Horsepower (HP)	Motor Amps (A)	Maximum Amps (A)	Inductance (uH)	Weight (LBS)	Losses (W)
KDRF1PE3R	50	65	80	143	63	105
KDRF2PE3R	60	77	80	143	63	105

575 Rated Voltage, 600 Max Voltage, Output						
Part Number	Horsepower (HP)	Motor Amps (A)	Maximum Amps (A)	Inductance (uH)	Weight (LBS)	Losses (W)
KDRF31PE3R	60	62	80	144	63	105
KDRF32PE3R	75	77	80	143	63	105

**TCL** (800) 824-8282 [transcoll.com](http://transcoll.com)

**KDRUL Drive Reactor**  
 KDR- Motor Amps —  
 3PH, 50/60Hz, —V Rated, 600V Max, —A Max  
 40C Amb Max, 135C Rise, RoHS  
 Manual #30895 LUG KIT #SLK—

UL LISTED  
 3RD PART. NO. 8000

DATE CODE

- Notes:
- For KDRUL Version, See Sheet 2
  - UL file number: cULus Listed File E116124.
  - KDR Drive Reactors Comply With The Thermal and Altitude Standards Set Forth by NEMA ST20-1992.
  - KDR IOM Manual Part Number 30895
  - NEC Current For 208/240 Volts, Horsepower Based On 208 Volts.
  - Material(s) Shall be RoHS Compliant
  - Customer Is Responsible For Installation To Meet All National And Local Electrical Codes.

TCL, LLC CLAIMS PROPRIETARY RIGHTS IN THE MATERIAL HEREIN DISCLOSED. IT IS SUPPLIED WITHOUT PREJUDICE TO ANY PATENT RIGHTS OF TCL AND MAY NOT BE REPRODUCED OR USED TO MANUFACTURE ANYTHING SHOWN THEREIN WITHOUT WRITTEN PERMISSION FROM TCL.				TOLERANCES (EXCEPT AS NOTED) DECIMAL .XX ± .25 .XXX ± .10		W132 N10611 Grant Drive Germantown, WI 53022	
B	For KDRULF2HE3R see drawing 107990DG	1/31/19	DSW	FRACTIONAL ± 1/16		KDR F Frame, Terminal Block, Enclosed Type 3R, Reactor Drawing	
A	As Designed	4/24/18	DSW	ANGULAR ± 1°		DRN BY: DSW DATE: 4/24/18 SCALE: 1/4.5 APRVD: 107667DG SIZE C	
NO	REVISION	DATE	BY			SHEET 1 OF 2	