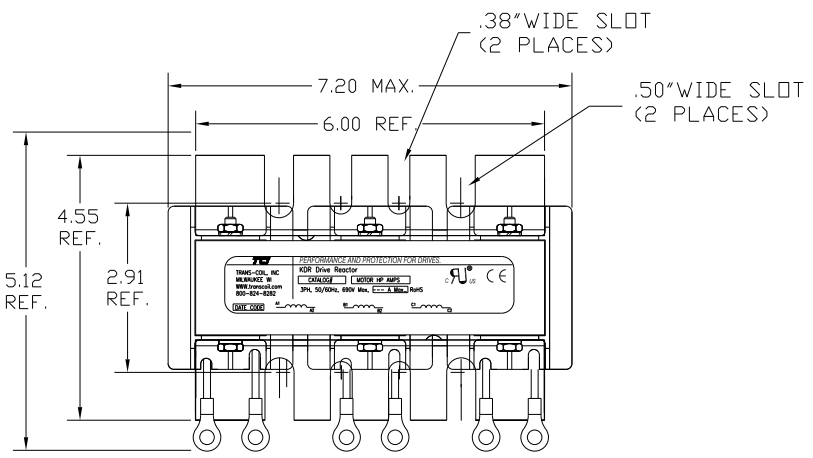


VOLTAGE 690V	NEC MOTOR HP	CATALOG NO	NEC MOTOR CURRENT	AMPS MAX	APPROX WT-LBS	WATTS LOSS	RING LUG HOLE SIZE
HIGH-Z	30	KDRE42HV	32.0	32.0	16	140	.25



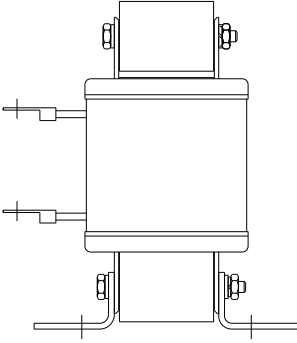
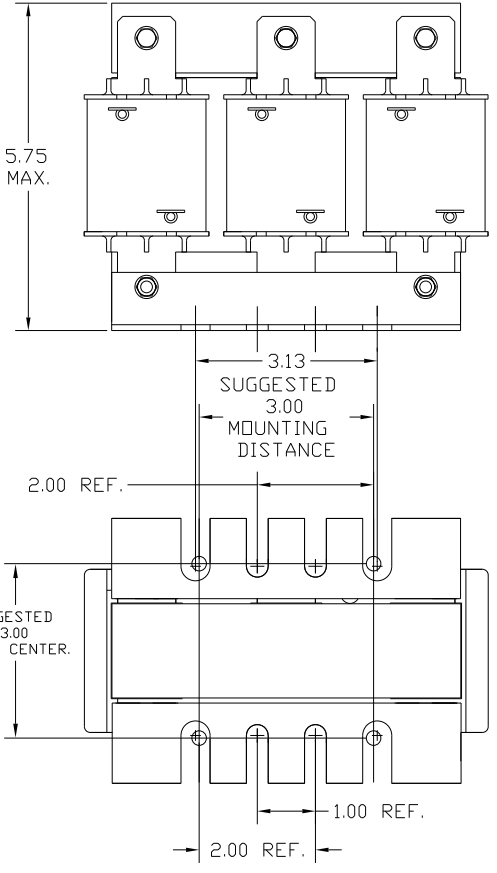
TCI PERFORMANCE AND PROTECTION FOR DRIVES.


TRANS-COIL, INC. MILWAUKEE WI
 WWW.transcoil.com
 800-824-8282

KDR Drive Reactor
 CATALOG# MOTOR HP AMPS
 3PH, 50/60Hz, 690V Max, --- A Max., RoHS

UL[®] CE

DATE CODE A1 B1 C1 A2 B2 C2



				TOLERANCES (EXCEPT AS NOTED)		 7878 N. 86th STREET MILWAUKEE, WI 53224	
				DECIMAL		KDR DRIVE REACTOR	
				.XX ± .03		690V HIGH Z, FRAME E	
				.XXX ± .01		DRN BY DSW DATE 02/07/07 DWG. NO. B KDRE42HVDG	
				FRACTIONAL		SCALE TO FIT	
				± 1/32		APRVD. B SHT. 1 OF 1	
				ANGULAR			
				± 1/2°			
NO	REVISION	DATE	BY				