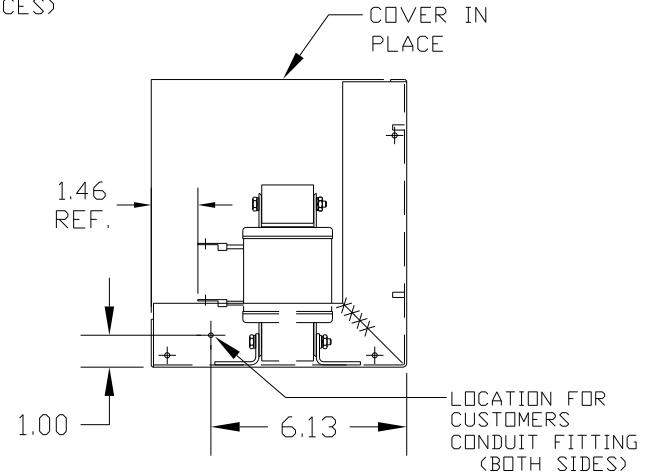
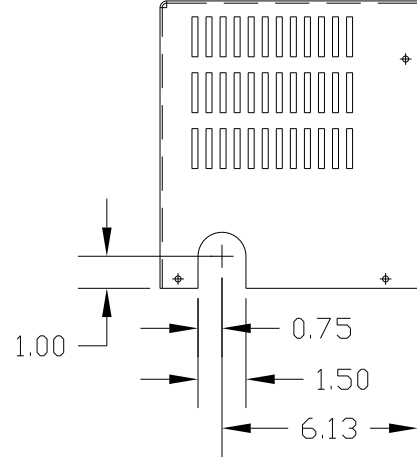
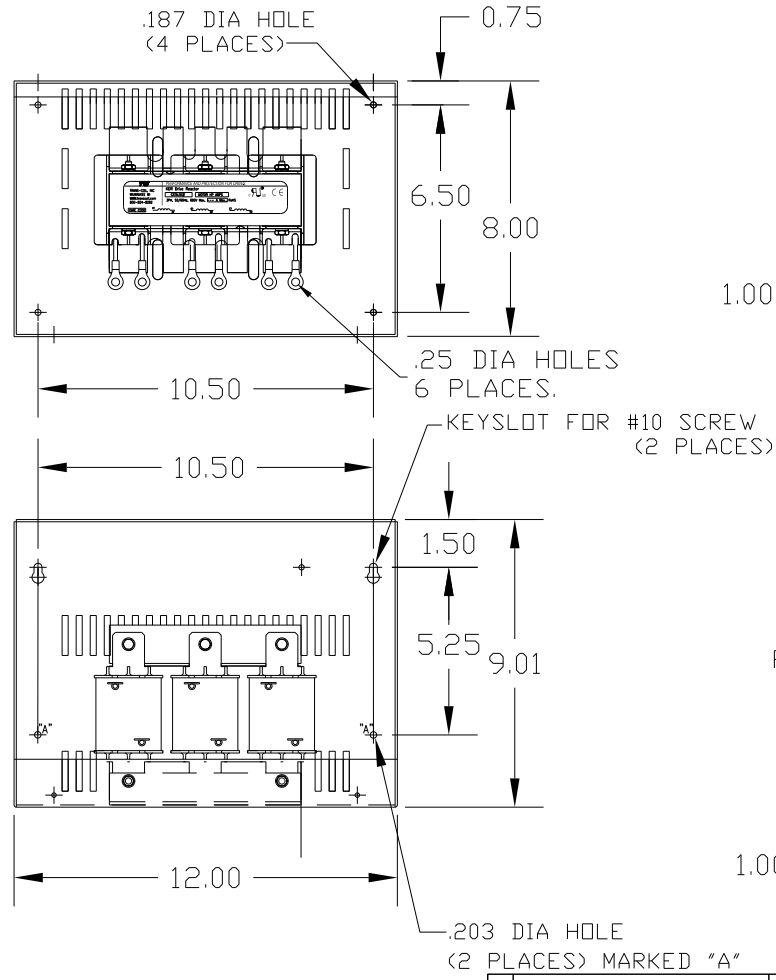
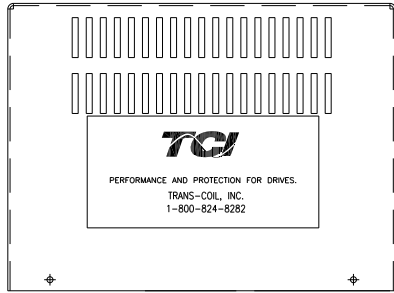
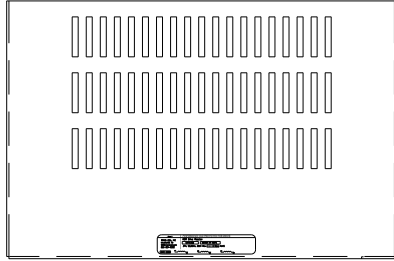


CATALOG NO	VOLTAGE	NEC MOTOR HP	NEC MOTOR CURRENT	WATTS LOSS	APPROX WT-LBS
KDRE42HC3V	690	30	32	140	28



CUSTOMER IS RESPONSIBLE FOR INSTALLATION TO MEET ALL NATIONAL AND LOCAL ELECTRICAL CODES.

TOLERANCES (EXCEPT AS NOTED)				TCI 7878 N. 86th STREET MILWAUKEE, WI 53224	
			DECIMAL	KDR DRIVE REACTOR, ENCLOSED 690V HIGH Z, FRAME E	
			.XX ± .03		
			.XXX ± .01		
			FRACTIONAL	DRN. BY DSW DATE 2/17/12 DWG. NO. B KDRE42HC3VDG	
			± 1/32		
			ANGULAR	SCALE	APRVD.
			± 1/2°		
NO	REVISION	DATE	BY		SHT. 1 OF 1