

Ground Lug.
See IOM Manual, Part# 30895
Table S2/0, Wire Size And Torque.

Wire Range: 4-18 AWG.
Torque : 20 IN-LBS (2.3 Nm)

208/240 Rated Voltage, 600 Max Voltage, High Z, Impedance.						
Part Number	Horsepower (HP)	Motor Amps (A)	Maximum Amps (A)	Inductance (uH)	Weight (LBS)	Losses (W)
KDRD21HE01	10	30.8	31	554	22.4	92
KDRD22HE01	15	46.2	47	375	22.4	108

208/240 Rated Voltage, 600 Max Voltage, Low Z, Impedance.						
Part Number	Horsepower (HP)	Motor Amps (A)	Maximum Amps (A)	Inductance (uH)	Weight (LBS)	Losses (W)
KDRD25LE01	10	30.8	34	342	22.4	64
KDRD24LE01	15	46.2	48	220	22.4	85
KDRD26LE01	20	59.4	62	172	22.4	94

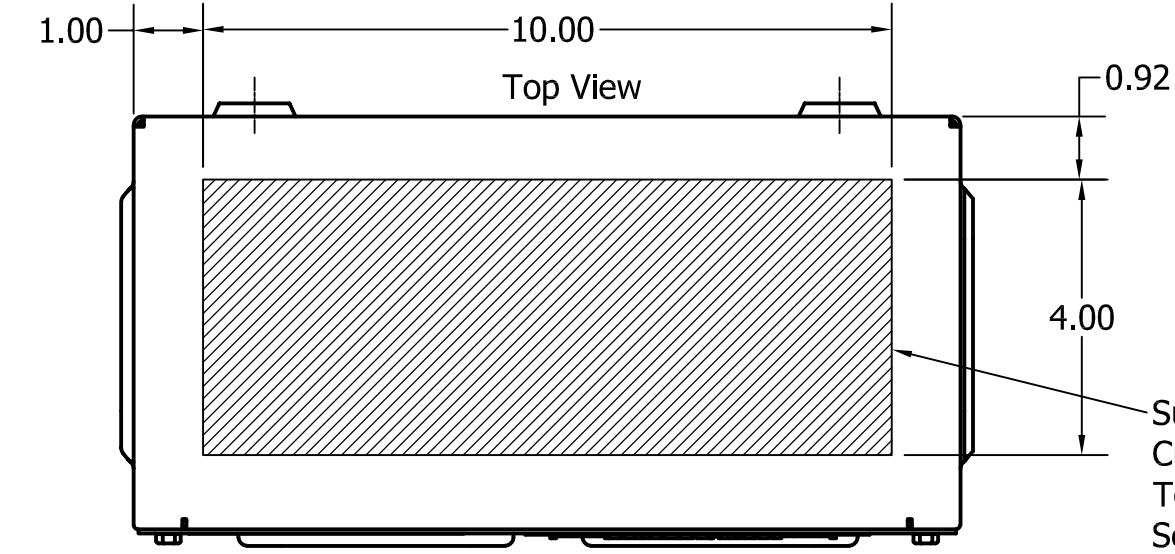
480 Rated Voltage, 600 Max Voltage, Low Z, Impedance.						
Part Number	Horsepower (HP)	Motor Amps (A)	Maximum Amps (A)	Inductance (uH)	Weight (LBS)	Losses (W)
KDRD1LE01	25	34	50	569	20.4	96
KDRD2LE01	30	40	45	469	20.4	105

575 Rated Voltage, 600 Max Voltage, High Z, Impedance.						
Part Number	Horsepower (HP)	Motor Amps (A)	Maximum Amps (A)	Inductance (uH)	Weight (LBS)	Losses (W)
KDRD41HE01	20	22	23	2070	22.4	105

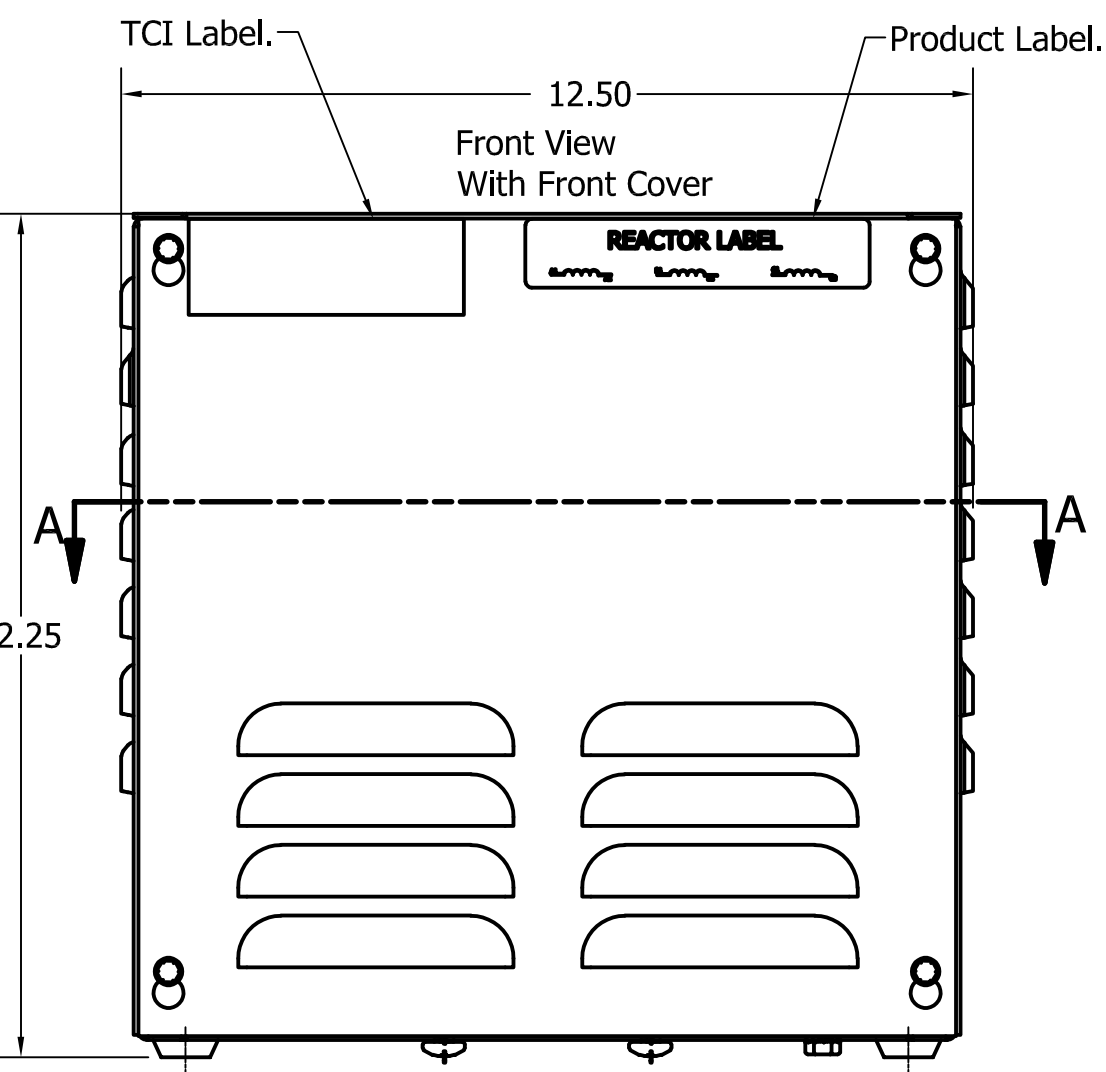
575 Rated Voltage, 600 Max Voltage, Low Z, Impedance.						
Part Number	Horsepower (HP)	Motor Amps (A)	Maximum Amps (A)	Inductance (uH)	Weight (LBS)	Losses (W)
KDRD42LE01	30	32	32	853	22.4	106

480 Rated Voltage, 600 Max Voltage, Output						
Part Number	Horsepower (HP)	Motor Amps (A)	Maximum Amps (A)	Inductance (uH)	Weight (LBS)	Losses (W)
KDRD1PE01	15	21	21	548	20.4	30
KDRD2PE01	20	27	27	444	20.4	43
KDRD3PE01	25	35	35	305	22.4	55
KDRD4PE01	30	45	45	262	22.4	59

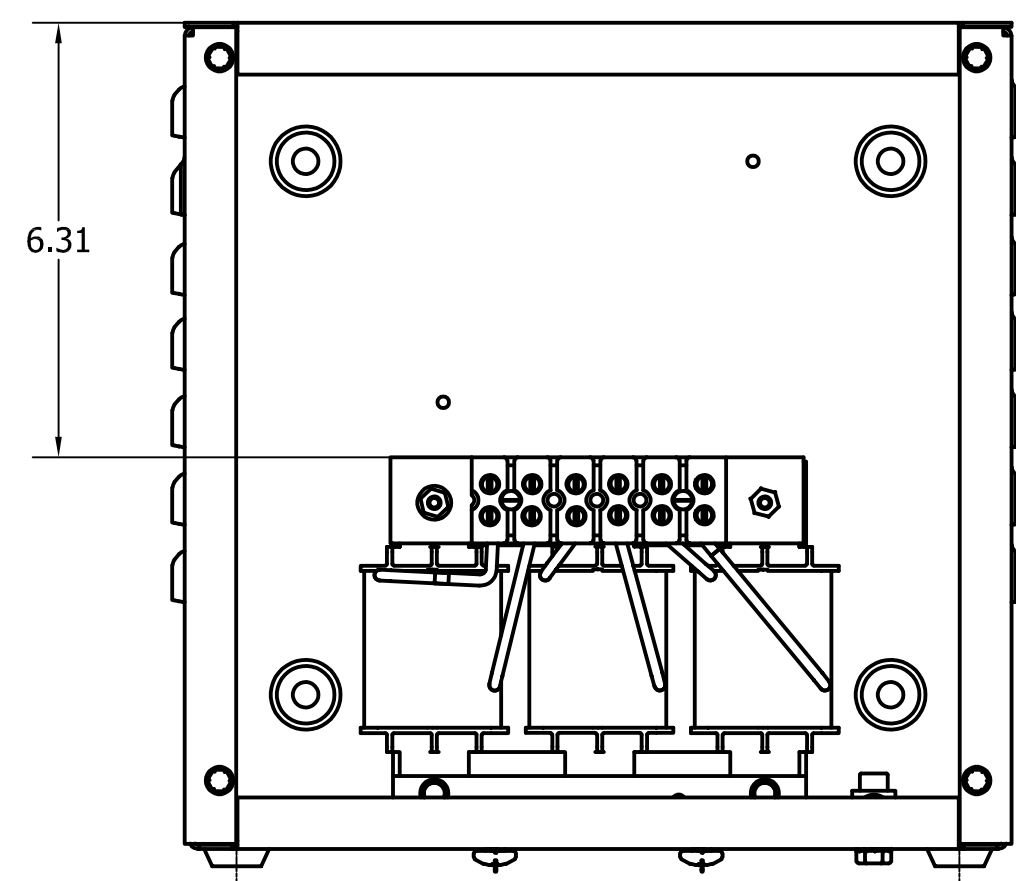
575 Rated Voltage, 600 Max Voltage, Output						
Part Number	Horsepower (HP)	Motor Amps (A)	Maximum Amps (A)	Inductance (uH)	Weight (LBS)	Losses (W)
KDRD31PE01	15	15	17	643	20.4	27
KDRD32PE01	20	20	22	439	20.4	43
KDRD35PE01	25	25	27	460	20.4	43
KDRD33PE01	30	30	32	329	20.4	55
KDRD34PE01	40	40	41	256	22.4	59



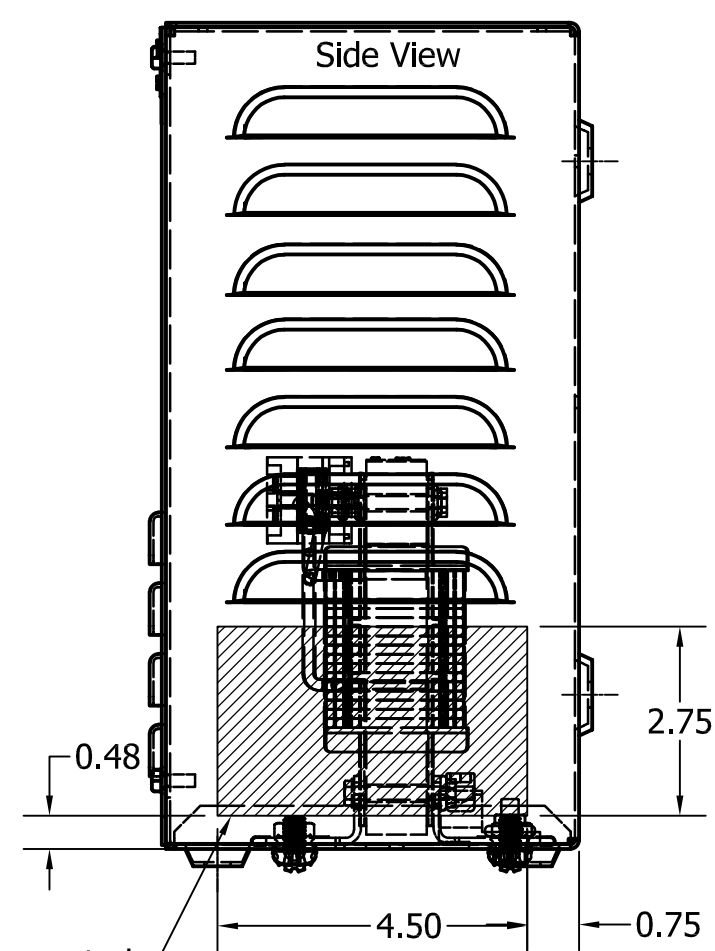
Suggested Customer Wire Entrance
Top Of Enclosure.
See Note: 7
(Non Removeable Panel)



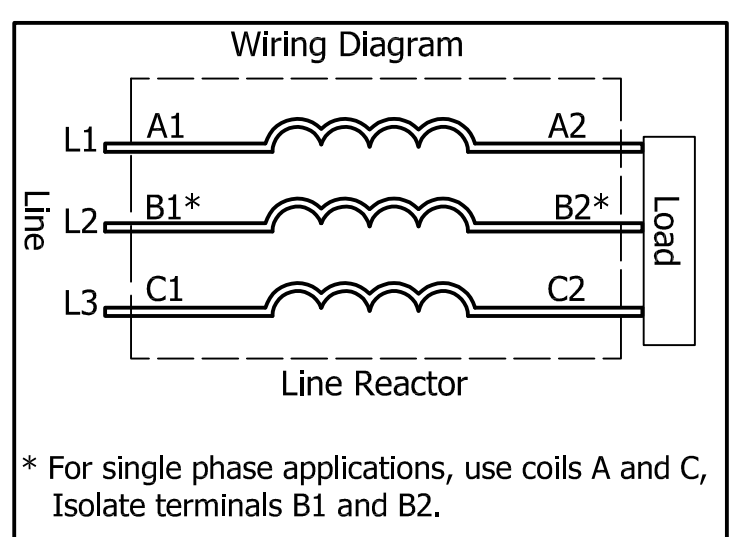
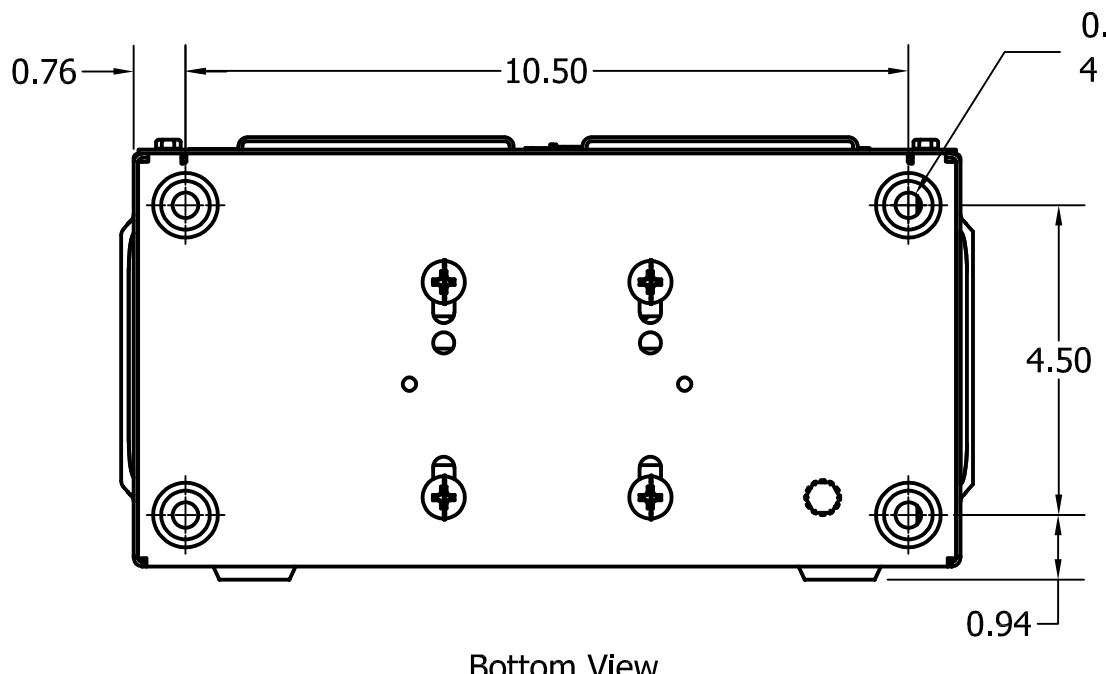
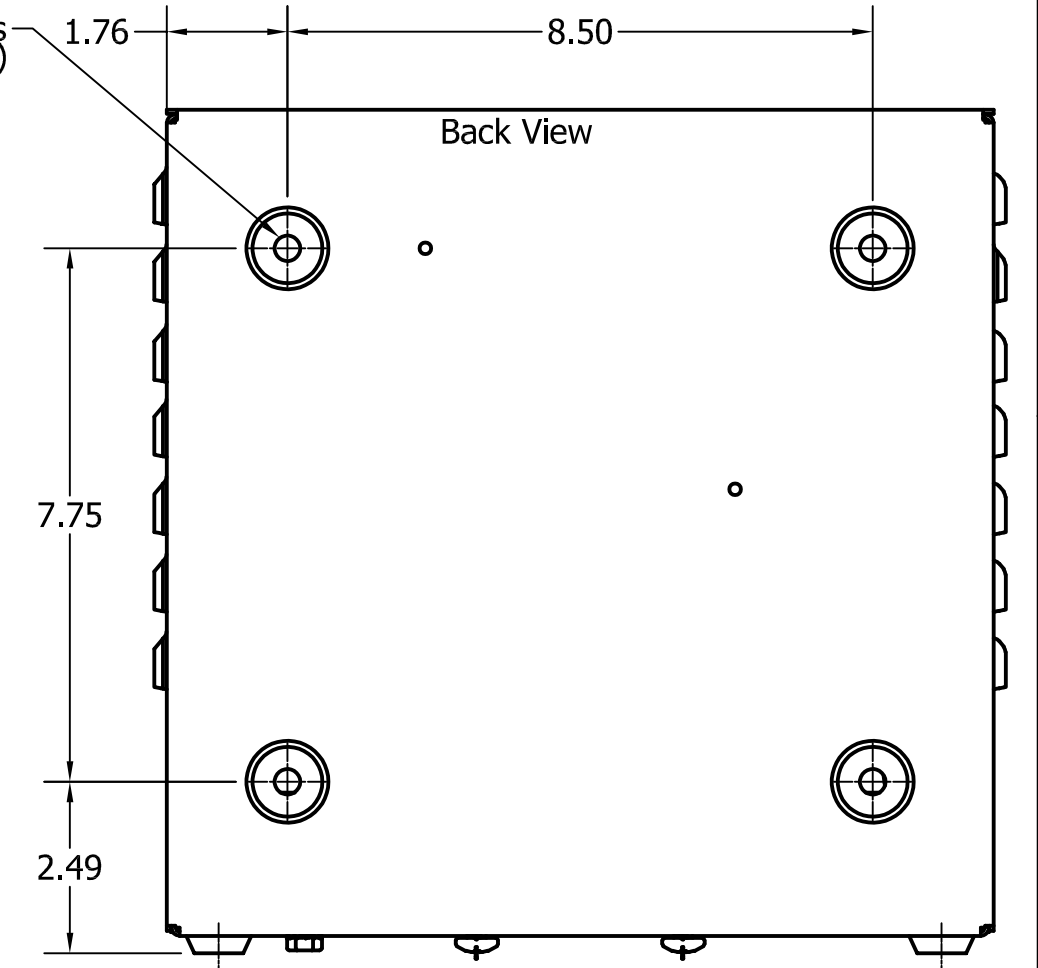
Front View
Without Front Cover



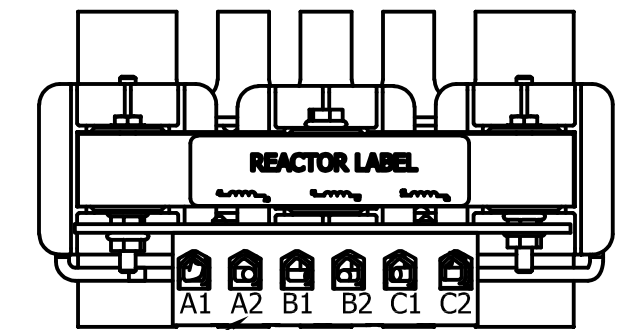
Suggested Customer Entrance
Either Side Of Enclosure.
See Note: 7
(Non Removeable Panel)



Back View



* For single phase applications, use coils A and C,
Isolate terminals B1 and B2.



Markings On
Terminal Block For
Reference Only.

TGI (800) 824-8282 transcoil.com

TGI, LLC
Germanstown, WI, USA
transcoil.com
800-824-8282

KDRUL Drive Reactor
KDR— Motor Amps —
3PH, 50/60Hz, —V Rated, 600V Max, —A Max, RoHS
40C Amb Max, 135C Rise
Manual #30895

UL LISTED CE
UL 508 LISTED
UL 508 LISTED

DATE CODE A1 A2 B1 B2 C1 C2

- Notes:
- For KDRUL Version, See Sheet 2
 - UL file number: cULus Listed File E116124.
 - KDR Drive Reactors Comply With The Thermal and Altitude Standards Set Forth by NEMA ST20-1992.
 - KDR IOM Manual Part Number 30895
 - NEC Current For 208/240 Volts, Horsepower Based On 208 Volts.
 - Material(s) Shall be RoHS Compliant
 - Customer Is Responsible For Installation To Meet All National And Local Electrical Codes.

TGI, LLC CLAIMS PROPRIETARY RIGHTS IN THE MATERIAL HEREIN DISCLOSED. IT IS SUPPLIED WITHOUT PREJUDICE TO ANY PATENT RIGHTS OF TGI AND MAY NOT BE REPRODUCED OR USED TO MANUFACTURE ANYTHING SHOWN THEREIN WITHOUT WRITTEN PERMISSION FROM TGI.				TOLERANCES (EXCEPT AS NOTED) DECIMAL .XX ± .25 .XXX ± .10 FRACTIONAL ± 1/16 ANGULAR ± 1°		W132 N10611 Grant Drive Germanstown, WI 53022 KDR D Frame, Terminal Block, Enclosed Type 1, Reactor Drawing DRN BY: DSW DATE: 3/12/18 107544DG SCALE: 1/3 SIZE: C SHT.1 OF 2	
NO	REVISION	DATE	BY	DATE	BY	DATE	BY