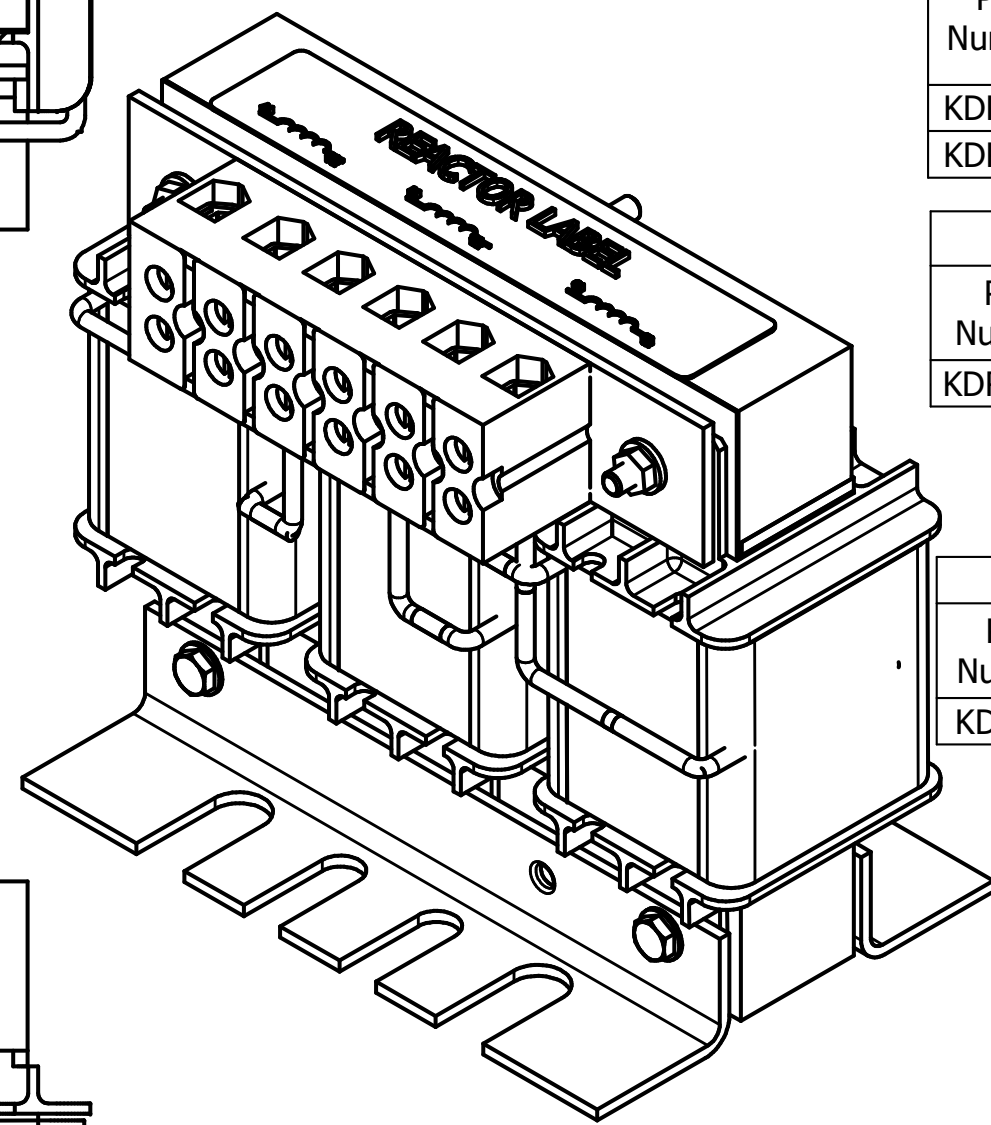


(Customer Connections)  
Markings On Terminal Block  
For Reference Only.

Wire Range: 4-18 AWG.  
Torque : 20 IN-LBS (2.3 Nm)



208/240 Rated Voltage, 600 Max Voltage, High Z, Impedance.

Part Number	Horsepower (HP)	Motor Amps (A)	Maximum Amps (A)	Inductance (uH)	Weight (LBS)	Losses (W)
KDRC22H	20	59.4	62	278	15	113

480 Rated Voltage, 600 Max Voltage, High Z, Impedance.

Part Number	Horsepower (HP)	Motor Amps (A)	Maximum Amps (A)	Inductance (uH)	Weight (LBS)	Losses (W)
KDRC3H	20	27	27	1210	15	108
KDRC1H	25	34	35	980	15	112

575 Rated Voltage, 600 Max Voltage, High Z, Impedance.

Part Number	Horsepower (HP)	Motor Amps (A)	Maximum Amps (A)	Inductance (uH)	Weight (LBS)	Losses (W)
KDRC43H	25	27	30	1670	15	107

480 Rated Voltage, 600 Max Voltage, Low Z, Impedance.

Part Number	Horsepower (HP)	Motor Amps (A)	Maximum Amps (A)	Inductance (uH)	Weight (LBS)	Losses (W)
KDRC1L	40	52	55	387	15	114

575 Rated Voltage, 600 Max Voltage, Low Z, Impedance.

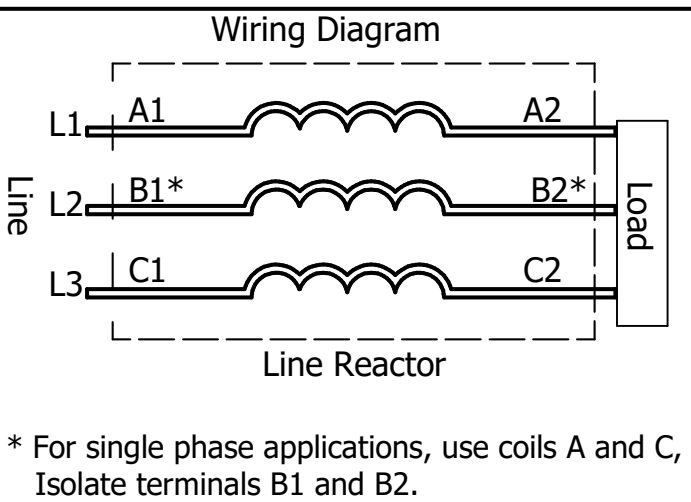
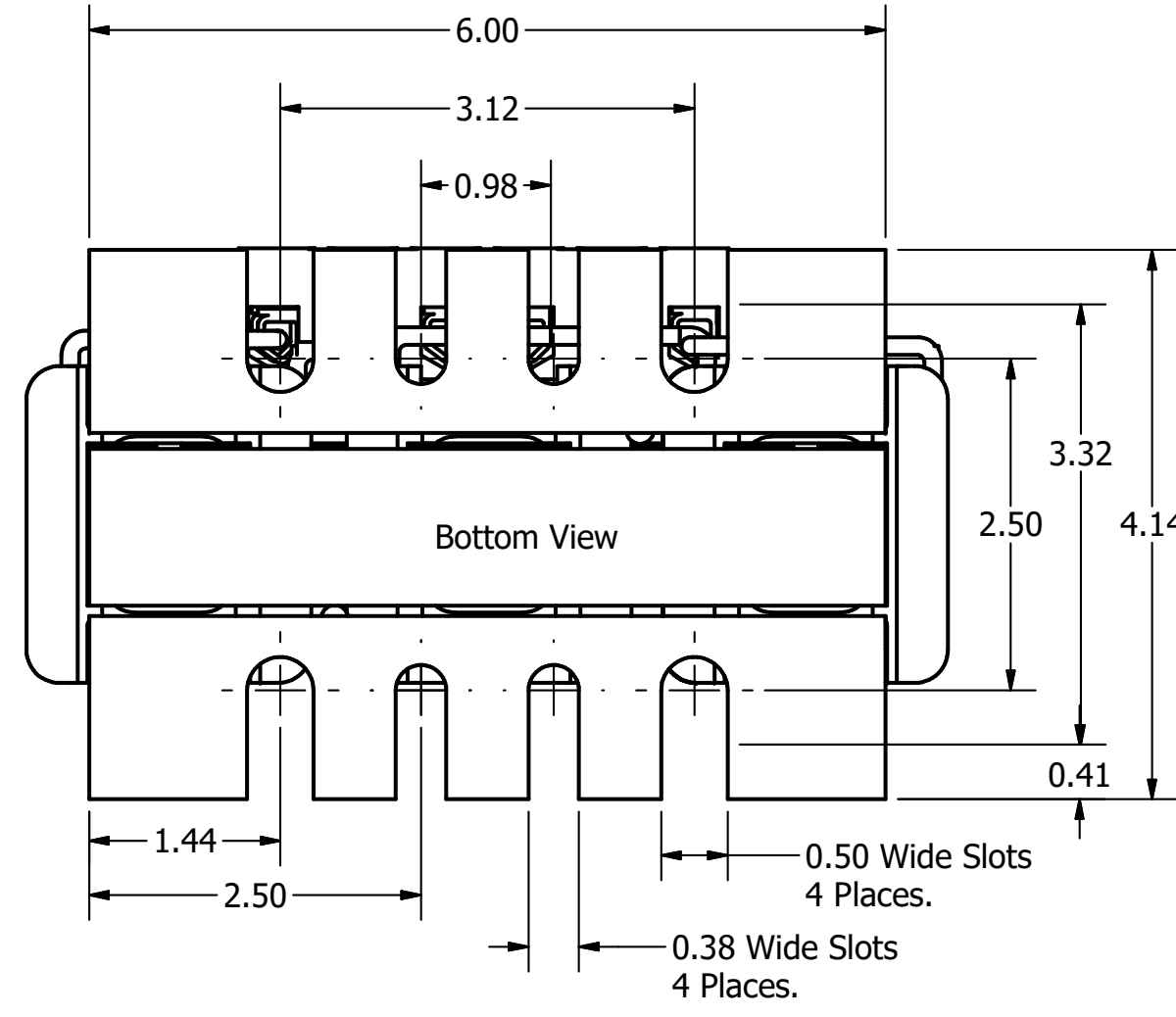
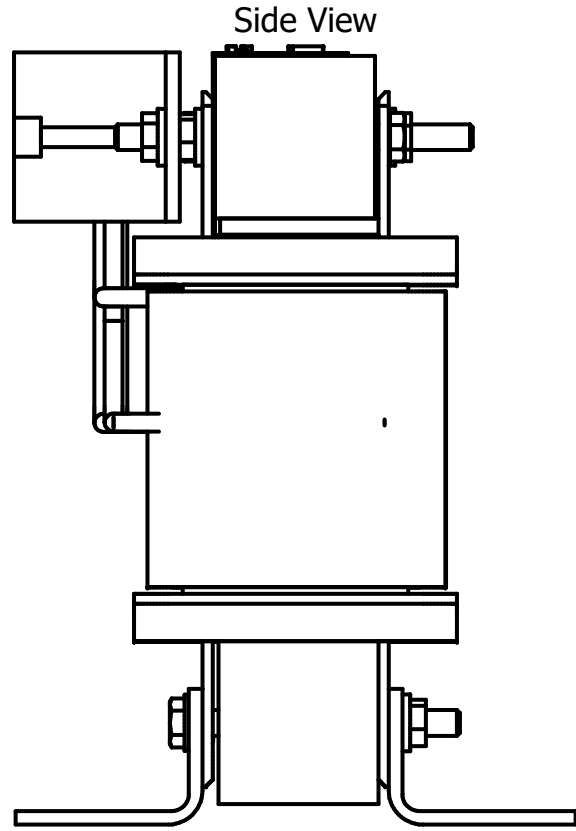
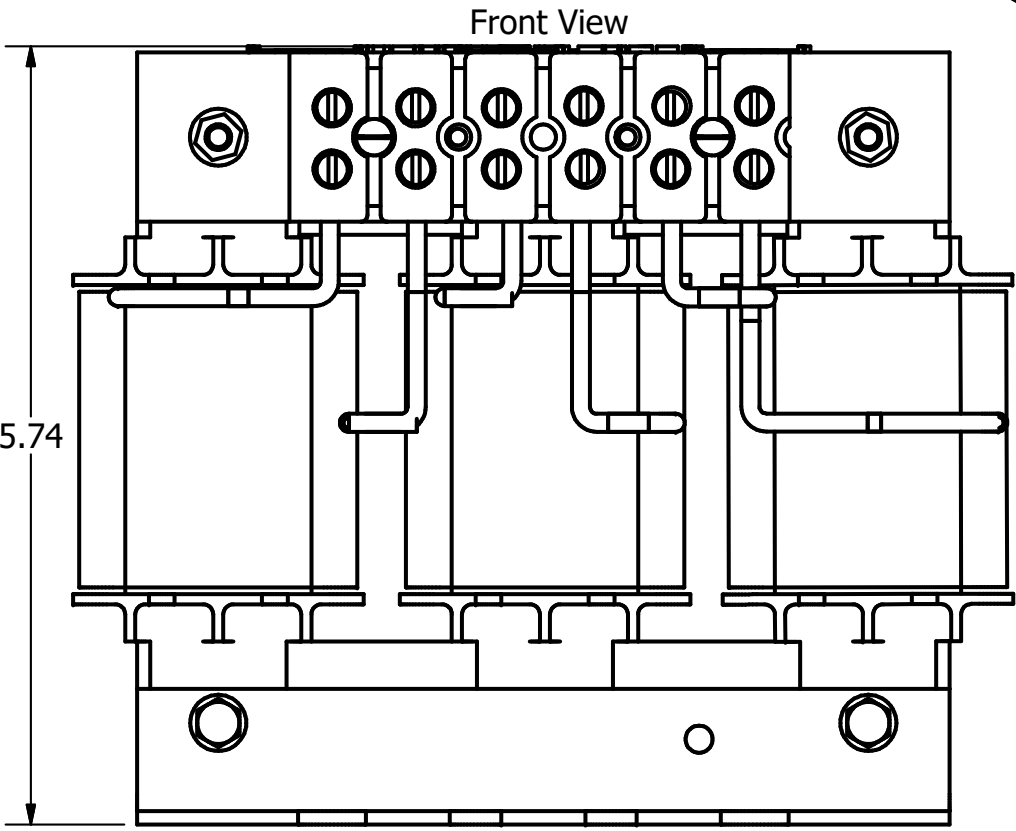
Part Number	Horsepower (HP)	Motor Amps (A)	Maximum Amps (A)	Inductance (uH)	Weight (LBS)	Losses (W)
KDRC43L	40	41	41	672	15	109
KDRC44L	50	52	52	529	15	123

480 Rated Voltage, 600 Max Voltage, Output

Part Number	Horsepower (HP)	Motor Amps (A)	Maximum Amps (A)	Inductance (uH)	Weight (LBS)	Losses (W)
KDRC1P	40	52	55	246	15	70

575 Rated Voltage, 600 Max Voltage, Output

Part Number	Horsepower (HP)	Motor Amps (A)	Maximum Amps (A)	Inductance (uH)	Weight (LBS)	Losses (W)
KDRC31P	50	52	55	237	15	70



\* For single phase applications, use coils A and C, Isolate terminals B1 and B2.

**TGI** (800) 824-8282 [transcoil.com](http://transcoil.com)

KDRUL Drive Reactor  
KDR- Motor Amps —  
3PH, 50/60Hz, —V Rated, 600V Max, —A Max, RoHS  
40C Amb Max, 135C Rise  
Manual #30895

UL LISTED CE  
3RD PART. 10, 11000

DATE CODE A1 A2 B1 B2 C1 C2

- Notes:
1. For KDRUL Version, See Sheet 2
  2. UL file number: cULus Listed File E116124.
  3. KDR Drive Reactors Comply With The Thermal and Altitude Standards Set Forth by NEMA ST20-1992.
  4. KDR IOM Manual Part Number 30895
  5. NEC Current For 208/240 Volts, Horsepower Based On 208 Volts.
  6. Material(s) Shall be RoHS Compliant
  7. Customer Is Responsible For Installation To Meet All National And Local Electrical Codes.

TGI, LLC CLAIMS PROPRIETARY RIGHTS IN THE MATERIAL HEREIN DISCLOSED. IT IS SUPPLIED WITHOUT PREJUDICE TO ANY PATENT RIGHTS OF TGI AND MAY NOT BE REPRODUCED OR USED TO MANUFACTURE ANYTHING SHOWN THEREIN WITHOUT WRITTEN PERMISSION FROM TGI.				TOLERANCES (EXCEPT AS NOTED) DECIMAL XX ± .25 .XXX ± .10 FRACTIONAL ± 1/16 ANGULAR ± 1°		W132 N10611 Grant Drive Germantown, WI 53022 KDR C Frame, Terminal Block Reactor Drawing DRN BY DSW DATE: 1/22/18 107512DG SCALE: 1:1.5 APRVD: SIZE C SHT 1 OF 4	
A	Combined Drawings	1/22/18	DSW	NO	REVISION	DATE	BY