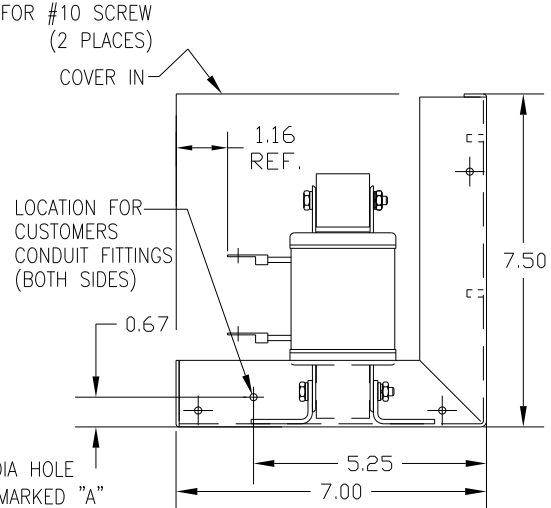
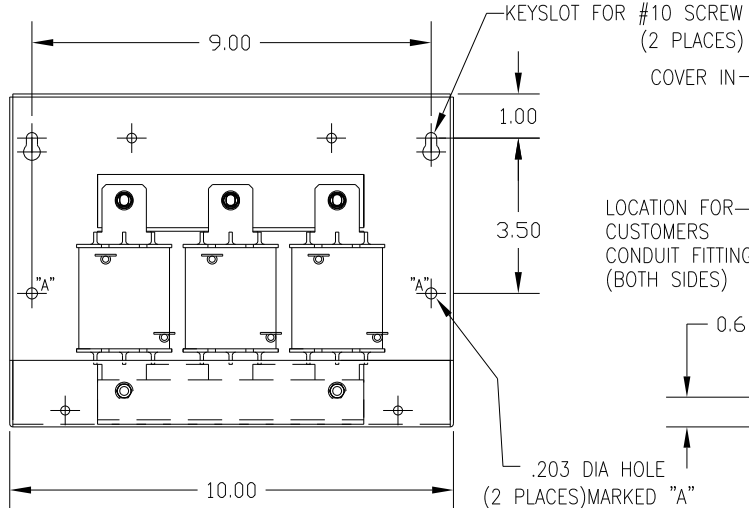
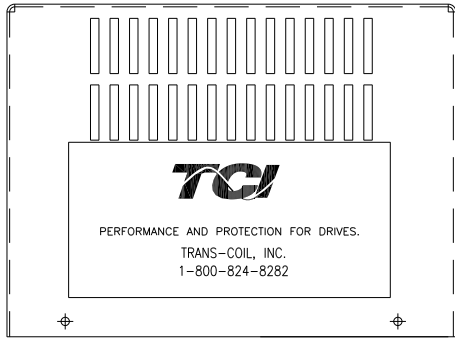
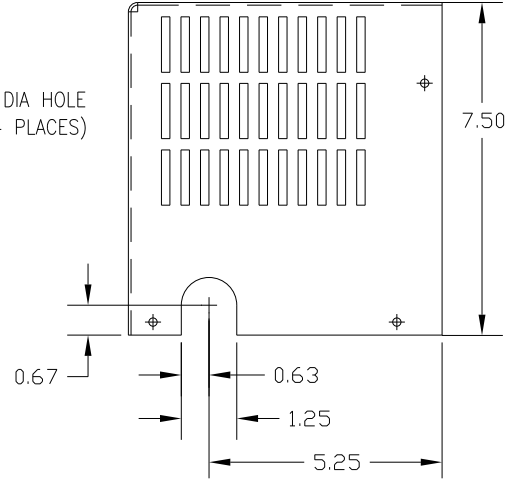
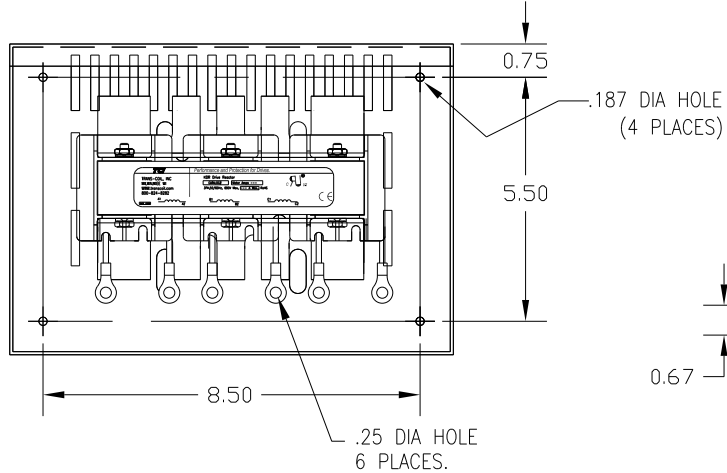
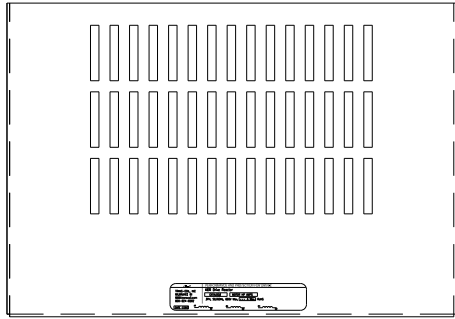


CATALOG NO	VOLTAGE	NEC MOTOR HP	NEC MOTOR CURRENT	WATTS LOSS	APPROX WT-LBS
KDRC43HC2V	690	25	27	107	21



CUSTOMER IS RESPONSIBLE FOR INSTALLATION TO MEET ALL NATIONAL AND LOCAL ELECTRICAL CODES.

				TOLERANCES (EXCEPT AS NOTED) DECIMAL .XX ± .03 .XXX ± .01 FRACTIONAL ± 1/32 ANGULAR ± 1/2°	
				7878 N. 86th STREET MILWAUKEE, WI 53224	
				KDR DRIVE REACTOR, ENCLOSED 690V HIGH Z, FRAME C	
NO	REVISION	DATE	BY	DRN. BY DSW	DATE 2/17/12 APRVD. SHT. 1 OF 1