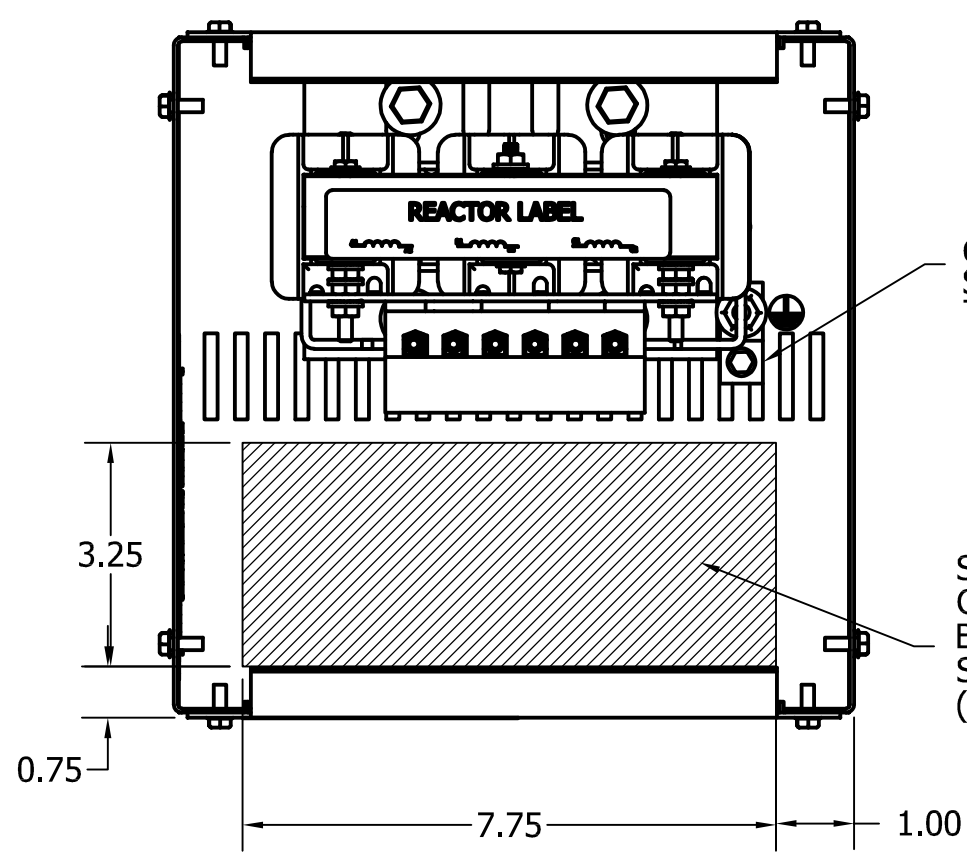
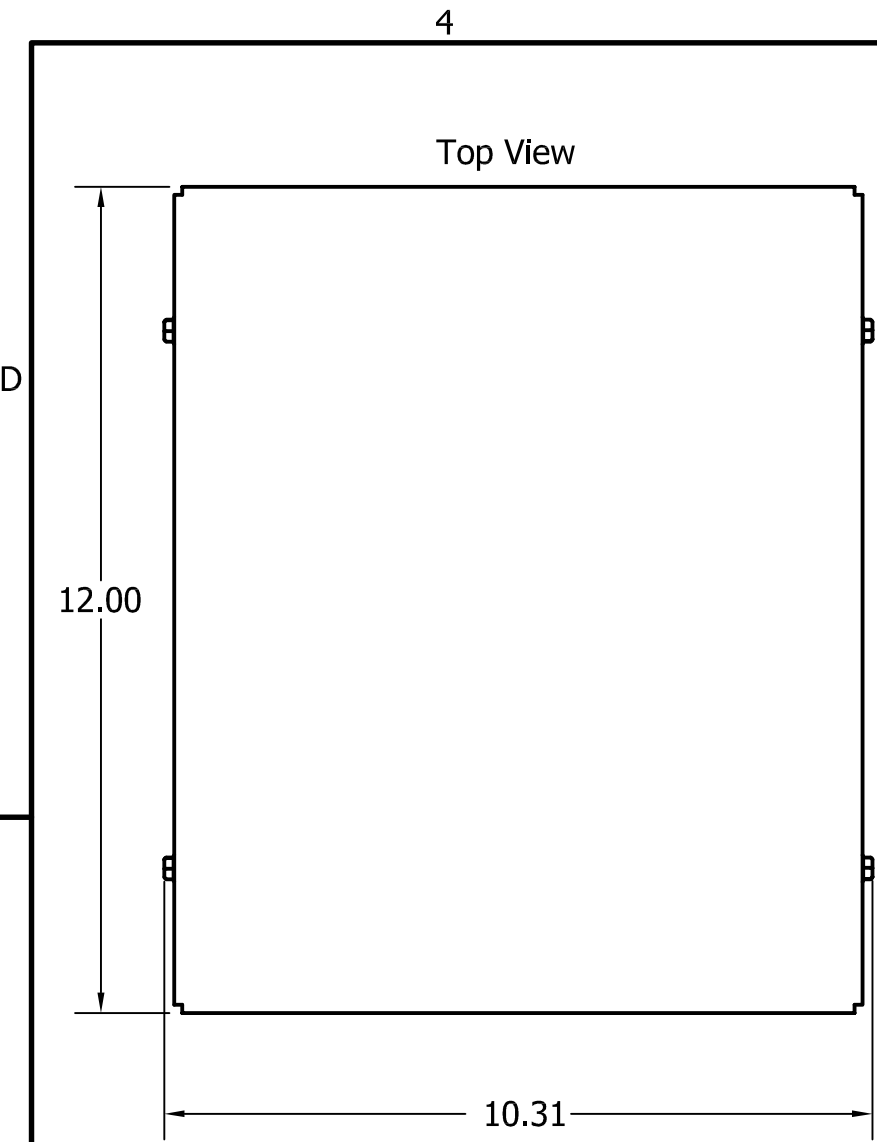
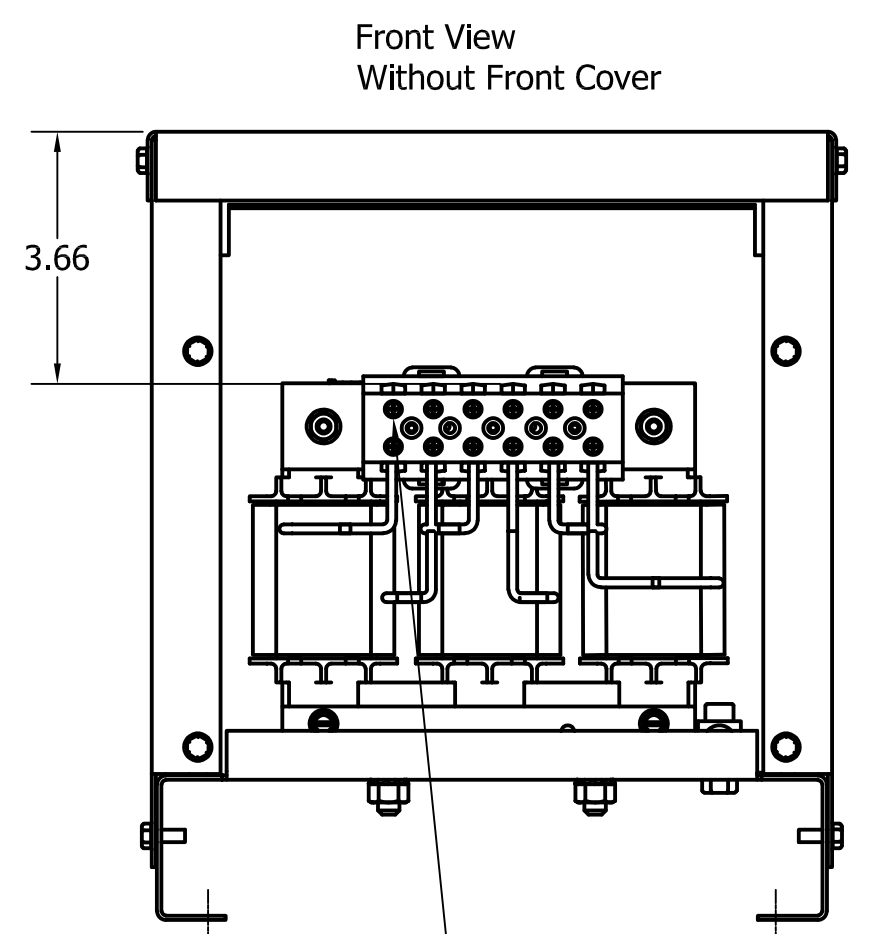
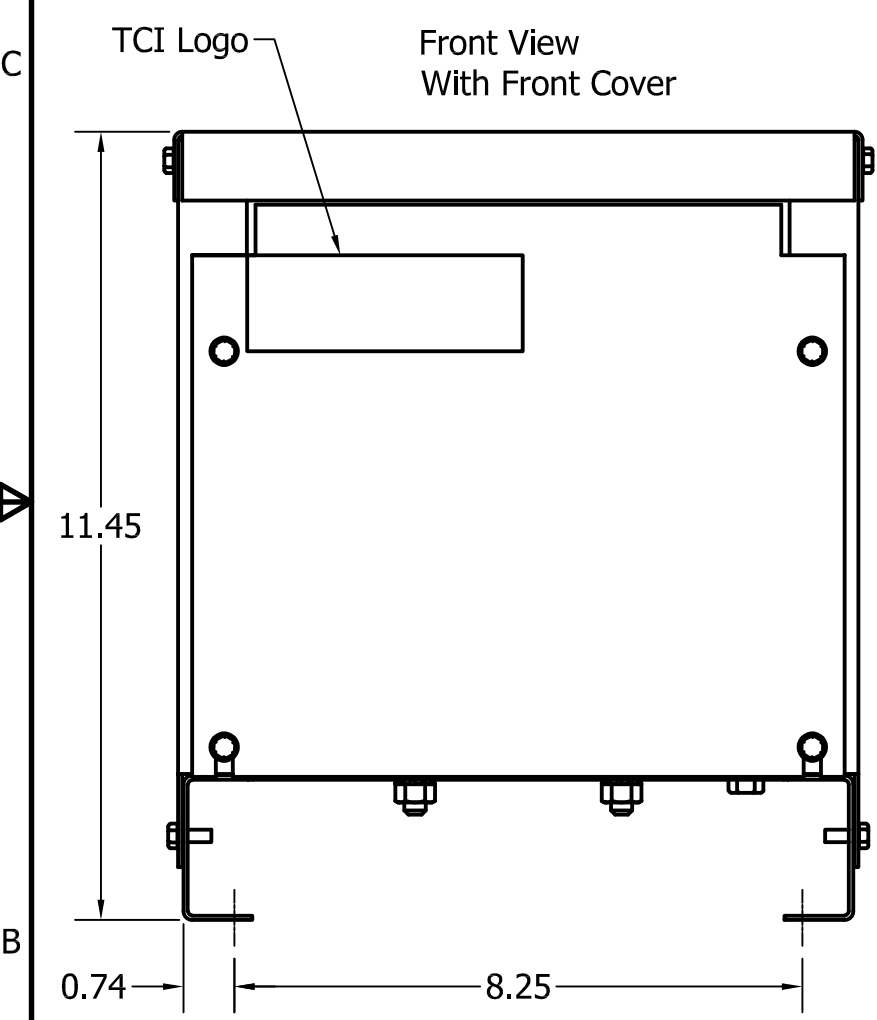


208/240 Rated Voltage, 600 Max Voltage, Low Z, Impedance.						
Part Number	Horsepower (HP)	Motor Amps (A)	Maximum Amps (A)	Inductance (uH)	Weight (LBS)	Losses (W)
KDRC22LE3R	25	74.8	80	138	25.4	114



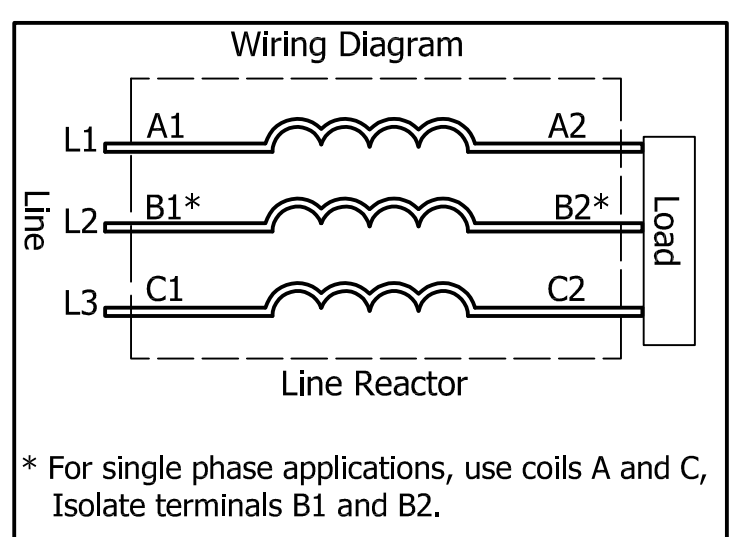
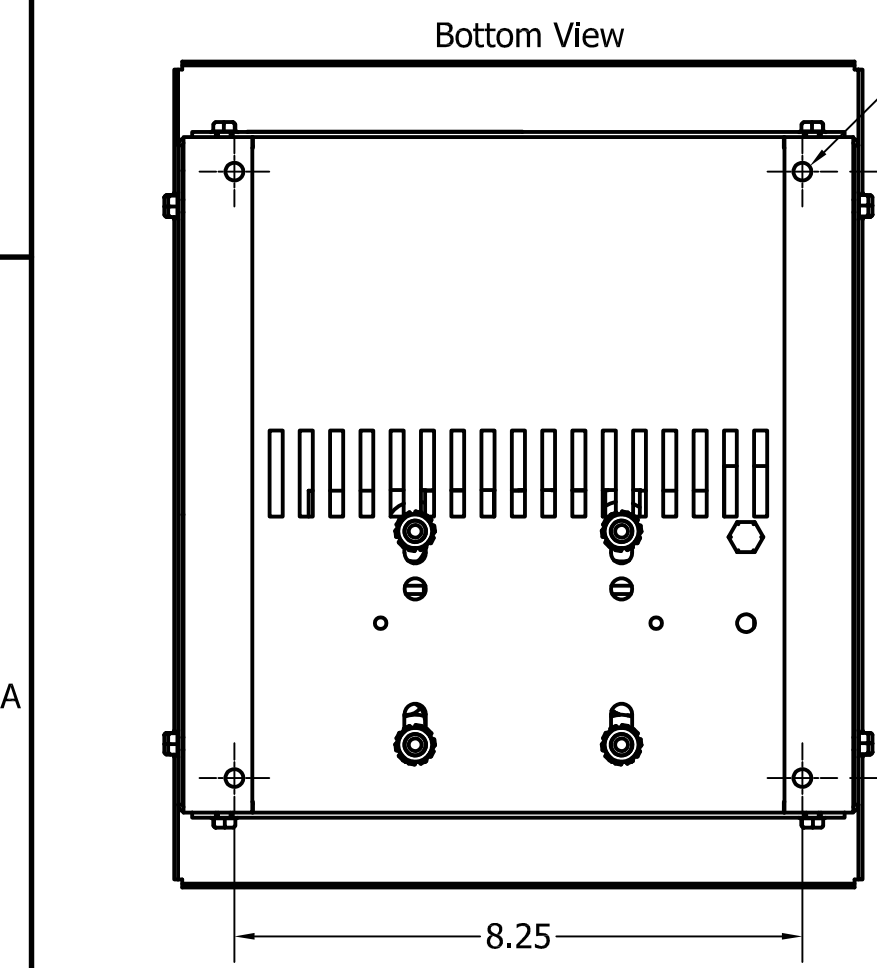
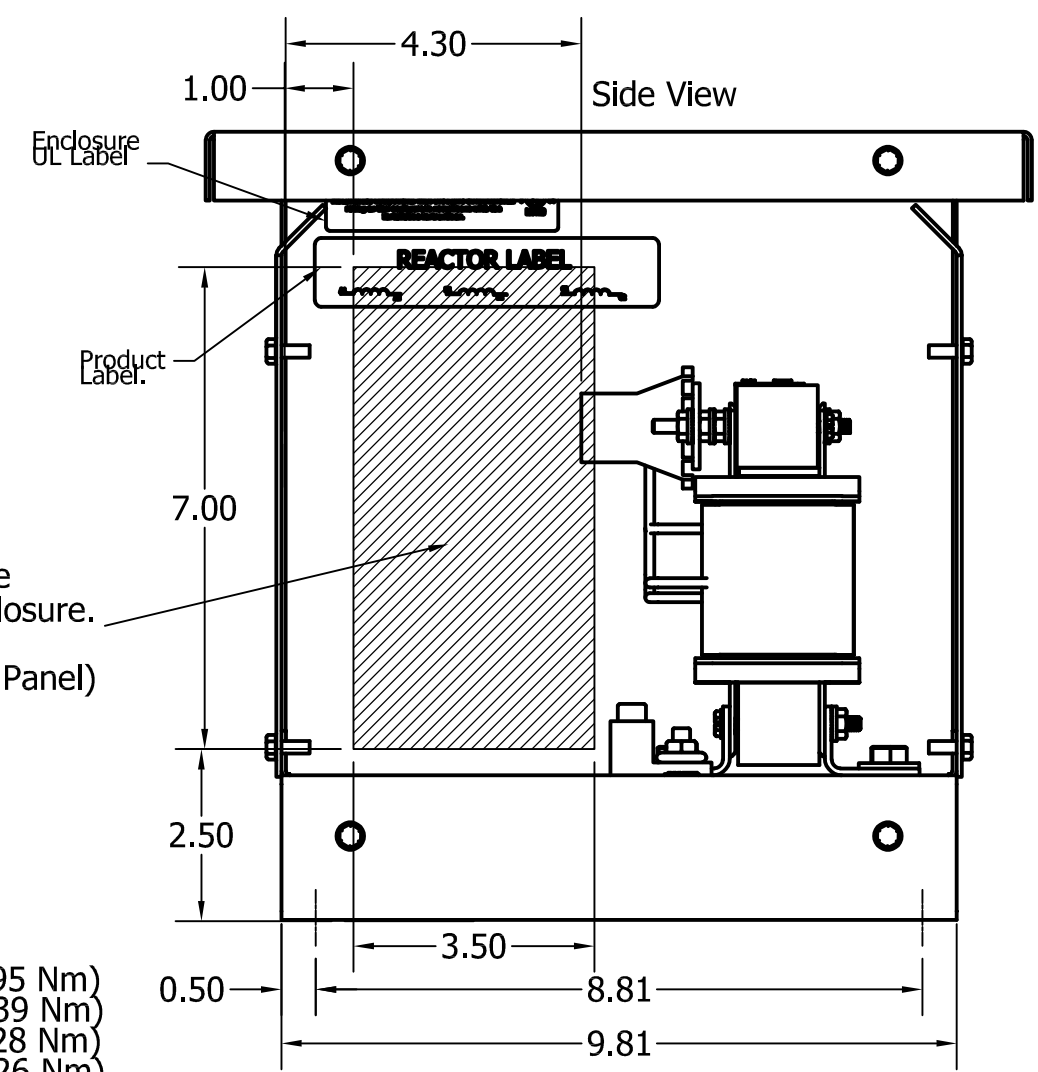
Ground Lug.
See IOM Manual, Part# 30895
Table S2/0, Wire Size And Torque.

Suggested
Customer Wire Entrance
Bottom Of Enclosure.
See Note: 7
(Non Removeable Panel)

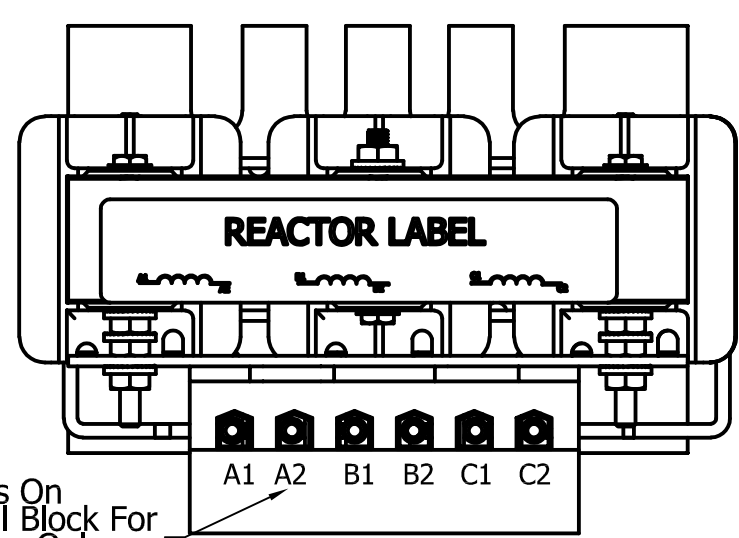


Suggested
Customer Entrance
Either Side Of Enclosure.
See Note: 7
(Non Removeable Panel)

Wire Range: 1- 4 AWG. Torque : 35 IN-LBS (3.95 Nm)
6- 14 AWG. Torque : 30 IN-LBS (3.39 Nm)
16- 20 AWG. Torque : 25 IN-LBS (2.28 Nm)
22 AWG. Torque : 20 IN-LBS (2.26 Nm)



Markings On
Terminal Block For
Reference Only.



TCI (800) 824-8282 transcoll.com

TCI, LLC
Germantown, WI, USA
transcoll.com
800-824-8282

KDRUL Drive Reactor
KDR- Motor Amps —
3PH, 50/60Hz, —V Rated, 600V Max, —A Max, RoHS
40C Amb Max, 135C Rise
Manual #30895

UL LISTED
cULus LISTED

DATE CODE

- Notes:
1. For KDRUL Version, See Sheet 4
 2. UL file number: cULus Listed File E116124.
 3. KDR Drive Reactors Comply With The Thermal and Altitude Standards Set Forth by NEMA ST20-1992.
 4. KDR IOM Manual Part Number 30895
 5. NEC Current For 208/240 Volts, Horsepower Based On 208 Volts.
 6. Material(s) Shall be RoHS Compliant
 7. Customer Is Responsible For Installation To Meet All National And Local Electrical Codes.

TCI, LLC CLAIMS PROPRIETARY RIGHTS IN THE MATERIAL HEREIN DISCLOSED. IT IS SUPPLIED WITHOUT PREJUDICE TO ANY PATENT RIGHTS OF TCI AND MAY NOT BE REPRODUCED OR USED TO MANUFACTURE ANYTHING SHOWN THEREIN WITHOUT WRITTEN PERMISSION FROM TCI.				TOLERANCES (EXCEPT AS NOTED) DECIMAL .XX ± .25 .XXX ± .10 FRACTIONAL ± 1/16 ANGULAR ± 1°		W132 N10611 Grant Drive Germantown, WI 53022 KDR C Frame, Terminal Block, Enclosed Type 3R, Reactor Drawing DRN BY: DSV DATE: 4/23/18 SIZE: 107549DG SCALE: 1/3 APRVD: C SHT 3 OF 4	
NO	REVISION	DATE	BY				