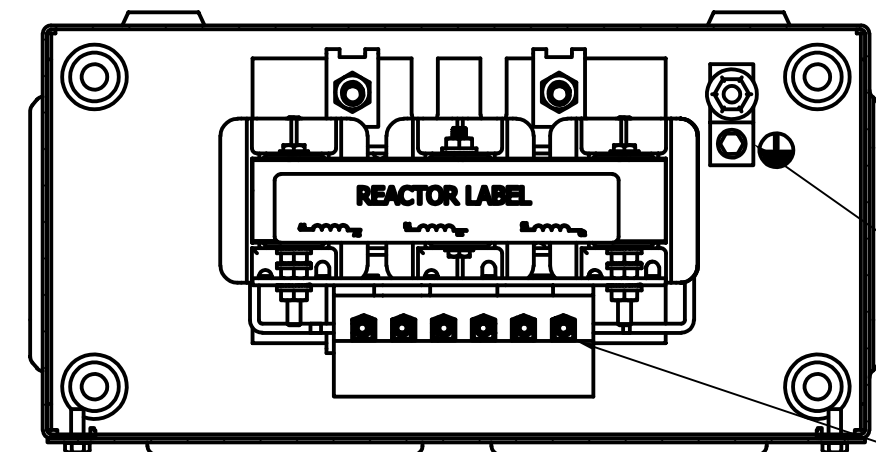
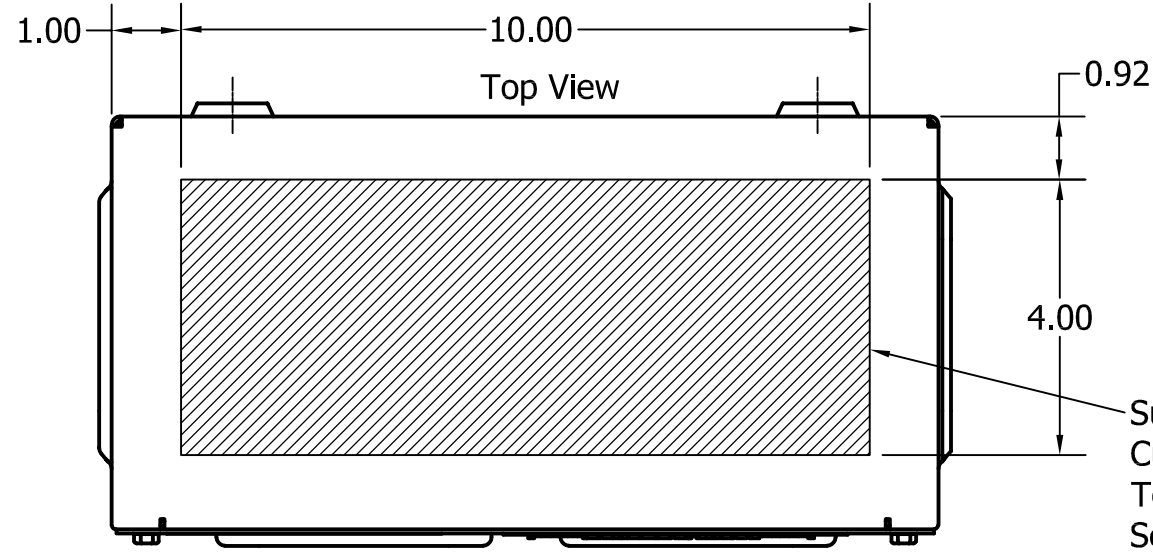


208/240 Rated Voltage, 600 Max Voltage, Low Z, Impedance.						
Part Number	Horsepower (HP)	Motor Amps (A)	Maximum Amps (A)	Inductance (uH)	Weight (LBS)	Losses (W)
KDRC22LE01	25	74.8	80	138	25.4	114

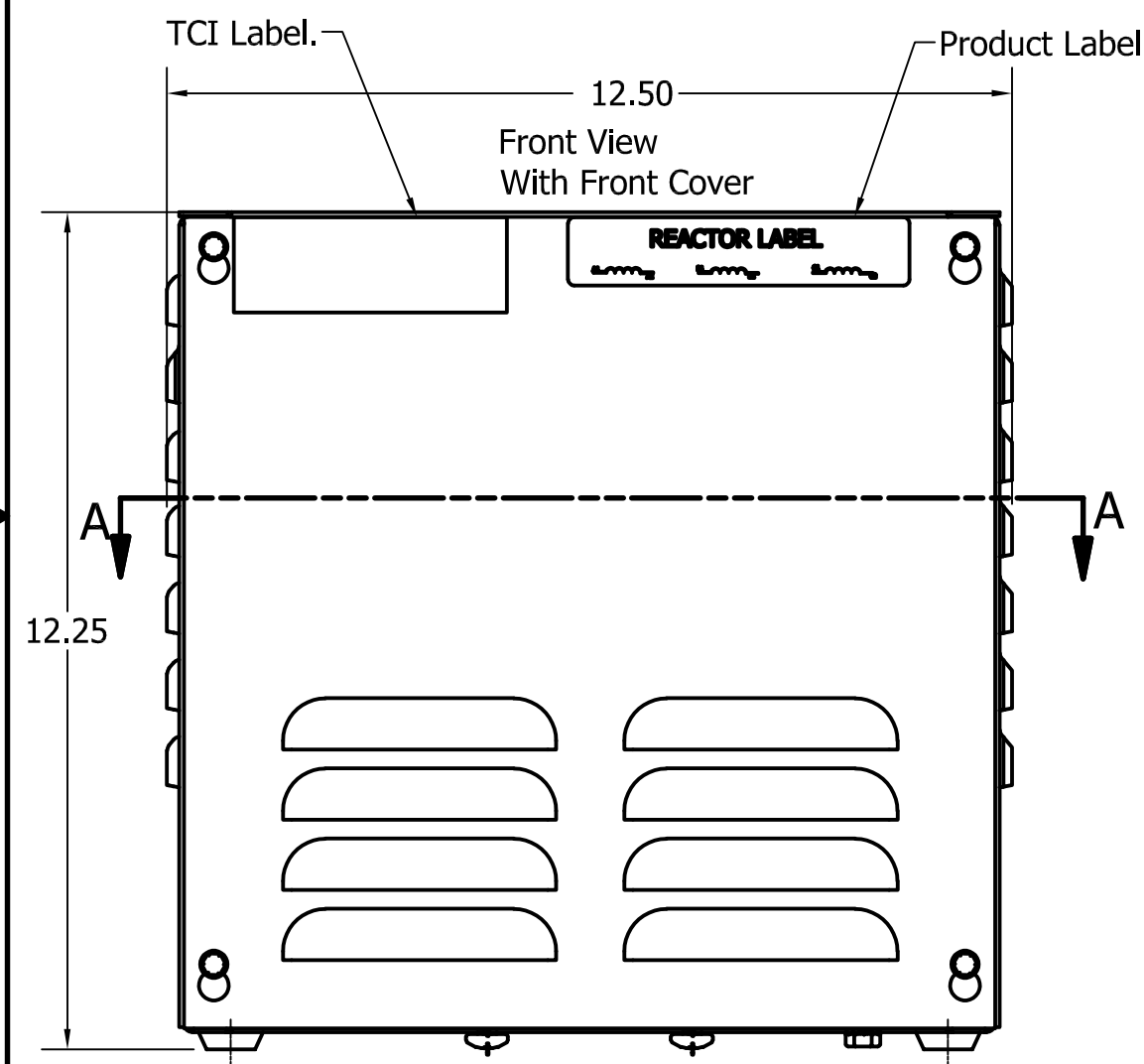


Ground Lug.
See IOM Manual, Part# 30895
Table S2/0, Wire Size And Torque.

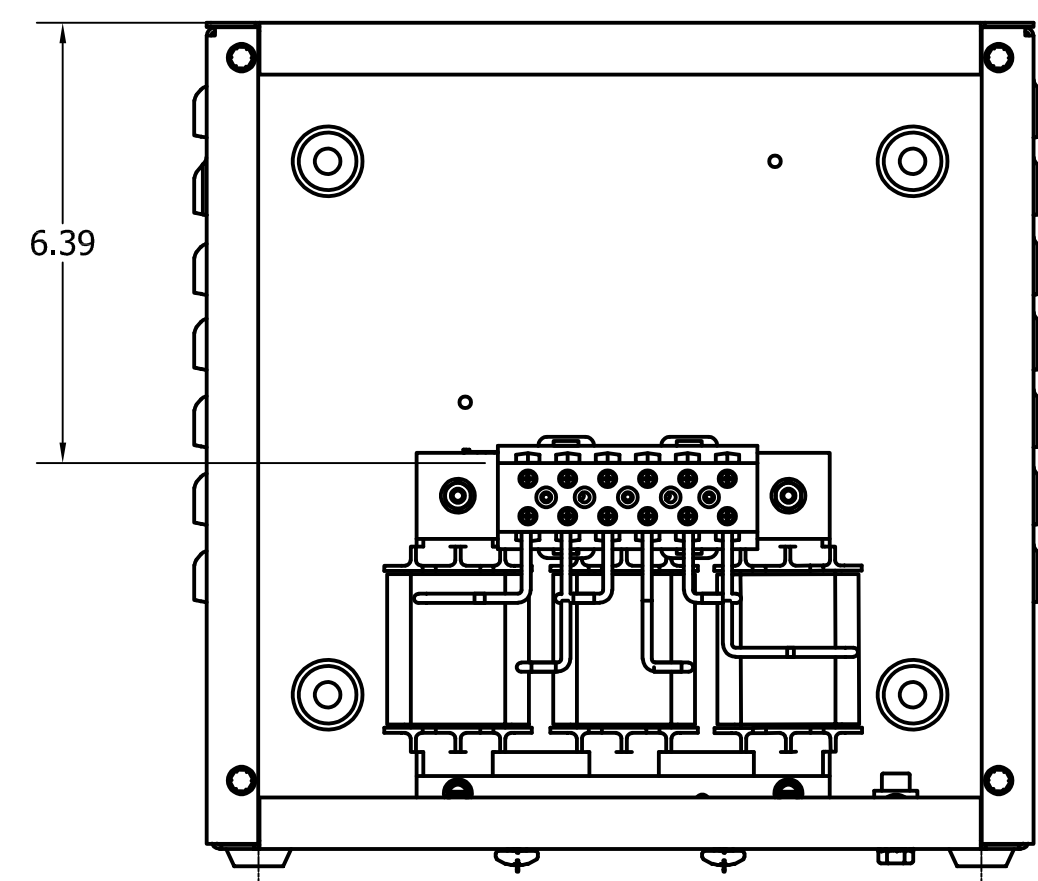
Wire Range: 1- 4 AWG. Torque : 35 IN-LBS (3.95 Nm)
6- 14 AWG. Torque : 30 IN-LBS (3.39 Nm)
16- 20 AWG. Torque : 25 IN-LBS (2.28 Nm)
22 AWG. Torque : 20 IN-LBS (2.26 Nm)



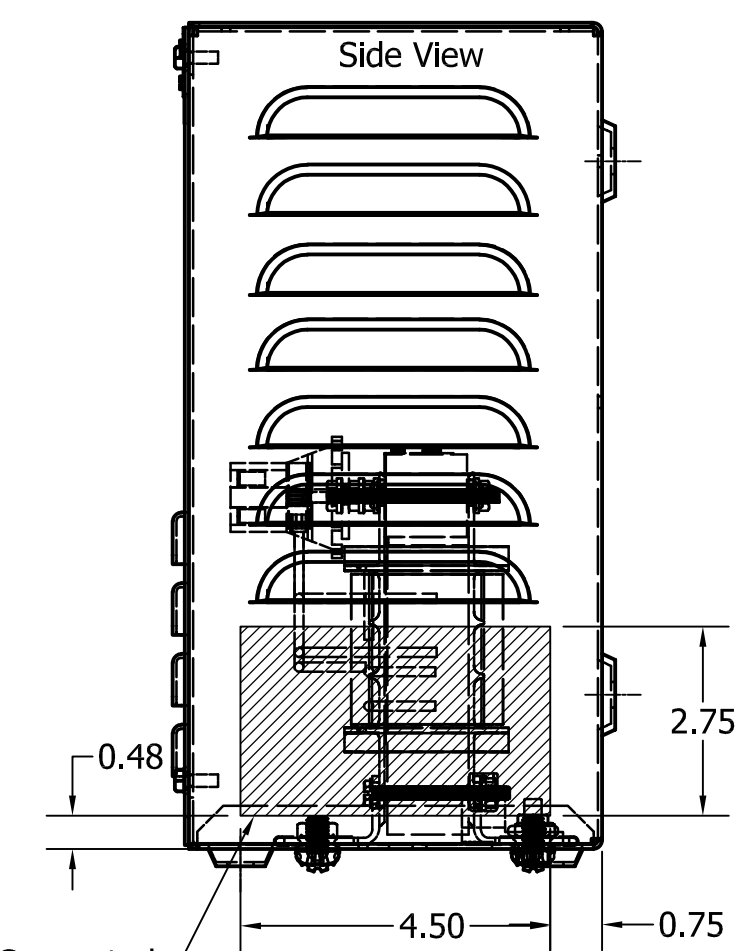
Suggested Customer Wire Entrance
Top Of Enclosure.
See Note: 7
(Non Removeable Panel)



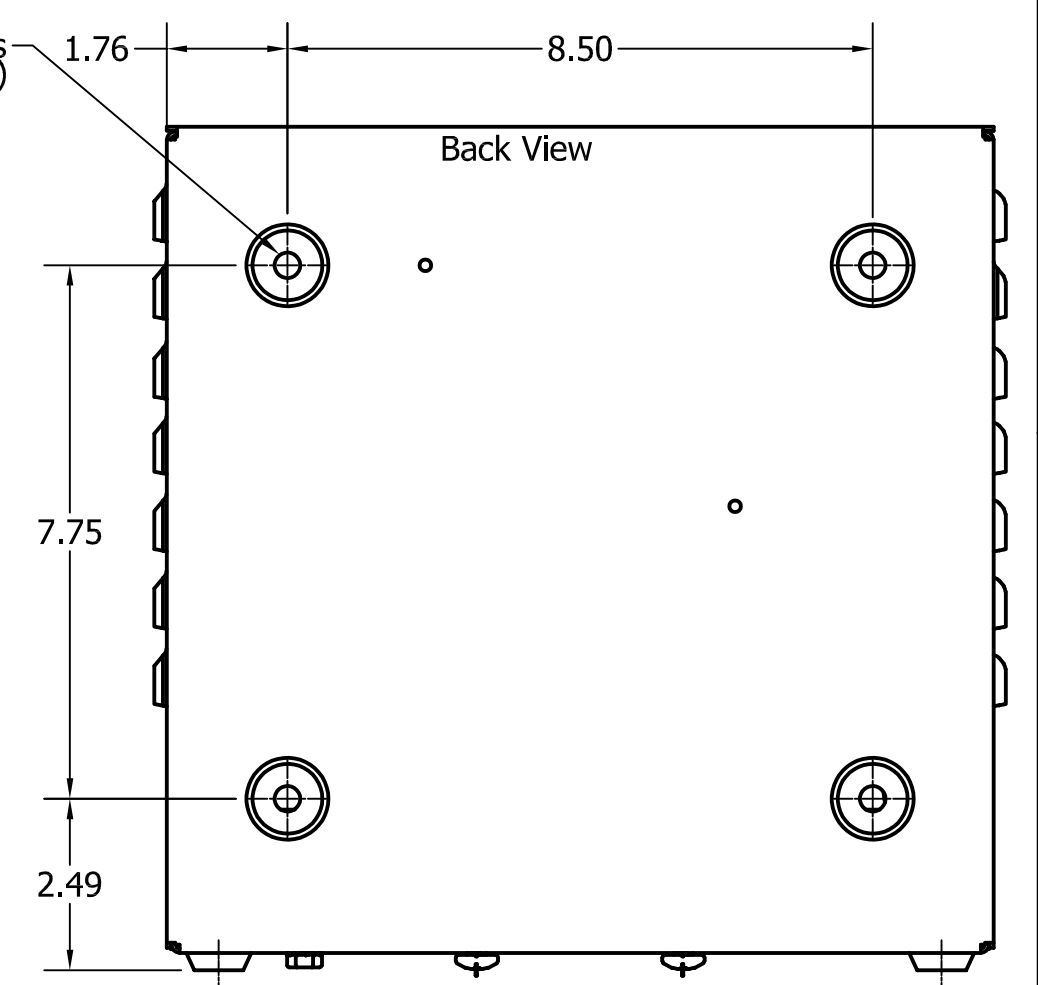
Front View
Without Front Cover



Side View
0.38 Dia Holes
4 Places, (Back of Enclosure)



Suggested Customer Entrance
Either Side Of Enclosure.
See Note:7
(Non Removeable Panel)



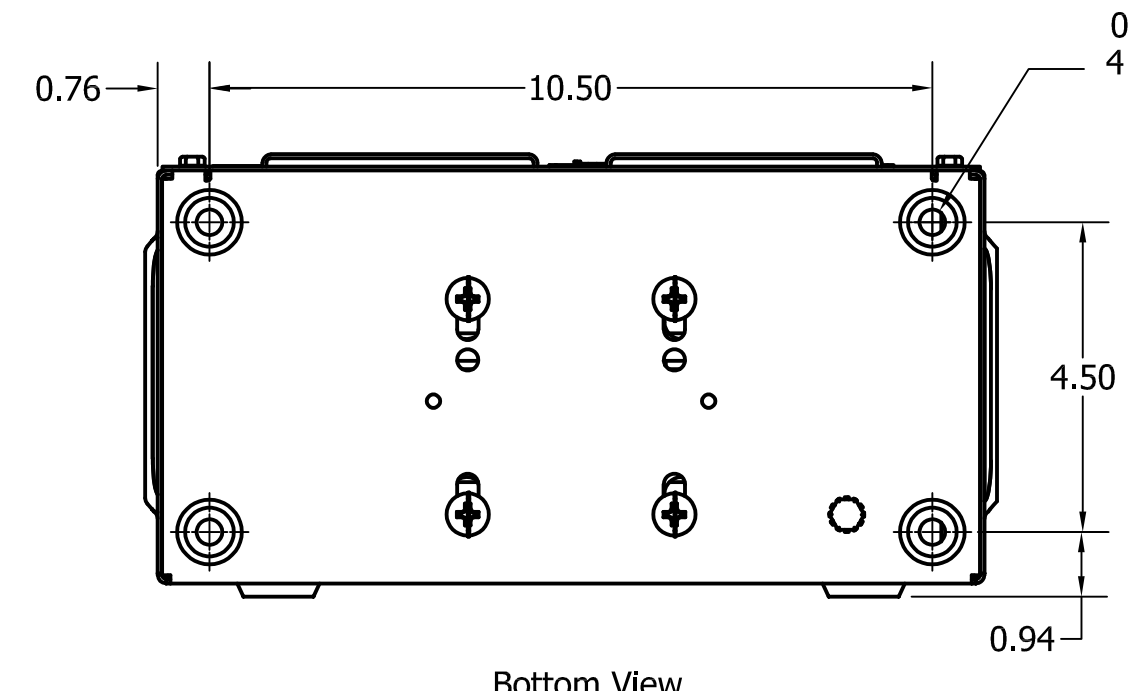
TCL (800) 824-8282 transcoil.com

KDRUL Drive Reactor
KDR- Motor Amps —
3PH, 50/60Hz, —V Rated, 600V Max, —A Max, RoHS
40C Amb Max, 135C Rise
Manual #30895

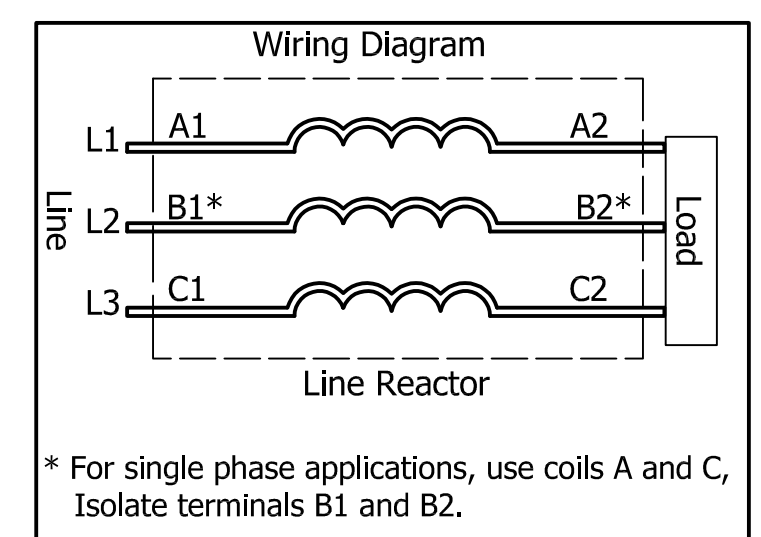
TCI, LLC
Germantown, WI, USA
transcoil.com
800-824-8282

UL LISTED CE
3RD CLASS, 50, 600V

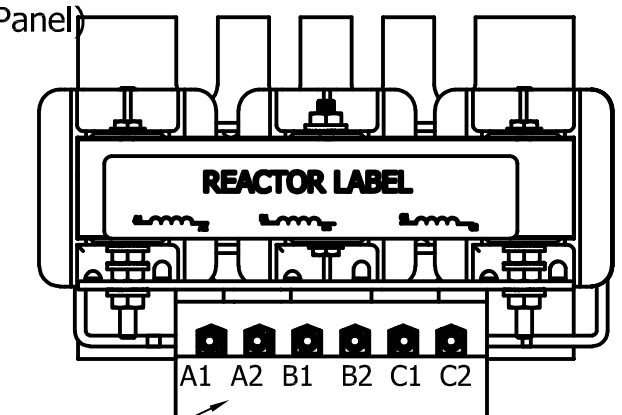
DATE CODE A1 A2 B1 B2 C1 C2



Bottom View



* For single phase applications, use coils A and C,
Isolate terminals B1 and B2.



Markings On
Terminal Block For
Reference Only.

- Notes:
1. For KDRUL Version, See Sheet 4
 2. UL file number: cULus Listed File E116124.
 3. KDR Drive Reactors Comply With The Thermal and Altitude Standards Set Forth by NEMA ST20-1992.
 4. KDR IOM Manual Part Number 30895
 5. NEC Current For 208/240 Volts, Horsepower Based On 208 Volts.
 6. Material(s) Shall be RoHS Compliant
 7. Customer Is Responsible For Installation To Meet All National And Local Electrical Codes.

TCI, LLC CLAIMS PROPRIETARY RIGHTS IN THE MATERIAL HEREIN DISCLOSED. IT IS SUPPLIED WITHOUT PREJUDICE TO ANY PATENT RIGHTS OF TCI AND MAY NOT BE REPRODUCED OR USED TO MANUFACTURE ANYTHING SHOWN THEREIN WITHOUT WRITTEN PERMISSION FROM TCI.				TOLERANCES (EXCEPT AS NOTED) DECIMAL .XX ± .25 .XXX ± .10 FRACTIONAL ± 1/16 ANGULAR ± 1°		W132 N10611 Grant Drive Germantown, WI 53022 KDR C Frame, Terminal Block, Enclosed Type 1, Reactor Drawing DRN BY DSW DATE: 3/7/18 107543DG SCALE: 1/3 APRVD: SIZE C SHT.3 OF 4	
NO	REVISION	DATE	BY	NO	REVISION	DATE	BY