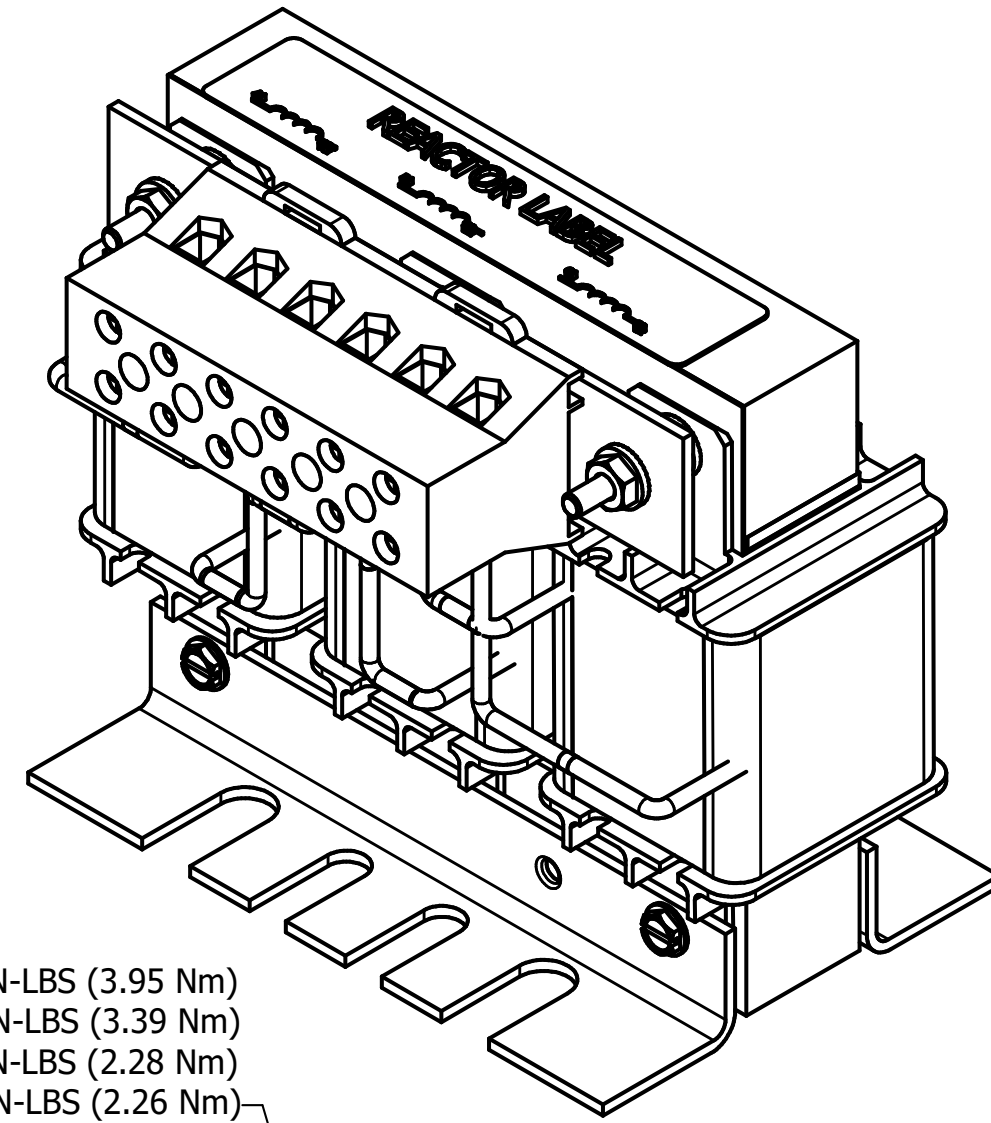
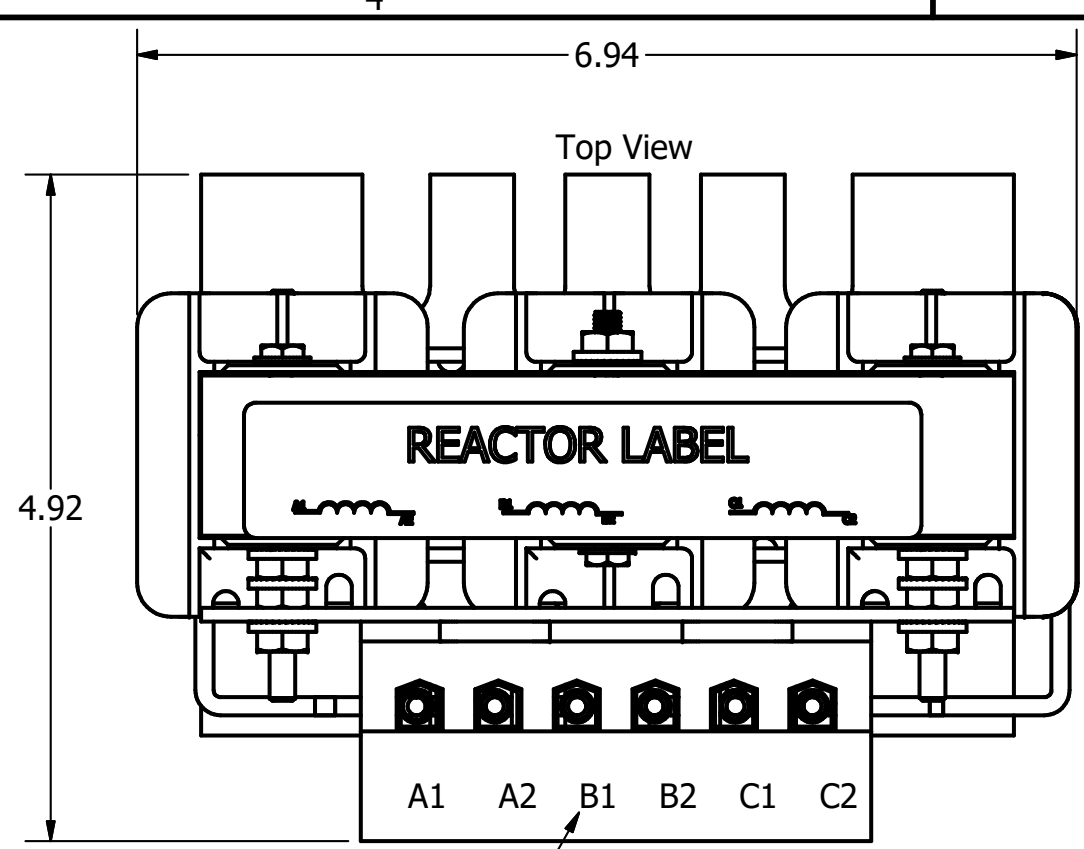


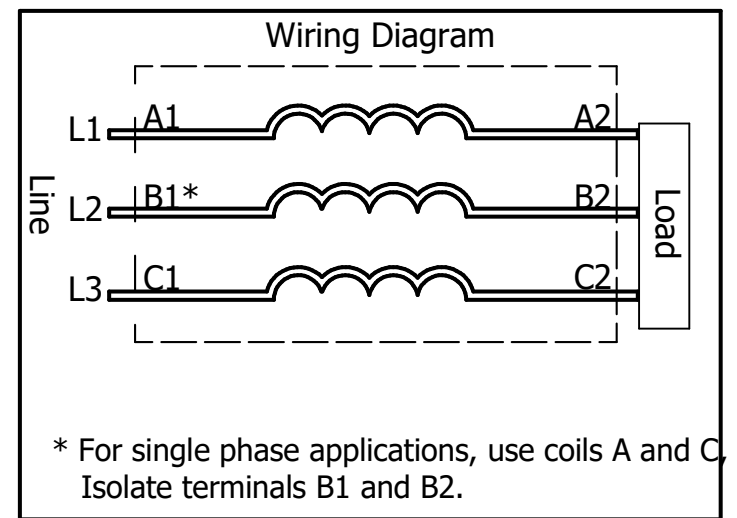
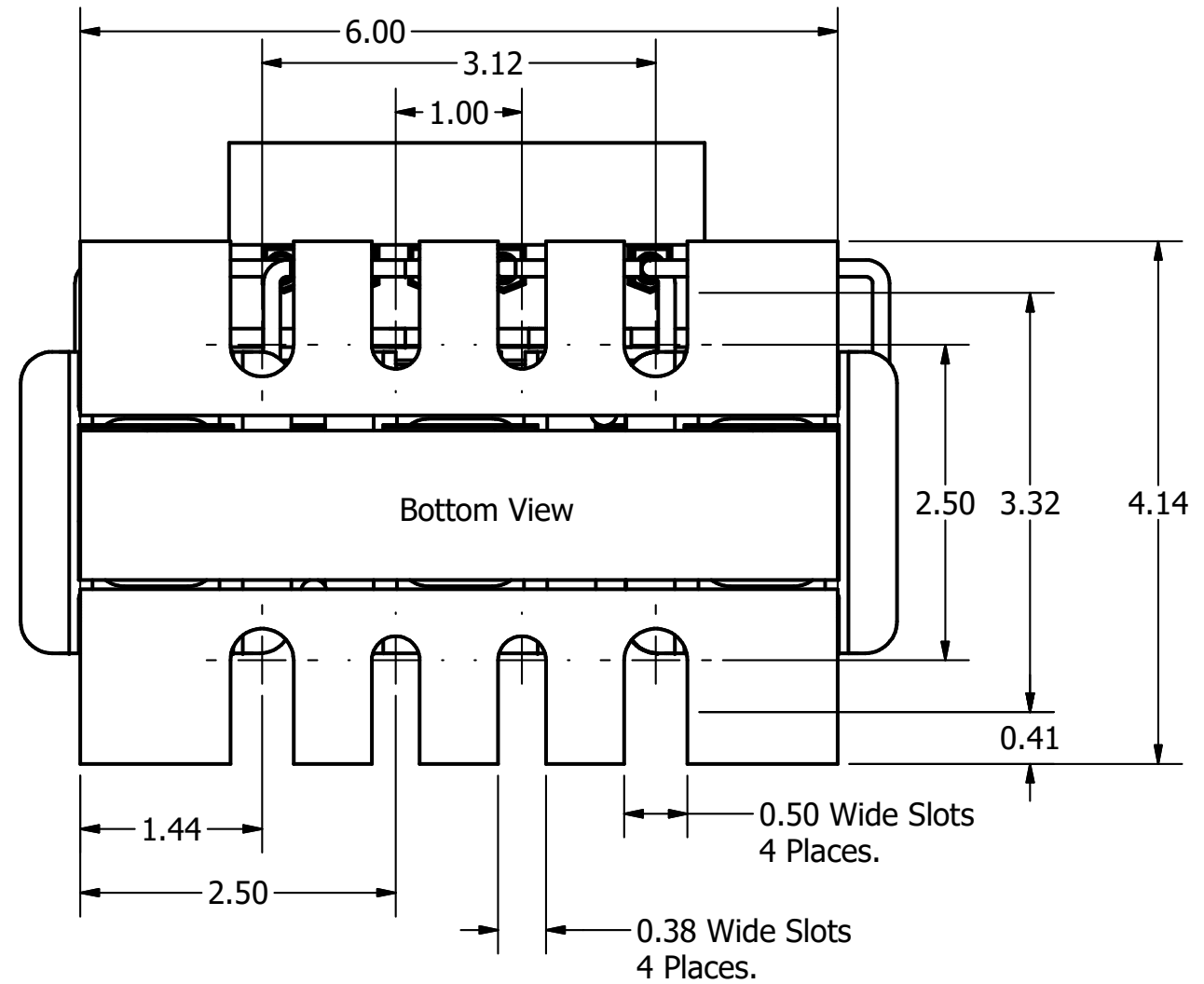
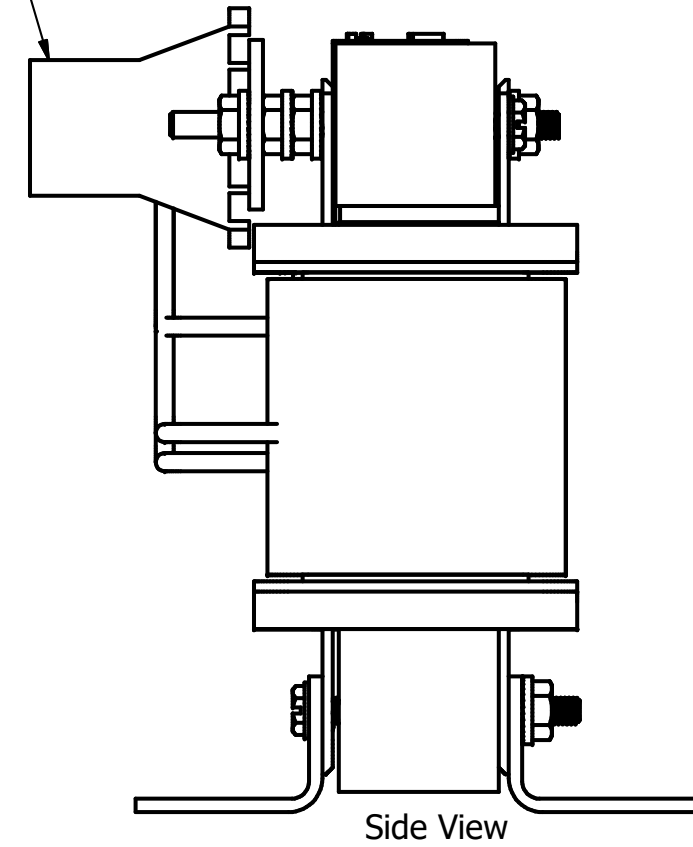
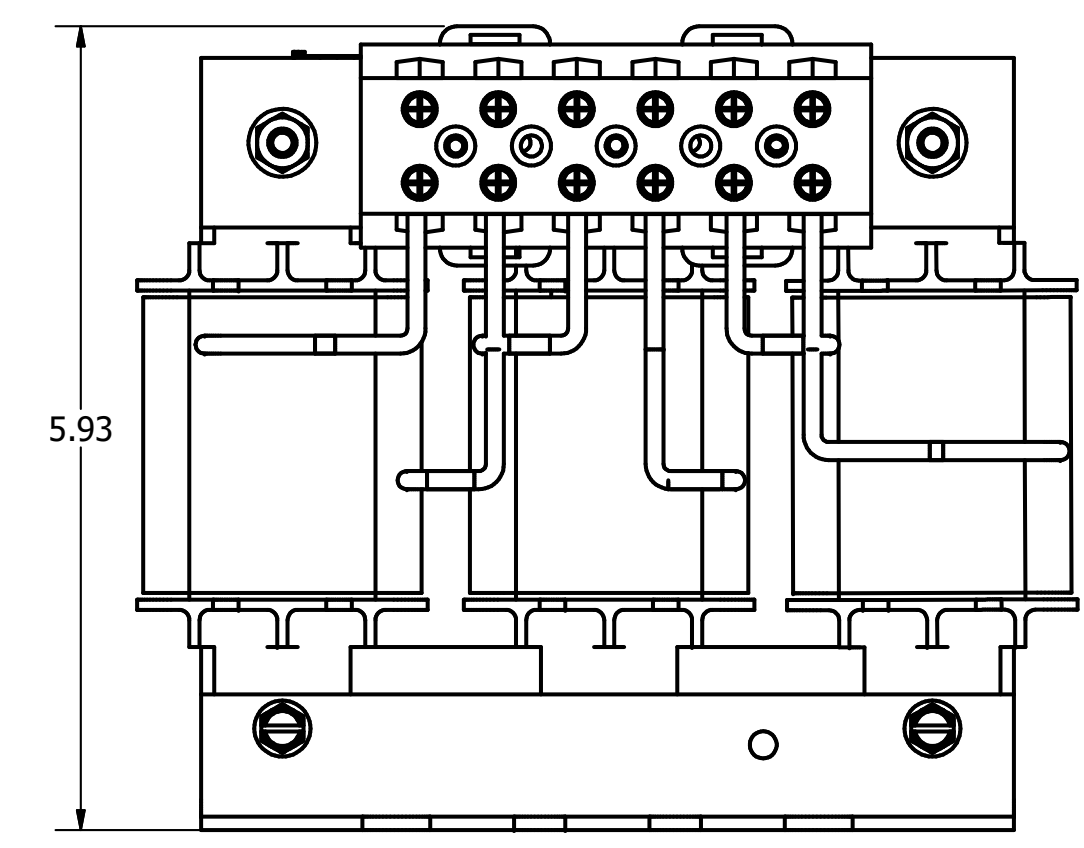
208/240 Rated Voltage, 600 Max Voltage, Low Z, Impedance.

| Part Number | Horsepower (HP) | Motor Amps (A) | Maximum Amps (A) | Inductance (uH) | Weight (LBS) | Losses (W) |
|-------------|-----------------|----------------|------------------|-----------------|--------------|------------|
| KDRC22L | 25 | 74.8 | 80 | 138 | 15 | 114 |



(Customer Connections) Markings On Terminal Block For Reference Only.

Wire Range: 1- 4 AWG. Torque : 35 IN-LBS (3.95 Nm)
 6- 14 AWG. Torque : 30 IN-LBS (3.39 Nm)
 16- 20 AWG. Torque : 25 IN-LBS (2.28 Nm)
 22 AWG. Torque : 20 IN-LBS (2.26 Nm)



TGI (800) 824-8282 transcoll.com

TGI, LLC Germantown, WI, USA. transcoll.com 800-824-8282

KDRUL Drive Reactor Motor Amps — 3PH, 50/60Hz, —V Rated, 600V Max, —A Max, RoHS 40C Amb Max, 135C Rise Manual #30895

UL LISTED CE

DATE CODE A1 A2 B1 B2 C1 C2

- Notes:
1. For KDRUL Version, See Sheet 4
 2. UL file number: cULus Listed File E116124.
 3. KDR Drive Reactors Comply With The Thermal and Altitude Standards Set Forth by NEMA ST20-1992.
 4. KDR IOM Manual Part Number 30895
 5. NEC Current For 208/240 Volts, Horsepower Based On 208 Volts.
 6. Material(s) Shall be RoHS Compliant
 7. Customer Is Responsible For Installation To Meet All National And Local Electrical Codes.

| | | | | | | | | |
|--|--|--|------------------------------|--|--|--|--|--|
| TGI, LLC CLAIMS PROPRIETARY RIGHTS IN THE MATERIAL HEREIN DISCLOSED. IT IS SUPPLIED WITHOUT PREJUDICE TO ANY PATENT RIGHTS OF TGI AND MAY NOT BE REPRODUCED OR USED TO MANUFACTURE ANYTHING SHOWN THEREIN WITHOUT WRITTEN PERMISSION FROM TGI. | | | TOLERANCES (EXCEPT AS NOTED) | | | W132 N10611 Grant Drive Germantown, WI 53022 | | |
| | | | DECIMAL | | | KDR C Frame, Terminal Block Reactor Drawing | | |
| | | | XX ± .25 | | | DRN BY DSW DATE: 1/22/18 107512DG | | |
| | | | .XXX ± .10 | | | SCALE: 1/1.5 | | |
| | | | FRACTIONAL ± 1/16 | | | APRVD: SIZE C | | |
| A Combined Drawings | | | 1/22/18 | | | DATE: 1/22/18 | | |
| NO REVISION | | | DATE | | | BY | | |
| | | | ANGULAR ± 1° | | | SHT. 3 OF 4 | | |