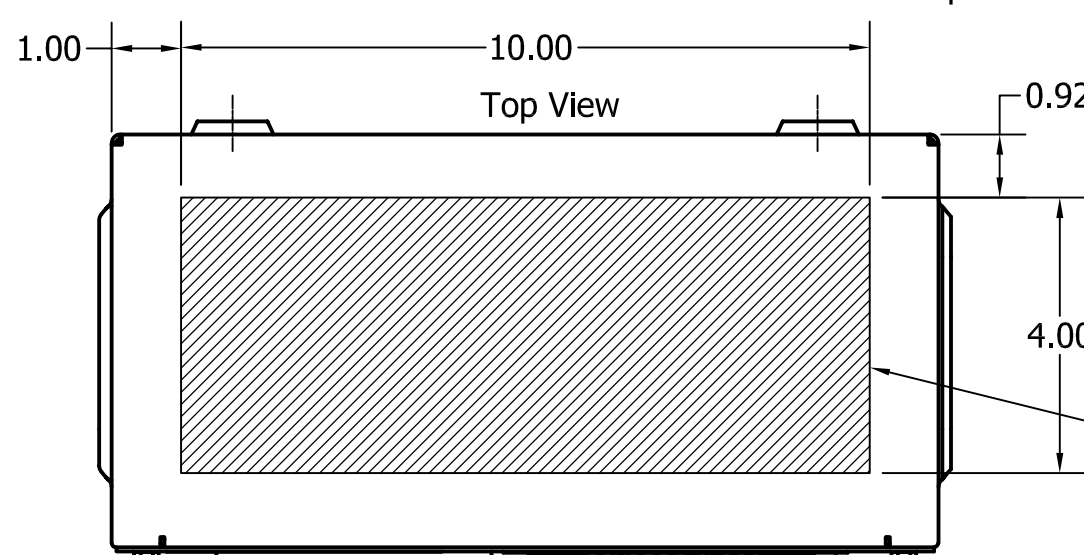
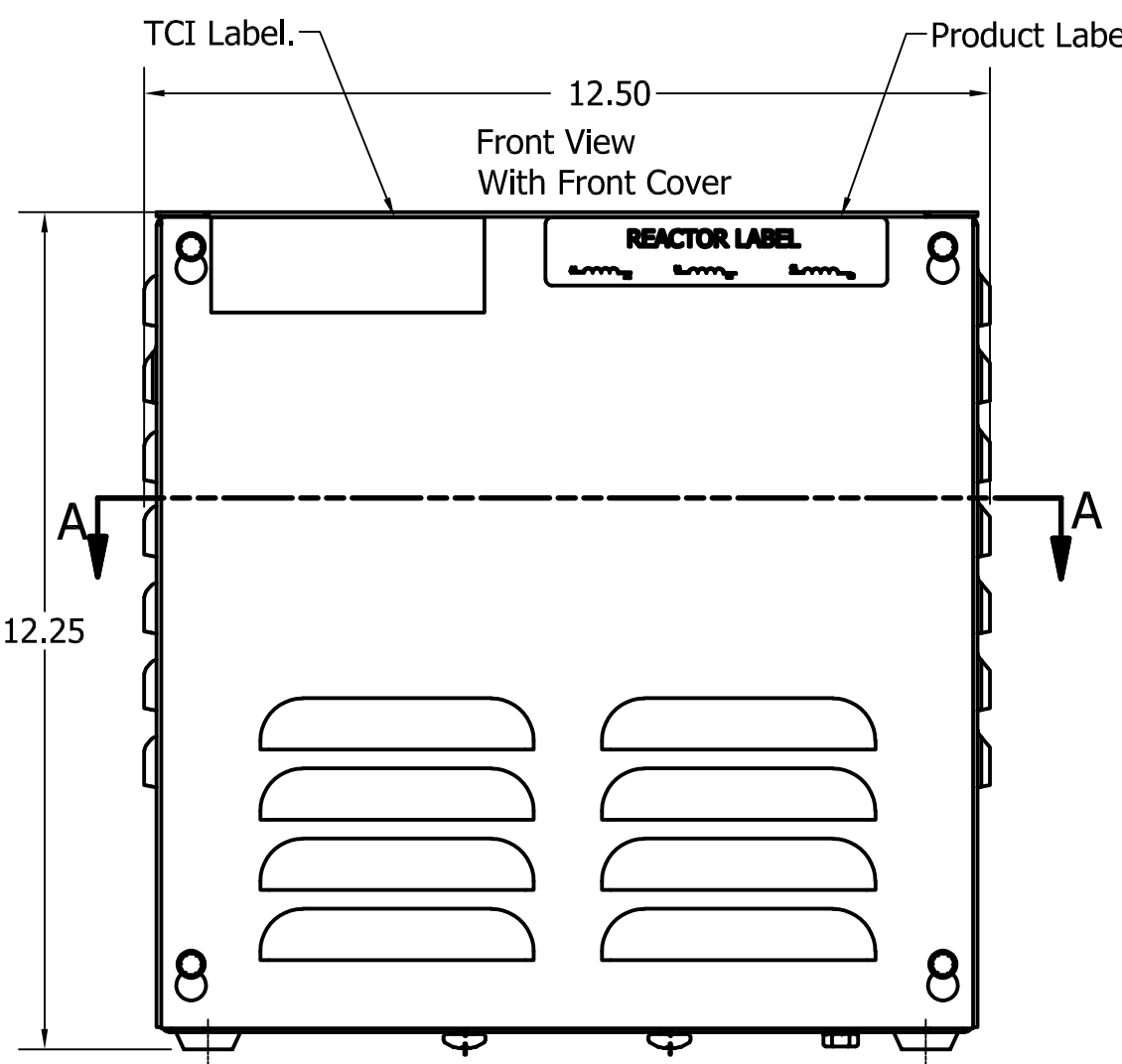


Ground Lug.
See IOM Manual, Part# 30895
Table S2/0, Wire Size And Torque.

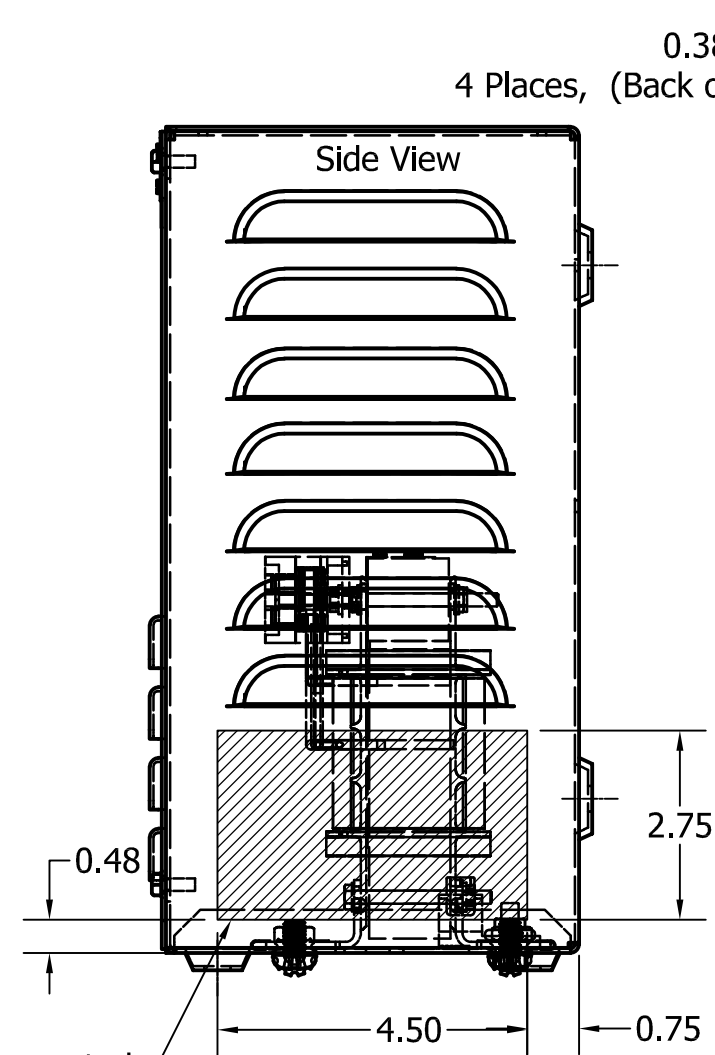
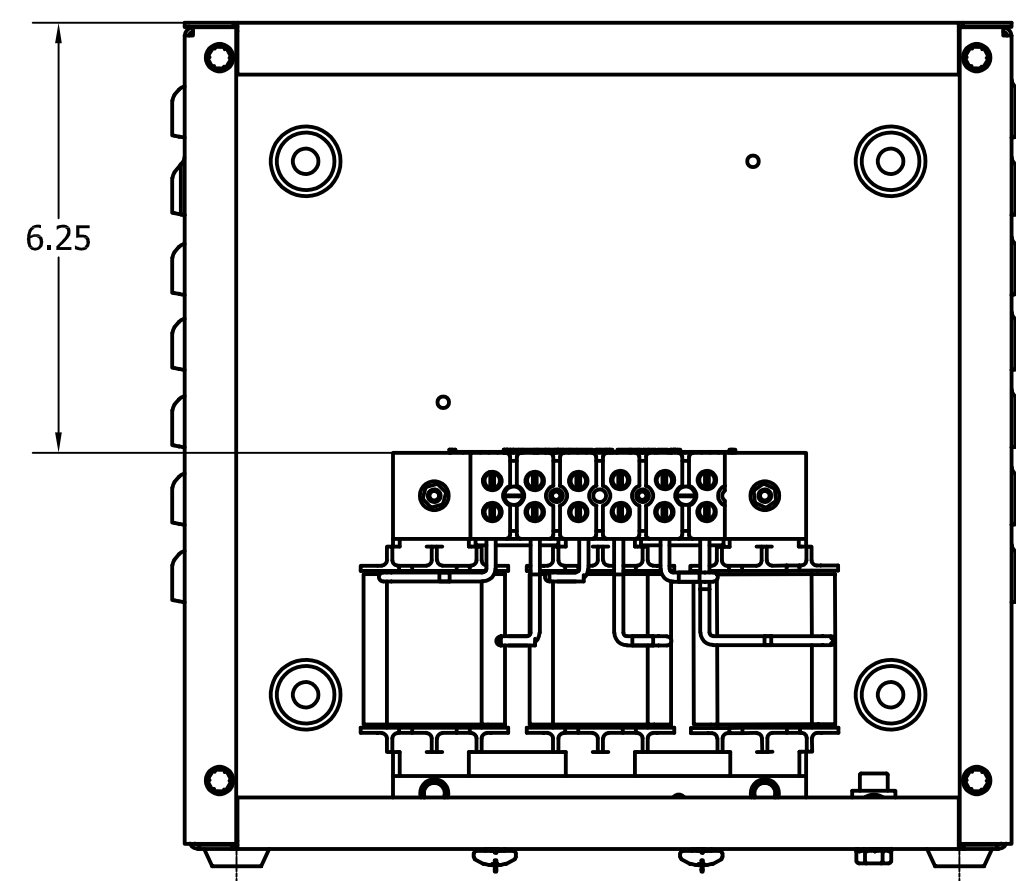
Wire Range: 4-18 AWG.
Torque : 20 IN-LBS (2.3 Nm)



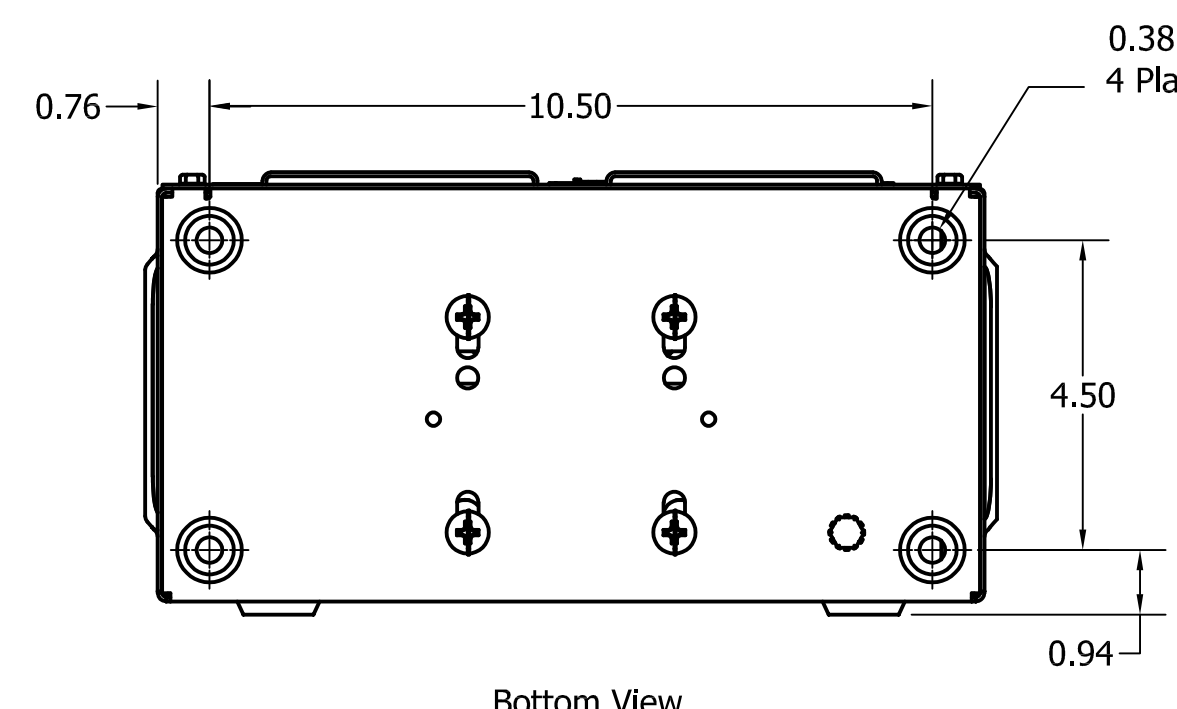
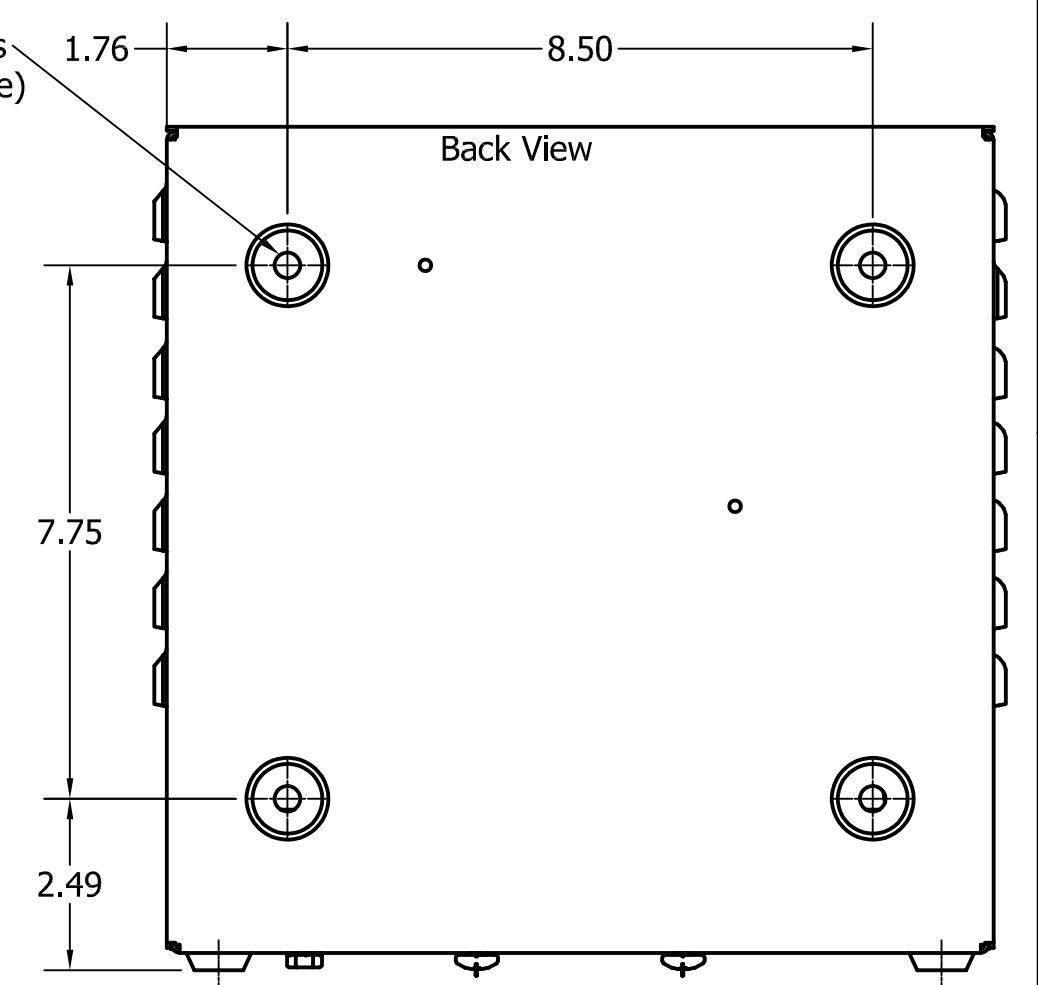
Suggested
Customer Wire Entrance
Top Of Enclosure.
See Note: 6
(Non Removeable Panel)



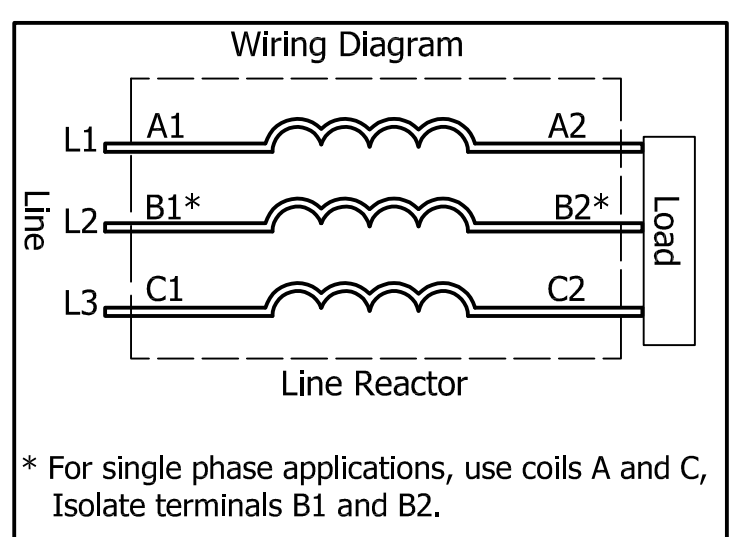
Front View
Without Front Cover



0.38 Dia Holes
4 Places, (Back of Enclosure)



0.38 Dia Holes
4 Places, (Bottom of Enclosure)



* For single phase applications, use coils A and C,
Isolate terminals B1 and B2.

208/240 Rated Voltage, 600 Max Voltage, High Z, Impedance.						
Part Number	Horsepower (HP)	Motor Amps (A)	Maximum Amps (A)	Inductance (uH)	Weight (LBS)	Losses (W)
KDRC22HE01	20	59.4	62	278	25.4	113

480 Rated Voltage, 600 Max Voltage, High Z, Impedance.						
Part Number	Horsepower (HP)	Motor Amps (A)	Maximum Amps (A)	Inductance (uH)	Weight (LBS)	Losses (W)
KDRC3HE01	20	27	27	1210	25.4	108
KDRC1HE01	25	34	35	980	25.4	112

575 Rated Voltage, 600 Max Voltage, High Z, Impedance.						
Part Number	Horsepower (HP)	Motor Amps (A)	Maximum Amps (A)	Inductance (uH)	Weight (LBS)	Losses (W)
KDRC43HE01	25	27	30	1670	25.4	107

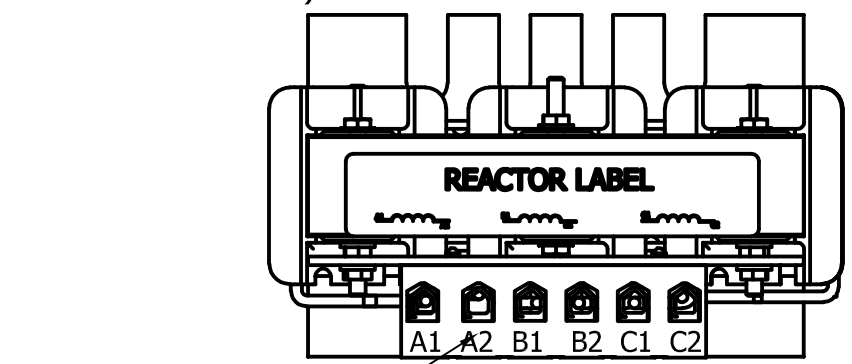
480 Rated Voltage, 600 Max Voltage, Output						
Part Number	Horsepower (HP)	Motor Amps (A)	Maximum Amps (A)	Inductance (uH)	Weight (LBS)	Losses (W)
KDRC1PE01	40	52	55	246	25.4	70

480 Rated Voltage, 600 Max Voltage, Low Z, Impedance.						
Part Number	Horsepower (HP)	Motor Amps (A)	Maximum Amps (A)	Inductance (uH)	Weight (LBS)	Losses (W)
KDRC1LE01	40	52	55	387	25.4	114

575 Rated Voltage, 600 Max Voltage, Low Z, Impedance.						
Part Number	Horsepower (HP)	Motor Amps (A)	Maximum Amps (A)	Inductance (uH)	Weight (LBS)	Losses (W)
KDRC43LE01	40	41	41	672	25.4	109
KDRC44LE01	50	52	52	529	25.4	123

575 Rated Voltage, 600 Max Voltage, Output						
Part Number	Horsepower (HP)	Motor Amps (A)	Maximum Amps (A)	Inductance (uH)	Weight (LBS)	Losses (W)
KDRC31PE01	50	52	55	237	25.4	70

Suggested
Customer Entrance
Either Side Of Enclosure.
See Note: 6
(Non Removeable Panel)



Markings On
Terminal Block For
Reference Only.

TCI (800) 824-8282 transcoll.com
TCI, LLC Germantown, WI, USA.
KDRUL Drive Reactor
KDR- Motor Amps —
3PH, 50/60Hz, —V Rated, 600V Max, —A Max
40C Amb Max, 135C Max, RoHS
Term Torque —S-In, Manual #30895

- Notes: 1. UL file number: cULus Listed File E116124.
2. KDR Drive Reactors Comply With The Thermal and Altitude Standards Set Forth by NEMA ST20-1992.
3. KDR IOM Manual Part Number 30895
4. NEC Current For 208/240 Volts, Horsepower Based On 208 Volts.
5. Material(s) Shall be RoHS Compliant
6. Customer Is Responsible For Installation To Meet All National And Local Electrical Codes.

TCI, LLC CLAIMS PROPRIETARY RIGHTS IN THE MATERIAL HEREIN DISCLOSED. IT IS SUPPLIED WITHOUT PREJUDICE TO ANY PATENT RIGHTS OF TCI AND MAY NOT BE REPRODUCED OR USED TO MANUFACTURE ANYTHING SHOWN THEREIN WITHOUT WRITTEN PERMISSION FROM TCI.

TOLERANCES (EXCEPT AS NOTED)			
DECIMAL			
.XX	± .25		
.XXX	± .10		
FRACTIONAL			
	± 1/16		
ANGULAR			
	± 1°		

TCI W132 N10611 Grant Drive
Germantown, WI 53022

KDR C Frame, Terminal Block, Enclosed
Type 1, Reactor Drawing

DRN BY: DSW DATE: 3/7/18
SCALE: 1/3 SIZE: C
APRVD: 107543DG
SHT 1 OF 2