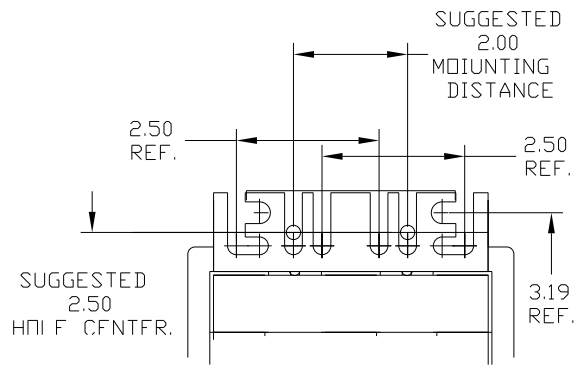
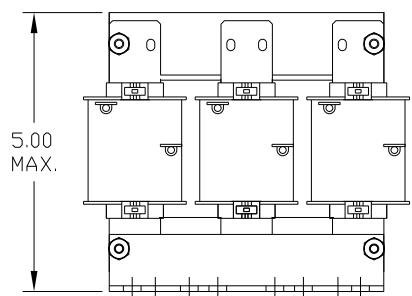
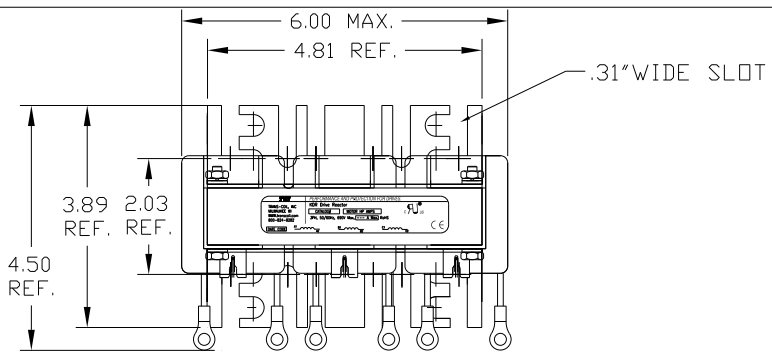



VOLTAGE	NEC MOTOR HP	CATALOG NO	NEC MOTOR CURRENT	AMPS MAX	WATTS LOSS	APPROX WT-LBS	RING LUG HOLE SIZE
690	15	KDRB45LV	17	19.5	66.2	8	.25
LOW-Z							



TCL PERFORMANCE AND PROTECTION FOR DRIVES.
 KDR Drive Reactor
 TRANS-COIL, INC. MILWAUKEE, WI WWW.transcoil.com 800-824-8282
 CATALOG# MOTOR HP AMPS
 3PH, 50/60Hz, 690V Max, [--- A Max] RoHS
 DATE CODE A1 A2 B1 B2 C1 C2

				TOLERANCES (EXCEPT AS NOTED)	 7878 N. 86th STREET MILWAUKEE, WI 53224
				DECIMAL	
				.XX ± .03 .XXX ± .01	
				FRACTIONAL ± 1/32	
				ANGULAR ± 1/2°	DRN. BY DSW DATE 02/07/07 SCALE TO FIT APRVD.
NO	REVISION	DATE	BY		DWG. NO. B KDRB45LVDG SHT. 1 OF 1