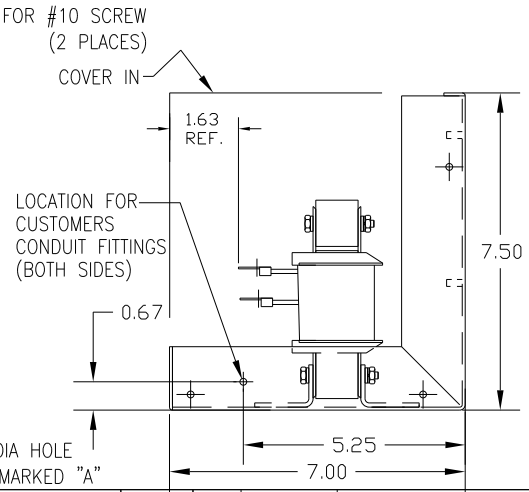
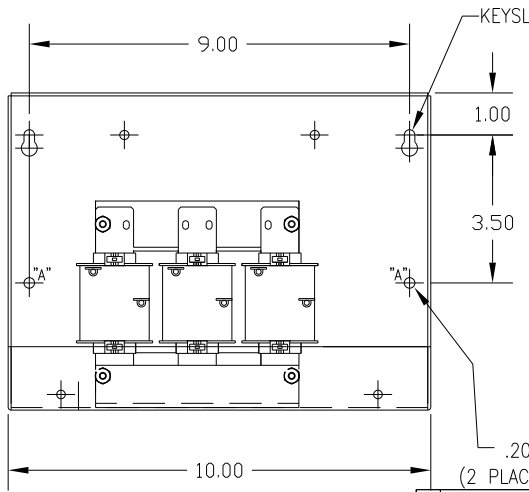
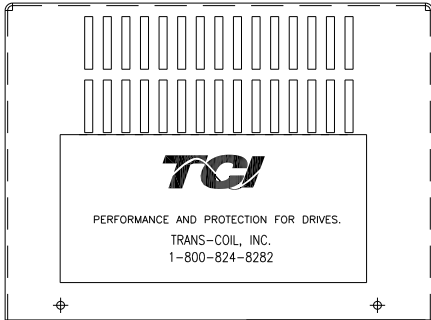
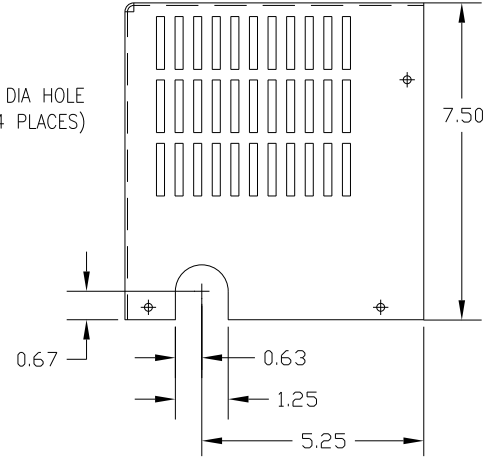
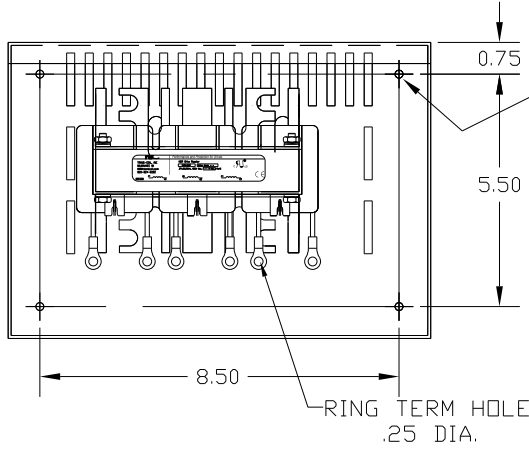
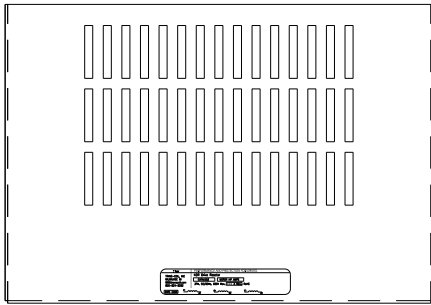


CATALOG NO	VOLTAGE	NEC MOTOR HP	NEC MOTOR CURRENT	WATTS LOSS	APPROX WT-LBS
KDRB45LC2V	690	15	17	66.2	14



CUSTOMER IS RESPONSIBLE FOR INSTALLATION TO MEET ALL NATIONAL AND LOCAL ELECTRICAL CODES.

				TOLERANCES (EXCEPT AS NOTED):		<b>7878 N. 86th STREET MILWAUKEE, WI 53224</b>	
				DECIMAL			
				.XX ± .03		<b>KDR DRIVE REACTOR, ENCLOSED 690V LOW Z, FRAME B</b>	
				.XXX ± .01			
				FRACTIONAL ± 1/32			
				ANGULAR ± 1/2°		DSN BY <b>DSW</b> DATE <b>2/15/12</b> ENGR. NO. <b>B</b> SCALE    APRVD <b>KDRB45LC2V</b> NO    REVISION    DATE    BY    SHT.1 OF1	