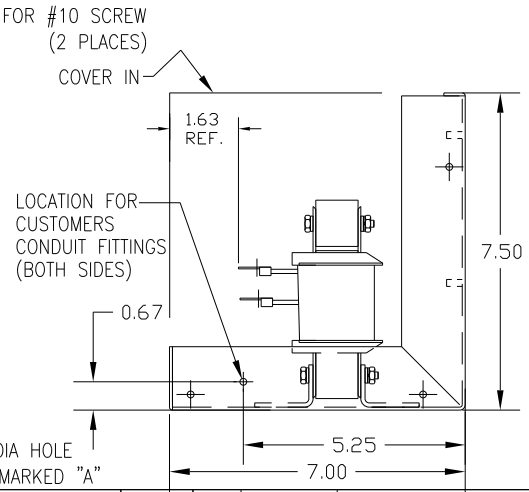
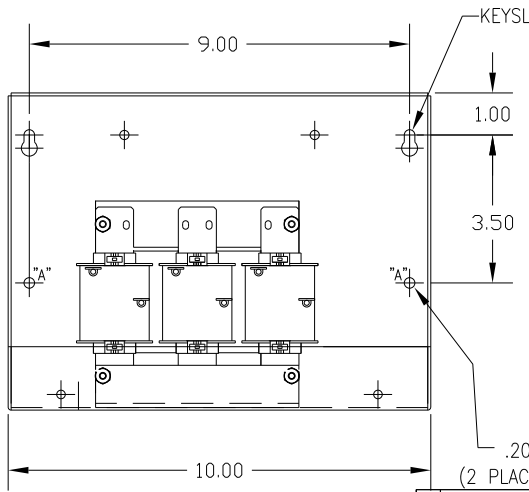
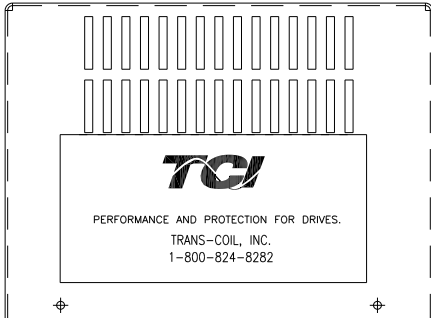
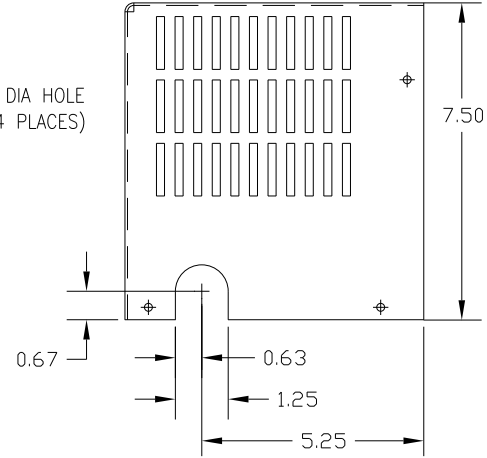
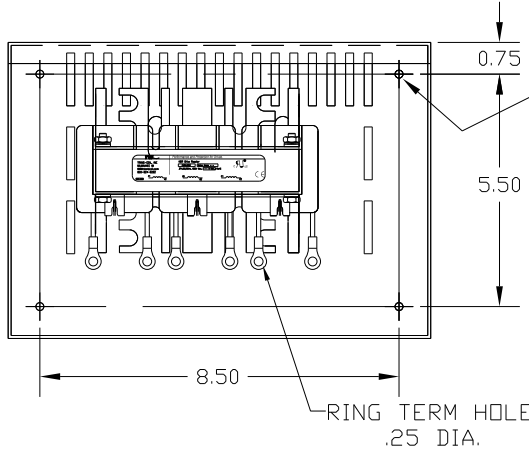
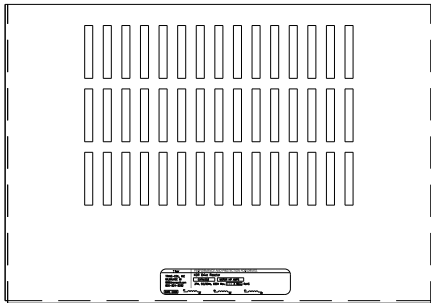


CATALOG NO	VOLTAGE	NEC MOTOR HP	NEC MOTOR CURRENT	WATTS LOSS	APPROX WT-LBS
KDRB44LC2V	690	20	22	71.2	14



CUSTOMER IS RESPONSIBLE FOR INSTALLATION TO MEET ALL NATIONAL AND LOCAL ELECTRICAL CODES.

				<b>TOLERANCES</b> <small>(EXCEPT AS NOTED)</small> DECIMAL .XX ± .03 .XXX ± .01 FRACTIONAL ± 1/32 ANGULAR ± 1/2°		7878 N. 86th STREET MILWAUKEE, WI 53224	
				<b>KDR DRIVE REACTOR, ENCLOSED</b> 690V LOW Z, FRAME B			
NO	REVISION	DATE	BY	SCALE	DESIGNED BY: DSW DATE: 2/15/12 APPROVED:	ENG. NO.: B KDRB44LC2V	SHT. 1 OF 1