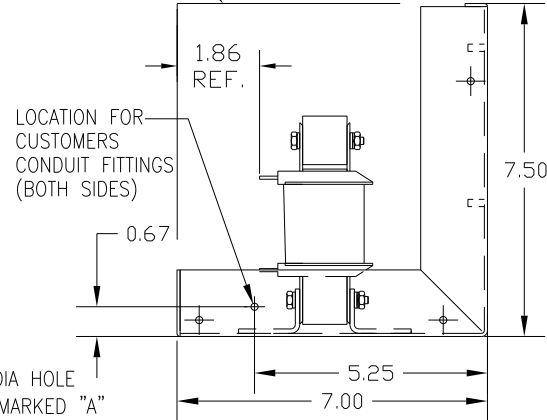
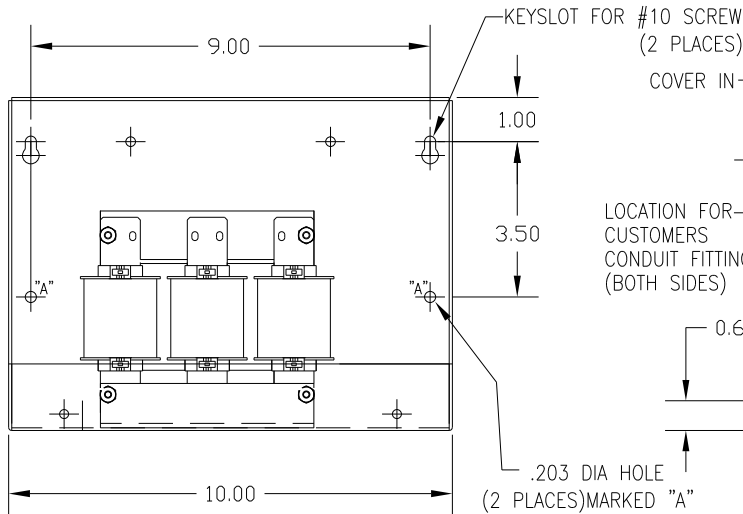
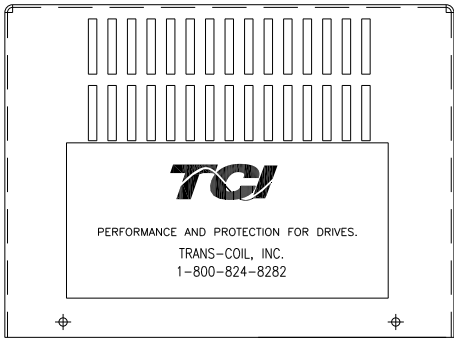
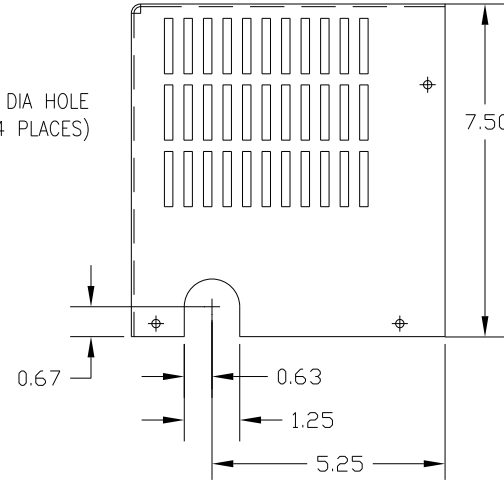
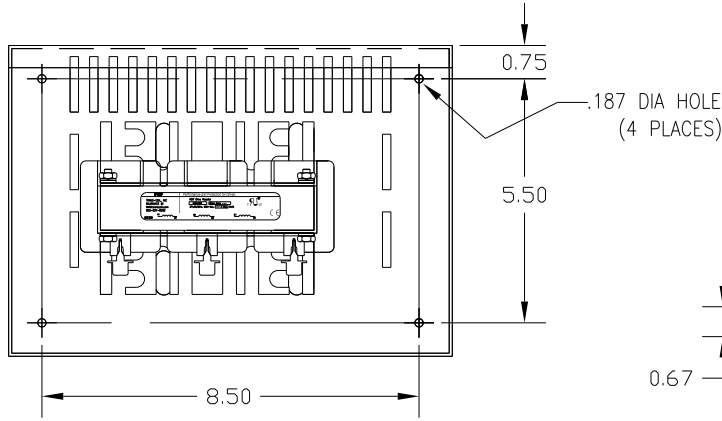
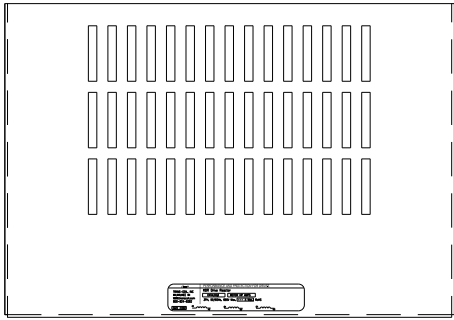


CATALOG NO	VOLTAGE	NEC MOTOR HP	NEC MOTOR CURRENT	WATTS LOSS	APPROX WT-LBS
KDRB42HC2V	690	7.5	9	61	14



CUSTOMER IS RESPONSIBLE FOR INSTALLATION TO MEET ALL NATIONAL AND LOCAL ELECTRICAL CODES.

TOLERANCES (EXCEPT AS NOTED)			TCI 7878 N. 86th STREET MILWAUKEE, WI 53224		
		DECIMAL	KDR DRIVE REACTOR, ENCLOSED 690V HIGH Z, FRAME B		
		.XX ± .03			
		.XXX ± .01			
		FRACTIONAL	DRN. BY DSW DATE 2/17/12 DWG. NO. B KDRB42HC2VDG		
		± 1/32			
		ANGULAR	SCALE		
		± 1/2°			
NO	REVISION	DATE	BY	APRVD	SHT. 1 OF 1