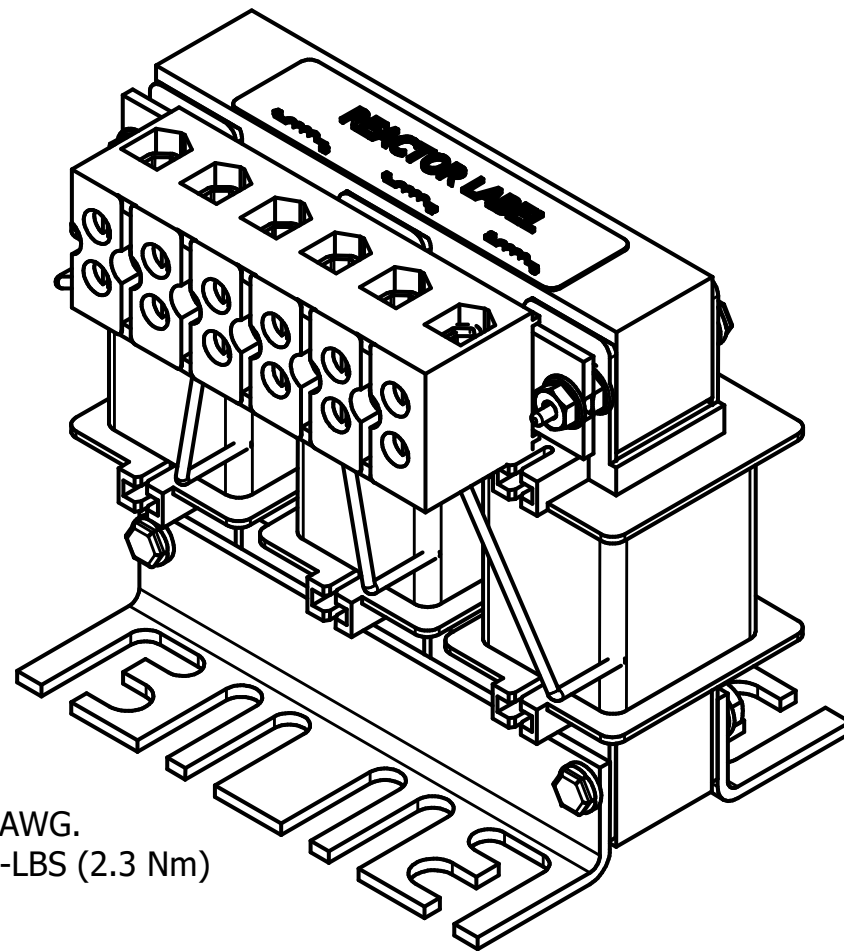


(Customer Connections) Markings On Terminal Block For Reference Only.

Wire Range: 4-18 AWG.
Torque : 20 IN-LBS (2.3 Nm)



208/240 Rated Voltage, 600 Max Voltage, High Z, Impedance.						
Part Number	Horsepower (HP)	Motor Amps (A)	Maximum Amps (A)	Inductance (uH)	Weight (LBS)	Losses (W)
KDRB25H	5	16.7	17	1030	8	53
KDRB26H	7 1/2	24.2	26	699	8	67

480 Rated Voltage, 600 Max Voltage, High Z, Impedance.						
Part Number	Horsepower (HP)	Motor Amps (A)	Maximum Amps (A)	Inductance (uH)	Weight (LBS)	Losses (W)
KDRB2H	15	21	27	1690	7	133

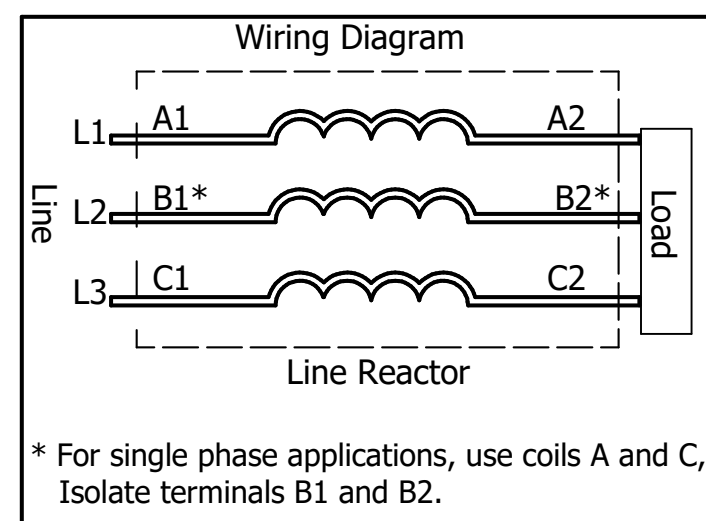
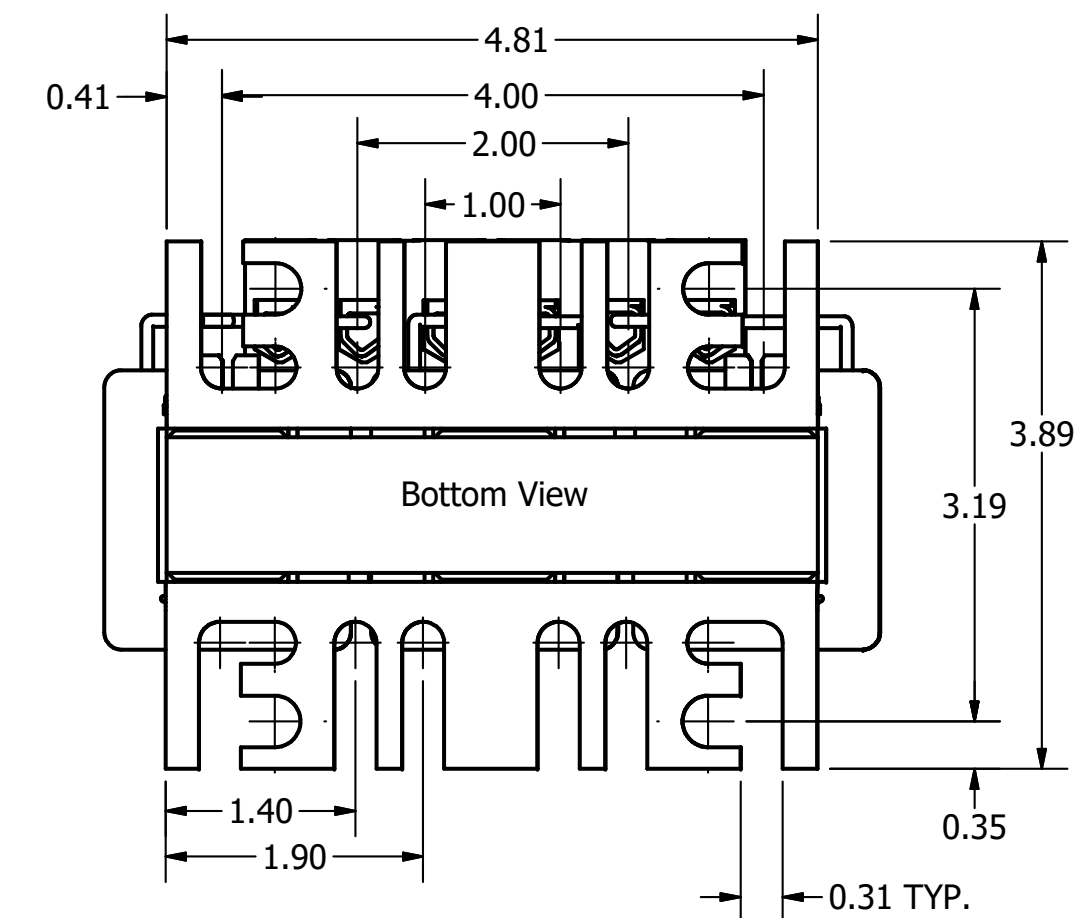
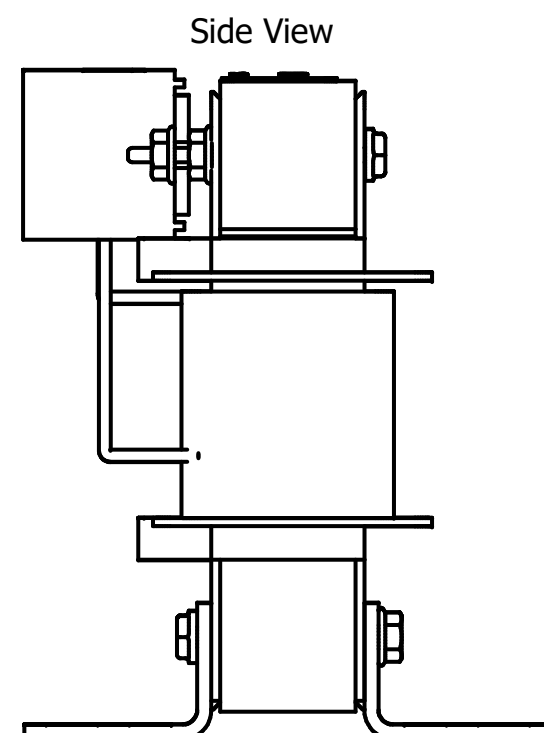
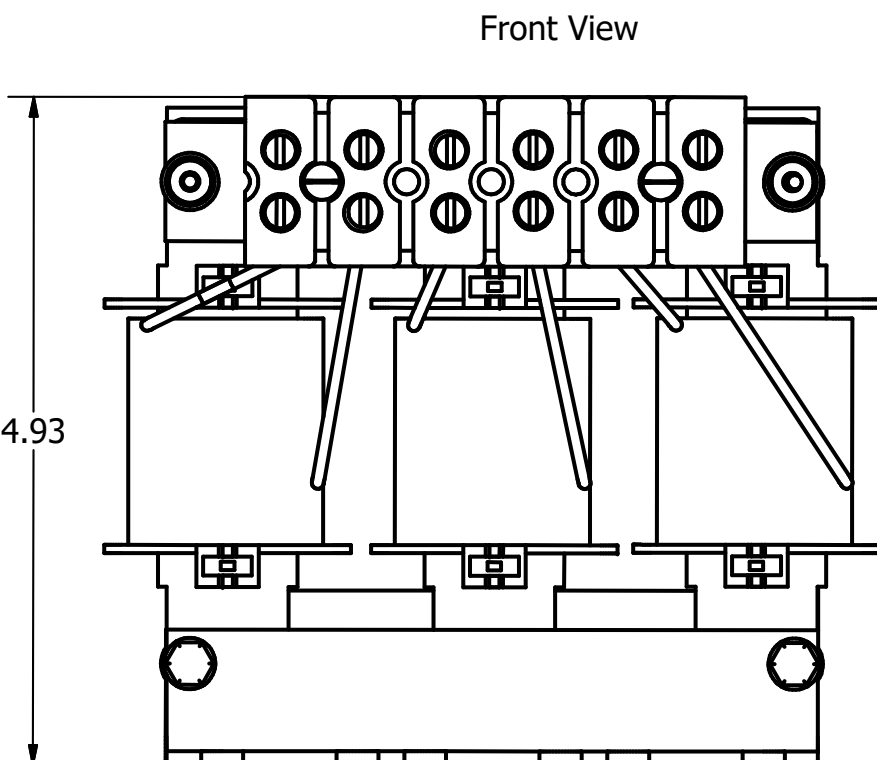
575 Rated Voltage, 600 Max Voltage, High Z, Impedance.						
Part Number	Horsepower (HP)	Motor Amps (A)	Maximum Amps (A)	Inductance (uH)	Weight (LBS)	Losses (W)
KDRB42H	7 1/2	9	10	5370	8	61
KDRB43H	10	11	11	4340	8	70
KDRB44H	15	17	18.5	2630	8	73

480 Rated Voltage, 600 Max Voltage, Output						
Part Number	Horsepower (HP)	Motor Amps (A)	Maximum Amps (A)	Inductance (uH)	Weight (LBS)	Losses (W)
KDRB1P	10	14	16	701	7	20

208/240 Rated Voltage, 600 Max Voltage, Low Z, Impedance.						
Part Number	Horsepower (HP)	Motor Amps (A)	Maximum Amps (A)	Inductance (uH)	Weight (LBS)	Losses (W)
KDRB22L	5	16.7	19	626	8	39
KDRB23L	7 1/2	24.2	25	434	8	48

480 Rated Voltage, 600 Max Voltage, Low Z, Impedance.						
Part Number	Horsepower (HP)	Motor Amps (A)	Maximum Amps (A)	Inductance (uH)	Weight (LBS)	Losses (W)
KDRB2L	15	21	30	912	8	65
KDRB1L	20	27	30	694	8	79

575 Rated Voltage, 600 Max Voltage, Low Z, Impedance.						
Part Number	Horsepower (HP)	Motor Amps (A)	Maximum Amps (A)	Inductance (uH)	Weight (LBS)	Losses (W)
KDRB45L	15	17	19.5	1590	8	66
KDRB44L	20	22	24	1280	8	71
KDRB43L	25	27	30	883	8	77



* For single phase applications, use coils A and C, Isolate terminals B1 and B2.

TGI (800) 824-8282 transcoll.com

KDRUL Drive Reactor
KDR- Motor Amps —
3PH, 50/60Hz, —V Rated, 600V Max, —A Max, RoHS
40C Amb Max, 135C Rise
Manual #30895

TGI, LLC
Germantown, WI, USA.
transcoll.com
800-824-8282

UL LISTED CE
2ND CONT. EQ. MARK

DATE CODE A1 A2 B1 B2 C1 C2

Notes:

1. For KDRUL Version, See Sheet 2
2. UL file number: cULus Listed File E116124.
3. KDR Drive Reactors Comply With The Thermal and Altitude Standards Set Forth by NEMA ST20-1992.
4. KDR IOM Manual Part Number 30895
5. NEC Current For 208/240 Volts, Horsepower Based On 208 Volts.
6. Material(s) Shall be RoHS Compliant
7. Customer Is Responsible For Installation To Meet All National And Local Electrical Codes.

TGI, LLC CLAIMS PROPRIETARY RIGHTS IN THE MATERIAL HEREIN DISCLOSED. IT IS SUPPLIED WITHOUT PREJUDICE TO ANY PATENT RIGHTS OF TGI AND MAY NOT BE REPRODUCED OR USED TO MANUFACTURE ANYTHING SHOWN THEREIN WITHOUT WRITTEN PERMISSION FROM TGI.				TOLERANCES (EXCEPT AS NOTED) DECIMAL XX ± .25 .XXX ± .10 FRACTIONAL ± 1/16 ANGULAR ± 1°		W132 N10611 Grant Drive Germantown, WI 53022 KDR B Frame, Terminal Block Reactor Drawing DRN BY: DSW DATE: 1/22/18 107511DG SCALE: 1:1.5 APRVD: SIZE: C NO. REVISION DATE BY SHT. 1 OF 2	
--	--	--	--	--	--	--	--