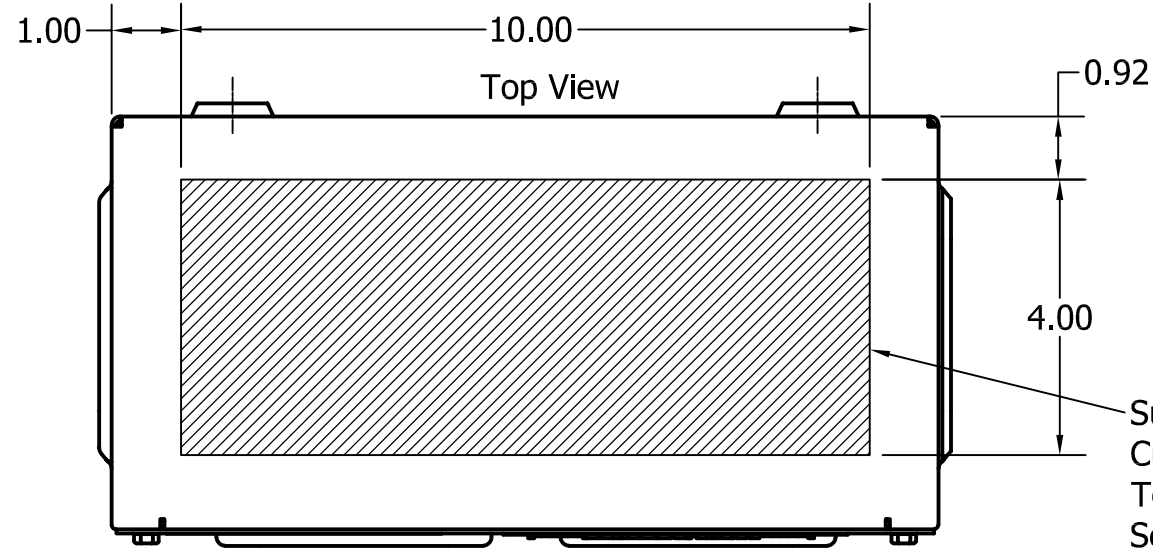
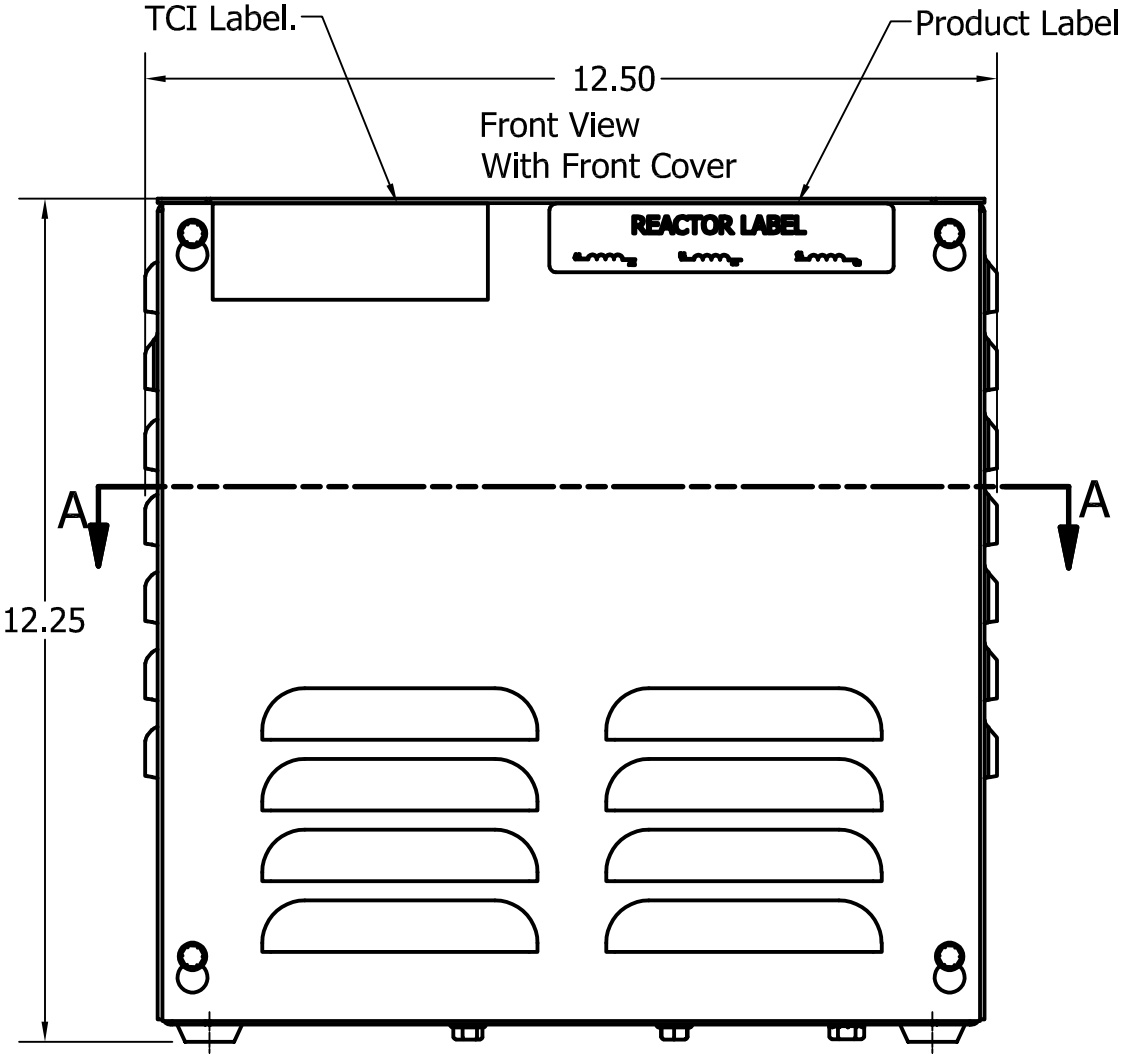


Ground Lug.
See IOM Manual, Part# 30895
Table S2/0, Wire Size And Torque.

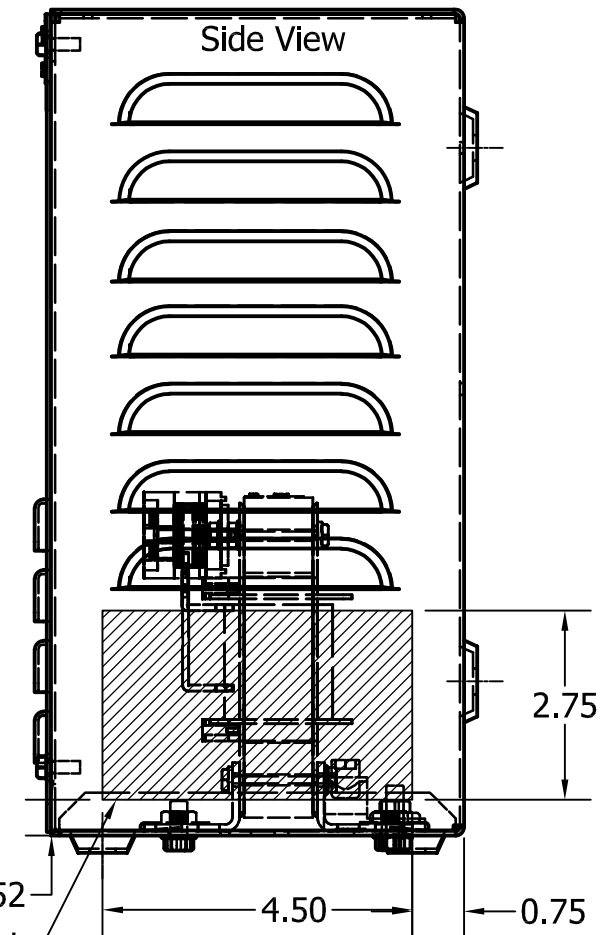
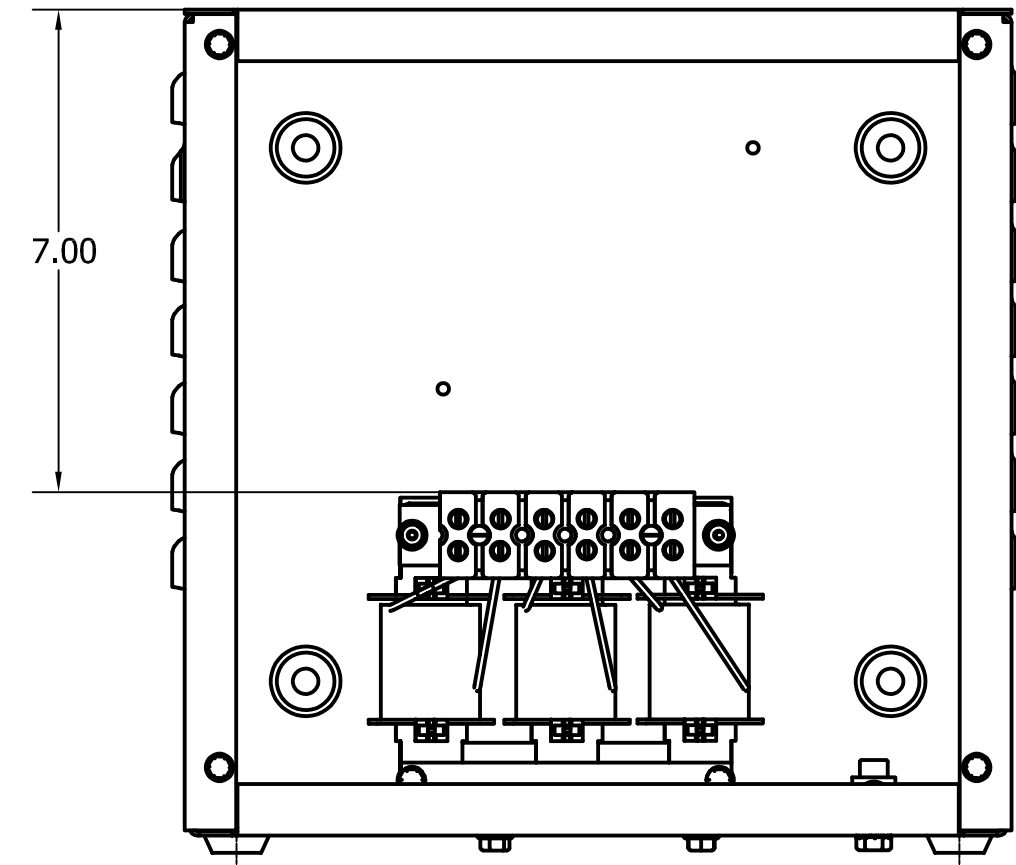
Wire Range: 4-18 AWG.
Torque : 20 IN-LBS (2.3 Nm)



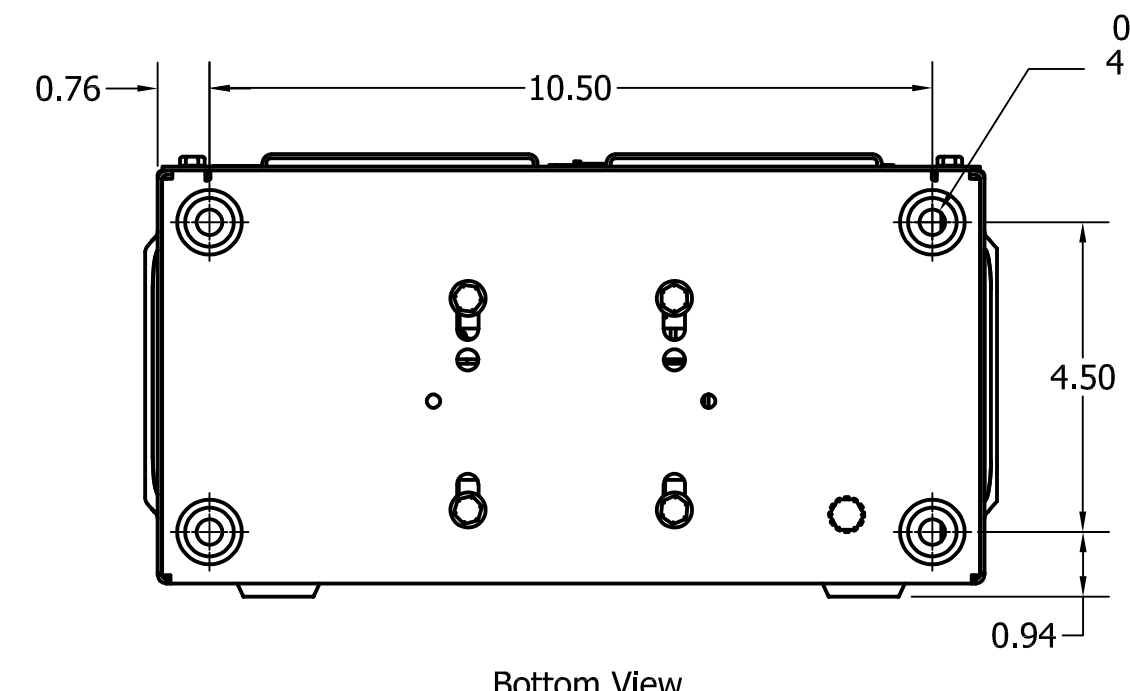
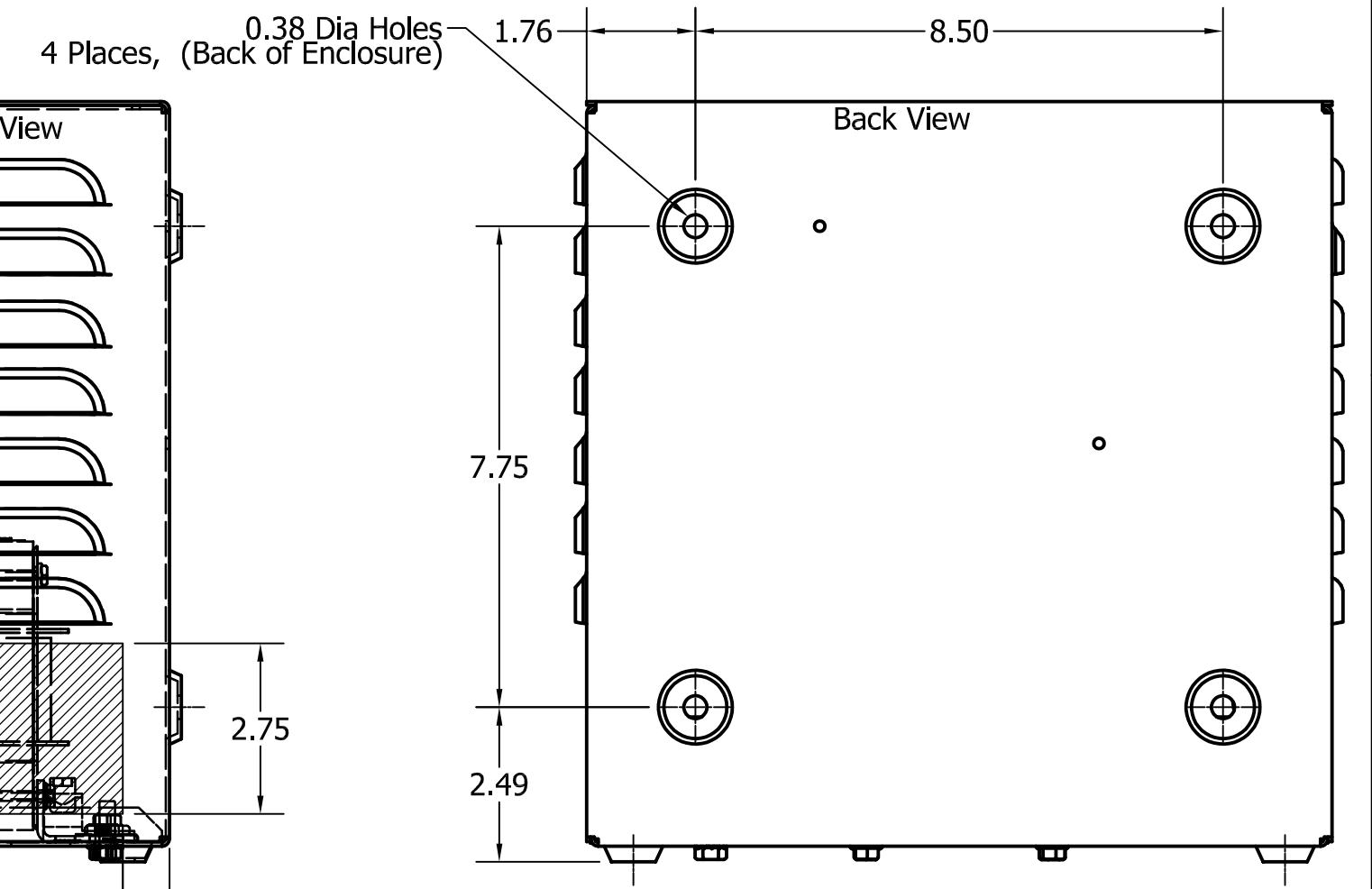
Suggested
Customer Wire Entrance
Top Of Enclosure.
See Note: 6
(Non Removeable Panel)



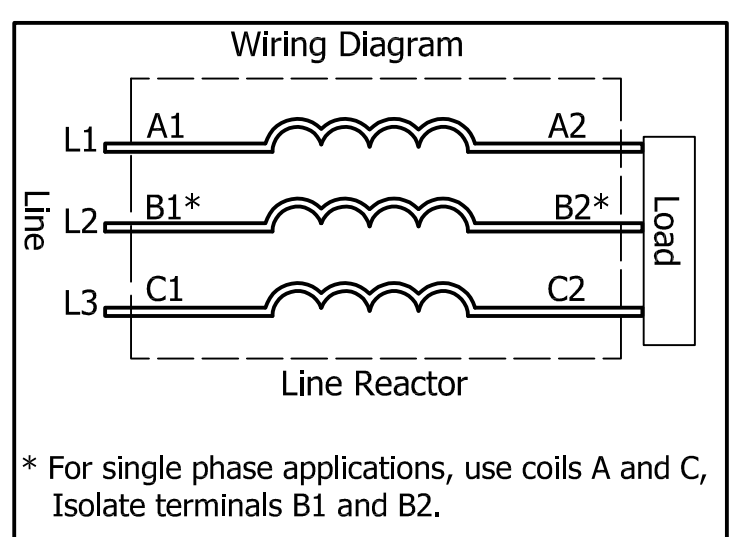
Front View
Without Front Cover



Suggested
Customer Entrance
Either Side Of Enclosure.
See Note: 6
(Non Removeable Panel)



Bottom View



* For single phase applications, use coils A and C,
Isolate terminals B1 and B2.

208/240 Rated Voltage, 600 Max Voltage, High Z, Impedance.						
Part Number	Horsepower (HP)	Motor Amps (A)	Maximum Amps (A)	Inductance (uH)	Weight (LBS)	Losses (W)
KDRB25HE01	5	16.7	17	1030	18.4	53
KDRB26HE01	7 1/2	24.2	26	699	18.4	67

480 Rated Voltage, 600 Max Voltage, High Z, Impedance.						
Part Number	Horsepower (HP)	Motor Amps (A)	Maximum Amps (A)	Inductance (uH)	Weight (LBS)	Losses (W)
KDRB2HE01	15	21	27	1690	17.4	133

575 Rated Voltage, 600 Max Voltage, High Z, Impedance.						
Part Number	Horsepower (HP)	Motor Amps (A)	Maximum Amps (A)	Inductance (uH)	Weight (LBS)	Losses (W)
KDRB42HE01	7 1/2	9	10	5370	18.4	61
KDRB43HE01	10	11	11	4340	18.4	70
KDRB44HE01	15	17	18.5	2630	18.4	73

480 Rated Voltage, 600 Max Voltage, Output						
Part Number	Horsepower (HP)	Motor Amps (A)	Maximum Amps (A)	Inductance (uH)	Weight (LBS)	Losses (W)
KDRB1PE01	10	14	16	701	17.4	20

208/240 Rated Voltage, 600 Max Voltage, Low Z, Impedance.						
Part Number	Horsepower (HP)	Motor Amps (A)	Maximum Amps (A)	Inductance (uH)	Weight (LBS)	Losses (W)
KDRB22LE01	5	16.7	19	626	18.4	39
KDRB23LE01	7 1/2	24.2	25	434	18.4	48

480 Rated Voltage, 600 Max Voltage, Low Z, Impedance.						
Part Number	Horsepower (HP)	Motor Amps (A)	Maximum Amps (A)	Inductance (uH)	Weight (LBS)	Losses (W)
KDRB2LE01	15	21	30	912	18.4	65
KDRB1LE01	20	27	30	694	18.4	79

575 Rated Voltage, 600 Max Voltage, Low Z, Impedance.						
Part Number	Horsepower (HP)	Motor Amps (A)	Maximum Amps (A)	Inductance (uH)	Weight (LBS)	Losses (W)
KDRB45LE01	15	17	19.5	1590	18.4	66
KDRB44LE01	20	22	24	1280	18.4	71
KDRB43LE01	25	27	30	883	18.4	77

TCI (800) 824-8282 transcoil.com

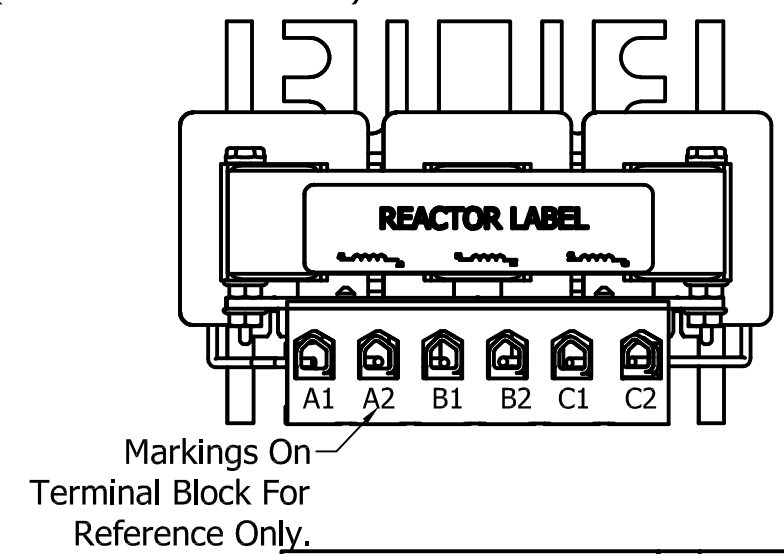
TCI, LLC
Germantown, WI, USA.
transcoil.com
800-824-8282

KDRUL Drive Reactor
KDR- Motor Amps —
3PH, 50/60Hz, —V Rated, 600V Max, —A Max, RoHS
40C Amb Max, 135C Rise
Manual #30895

UL LISTED CE

DATE CODE **A1** **B2** **C2**

- Notes:
1. For KDRUL Version, See Sheet 2
 2. UL file number: cULus Listed File E116124.
 3. KDR Drive Reactors Comply With The Thermal and Altitude Standards Set Forth by NEMA ST20-1992.
 4. KDR IOM Manual Part Number 30895
 5. NEC Current For 208/240 Volts, Horsepower Based On 208 Volts.
 6. Material(s) Shall be RoHS Compliant
 7. Customer Is Responsible For Installation To Meet All National And Local Electrical Codes.



TCI, LLC CLAIMS PROPRIETARY RIGHTS IN THE MATERIALS HEREIN DISCLOSED. IT IS SUPPLIED WITHOUT PREJUDICE TO ANY PATENT RIGHTS OF TCI AND MAY NOT BE REPRODUCED OR USED TO MANUFACTURE ANYTHING SHOWN THEREIN WITHOUT WRITTEN PERMISSION FROM TCI.

TOLERANCES (EXCEPT AS NOTED)			
DECIMAL			
.XX	± .25		
.XXX	± .10		
FRACTIONAL			
	± 1/16		
ANGULAR			
	± 1°		

TCI W132 N10611 Grant Drive
Germantown, WI 53022

KDR B Frame, Terminal Block, Enclosed
Type 1, Reactor Drawing

DRN BY: DSW DATE: 3/7/18
SCALE: 1/3

APRVD: DATE: 3/7/18
SIZE: C

107542DG

REV. NO. REVISION DATE BY

SHT. 1 OF 2