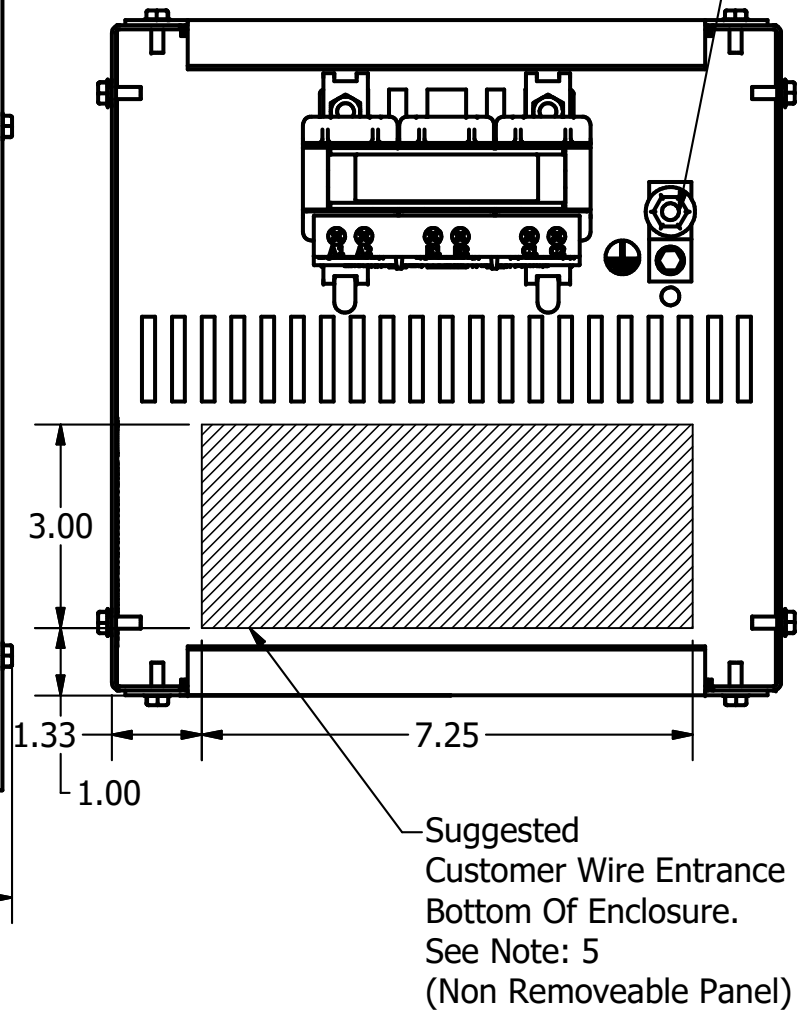


Ground Lug.
See IOM Manual, Part# 30895
Table S2/0, Wire Size And Torque.

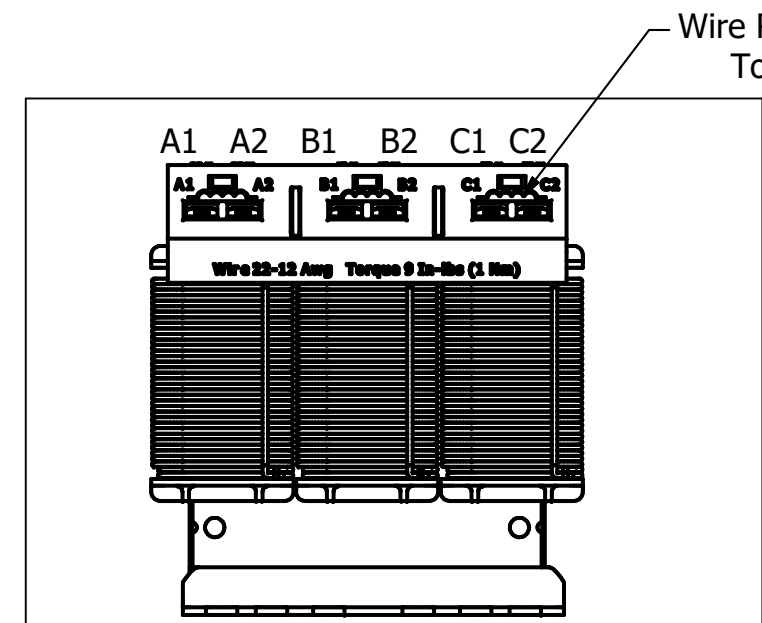
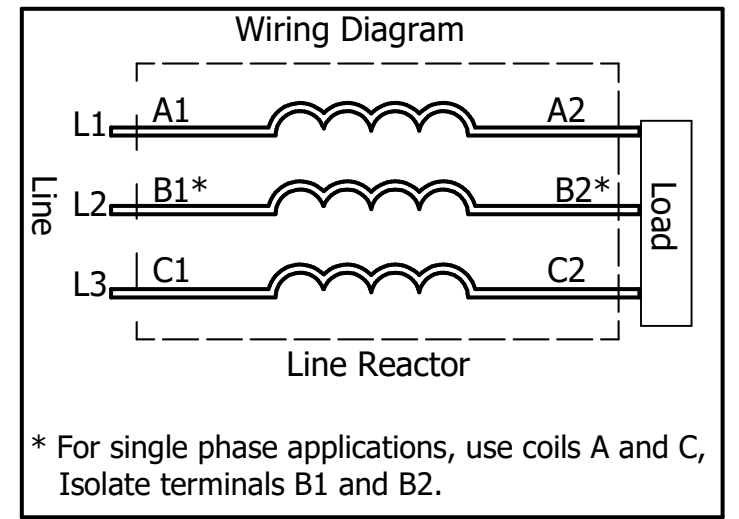
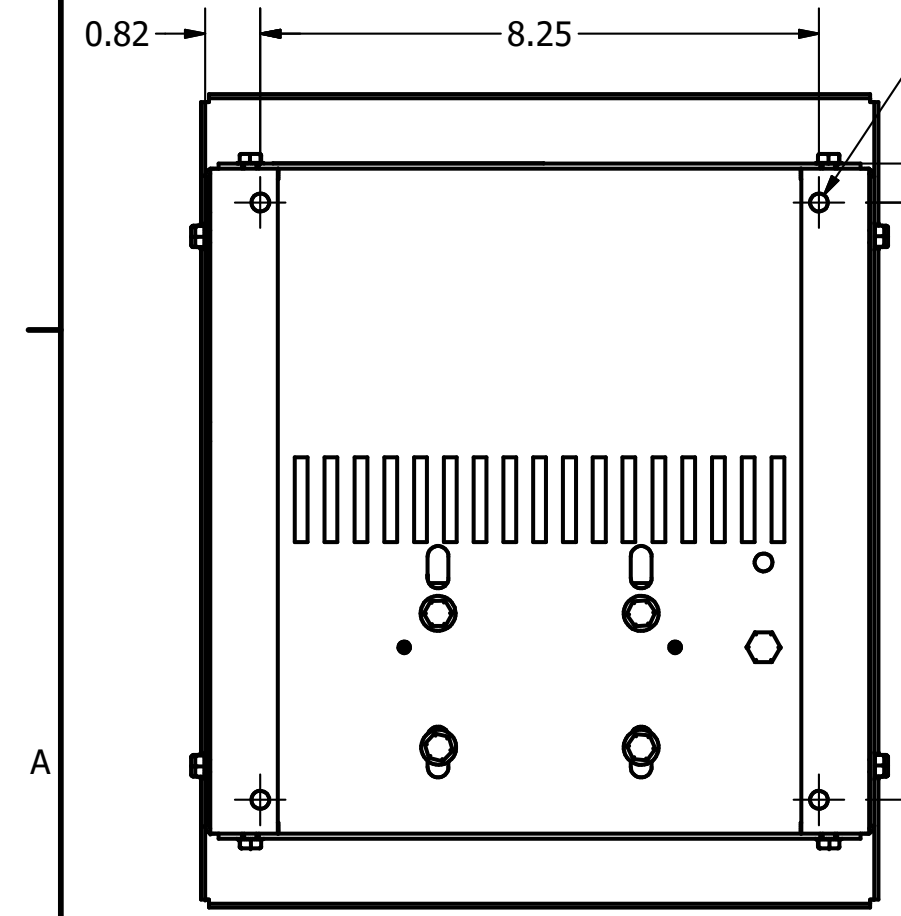
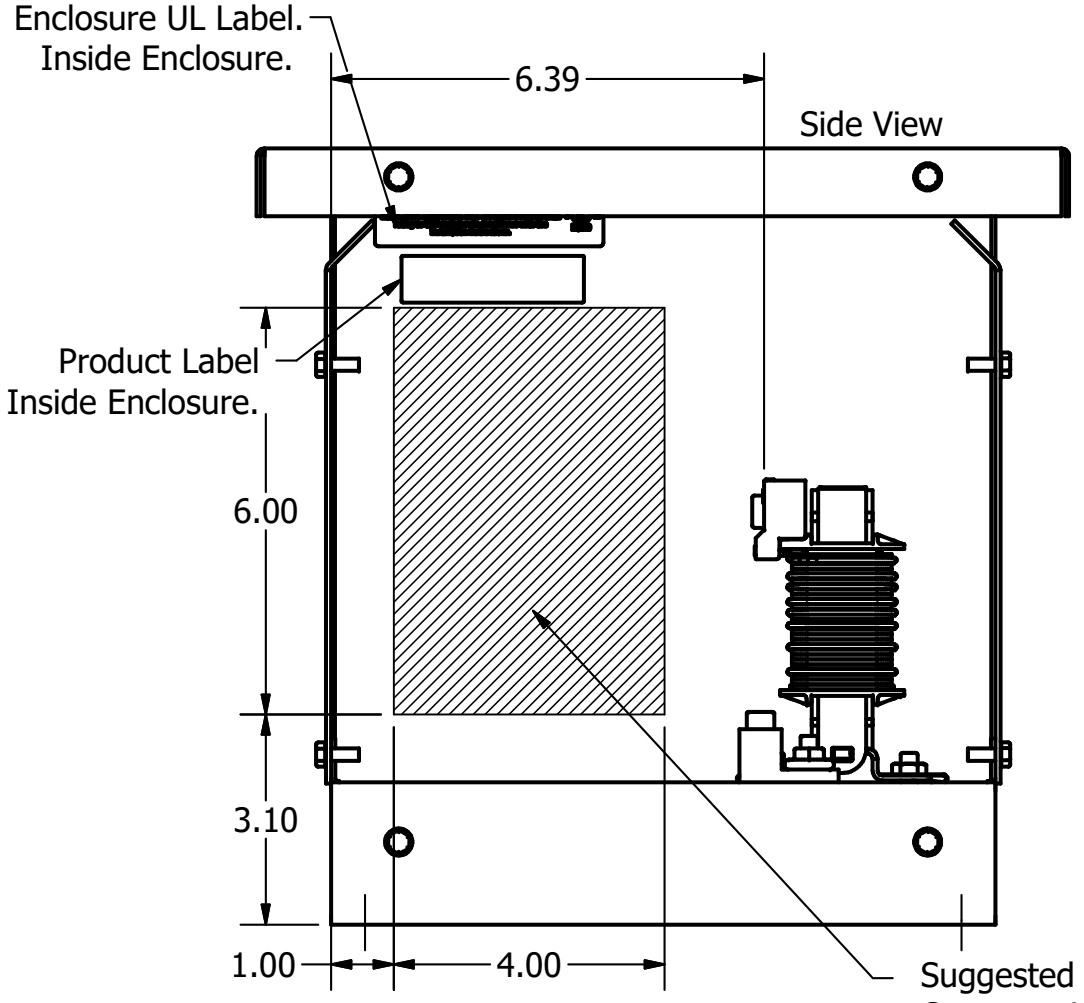
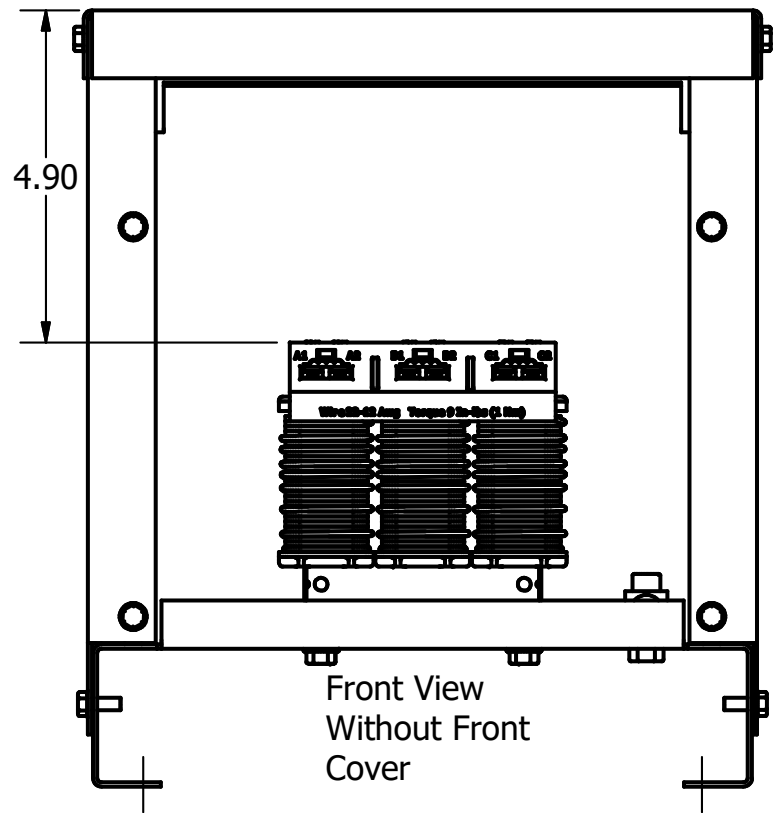
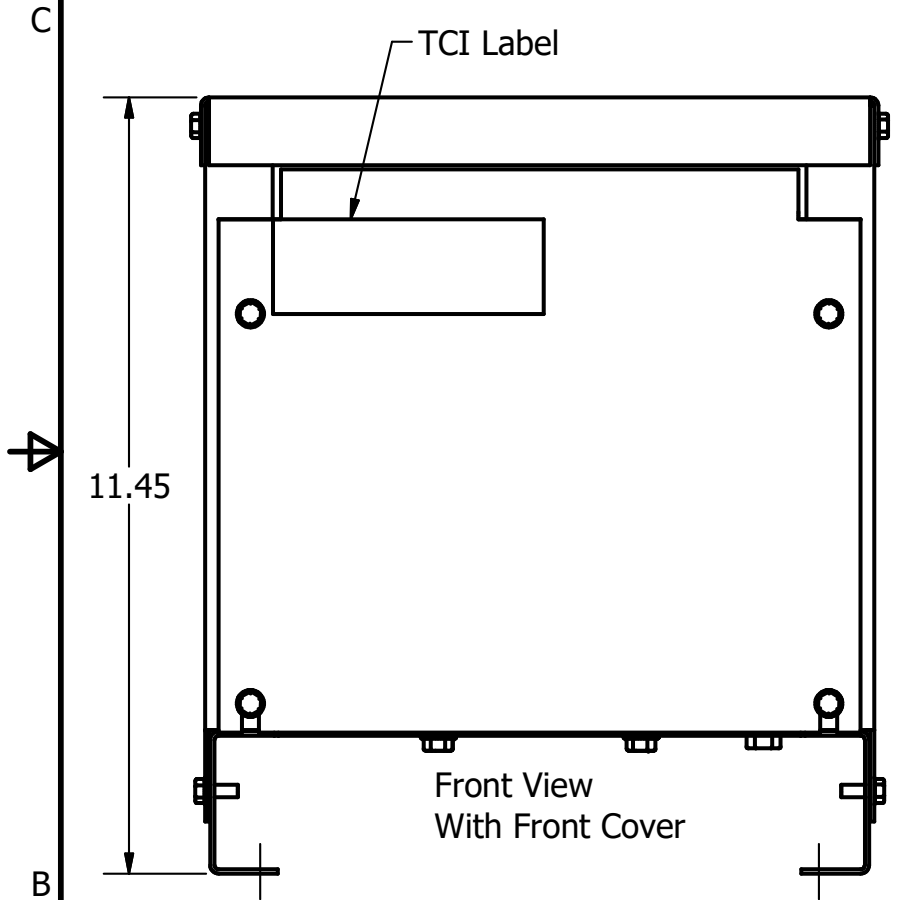


480 Rated Voltage, 690 Max Voltage, High Z, Impedance.						
Part Number	Horsepower (HP)	Motor Amps (A)	Maximum Amps (A)	Inductance (uH) +/-10%	Weight (LBS)	Losses (W)
KDRAA9H2E3R1	1 1/2	3.00	4.0	12300	17.8	37
KDRAA1H2E3R1	2	3.40	3.8	10800	17.8	45
KDRAA2H2E3R1	3	4.80	5.4	7650	18.0	42
KDRAA6H2E3R1	4	6.20	7.6	5930	18.4	50
KDRAA3H2E3R1	5	7.60	8.2	4840	18.7	66
KDRAA3H2E3R1	5 1/2	8.20	8.2	4840	18.7	74

480 Rated Voltage, 690 Max Voltage, Low Z, Impedance.						
Part Number	Horsepower (HP)	Motor Amps (A)	Maximum Amps (A)	Inductance (uH) +/-10%	Weight (LBS)	Losses (W)
KDRAA9L2E3R1	1 1/2	3.00	4.5	7400	18.0	25
KDRAA6L2E3R1	4	6.20	7.6	3560	18.0	39
KDRAA3L2E3R1	5	7.60	8.2	2900	18.0	45
KDRAA3L2E3R1	5 1/2	8.20	8.2	2900	18.0	49
KDRAA4L2E3R1	7 1/2	11.0	11.6	2000	18.2	63

600 Rated Voltage, 690 Max Voltage, High Z, Impedance.						
Part Number	Horsepower (HP)	Motor Amps (A)	Maximum Amps (A)	Inductance (uH) +/-10%	Weight (LBS)	Losses (W)
KDRAA46H2E3R1	1 1/2	2.40	3.2	19100	17.9	31
KDRAA43H2E3R1	2	2.70	3.4	17000	17.7	37
KDRAA44H2E3R1	3	3.90	4.5	11800	17.9	47
KDRAA57H2E3R1	4	4.90	6.0	9380	18.5	48
KDRAA58H2E3R1	5	6.10	6.8	7530	18.4	44
KDRAA58H2E3R1	5 1/2	6.60	6.8	7530	18.4	47

600 Rated Voltage, 690 Max Voltage, Low Z, Impedance.						
Part Number	Horsepower (HP)	Motor Amps (A)	Maximum Amps (A)	Inductance (uH) +/-10%	Weight (LBS)	Losses (W)
KDRAA47L2E3R1	2	2.70	4.8	10200	17.8	19
KDRAA52L2E3R1	3	3.90	4.8	7070	18.5	30
KDRAA57L2E3R1	4	4.90	7.6	5630	17.9	30
KDRAA58L2E3R1	5	6.10	7.6	4520	18.0	39
KDRAA58L2E3R1	5 1/2	6.60	7.6	4520	18.0	44
KDRAA48L2E3R1	7 1/2	9.00	9.6	3100	18.2	57



TCI, LLC | Germantown, WI | transcoil.com

KDR Drive Reactor
KDR — Motor Amps—
3PH 50/60Hz, —V Rated, 690V Max, —A Max, RoHS
50C Amb Max 135C Rise, Manual # 30895

UL LISTED
2ND CONT. EQ. 8940

CE

Date Code

- Notes: 1. UL file number: cULus Listed File E116124.
2. KDR Drive Reactors Comply With The Thermal and Altitude Standards Set Forth by NEMA ST20-1992.
3. KDR IOM Manual Part Number 30895
4. Material(s) Shall be RoHS Compliant
5. User To Punch Own Holes For Wire Entry.
6. Customer Is Responsible For Installation To Meet All National And Local Electrical Codes.

TOLERANCES (EXCEPT AS NOTED)				TCI W132 N10611 Grant Drive Germantown, WI 53022
DECIMAL				
XX ± .25 .XXX ± .10				
FRACTIONAL				KDR AA Frame, Terminal Block, Enclosed, Type 3R Reactor Drawing
± 1/16				
DRN BY	DATE	APRVD	SIZE	107186DG
DSW	7/21/17	DSW	C	
NO	REVISION	DATE	BY	SCALE: 1/3
				SHT 1 OF 1

TCI, LLC CLAIMS PROPRIETARY RIGHTS IN THE MATERIAL HEREIN DISCLOSED. IT IS SUPPLIED WITHOUT PREJUDICE TO ANY PATENT RIGHTS OF TCI AND MAY NOT BE REPRODUCED OR USED TO MANUFACTURE ANYTHING SHOWN THEREIN WITHOUT WRITTEN PERMISSION FROM TCI.