

480 Rated Voltage, 690 Max Voltage, High Z, Impedance.

Part Number	Horsepower (HP)	Motor Amps (A)	Maximum Amps (A)	Inductance (uH) +/-10%	Weight (LBS)	Losses (W)
KDRAA9H2	1 1/2	3.00	4.0	12300	2.8	37
KDRAA1H2	2	3.40	3.8	10800	2.8	45
KDRAA2H2	3	4.80	5.4	7650	3.0	42
KDRAA6H2	4	6.20	7.6	5930	3.4	50
KDRAA3H2	5	7.60	8.2	4840	3.7	66
KDRAA3H2	5 1/2	8.20	8.2	4840	3.7	74

480 Rated Voltage, 690 Max Voltage, Low Z, Impedance.

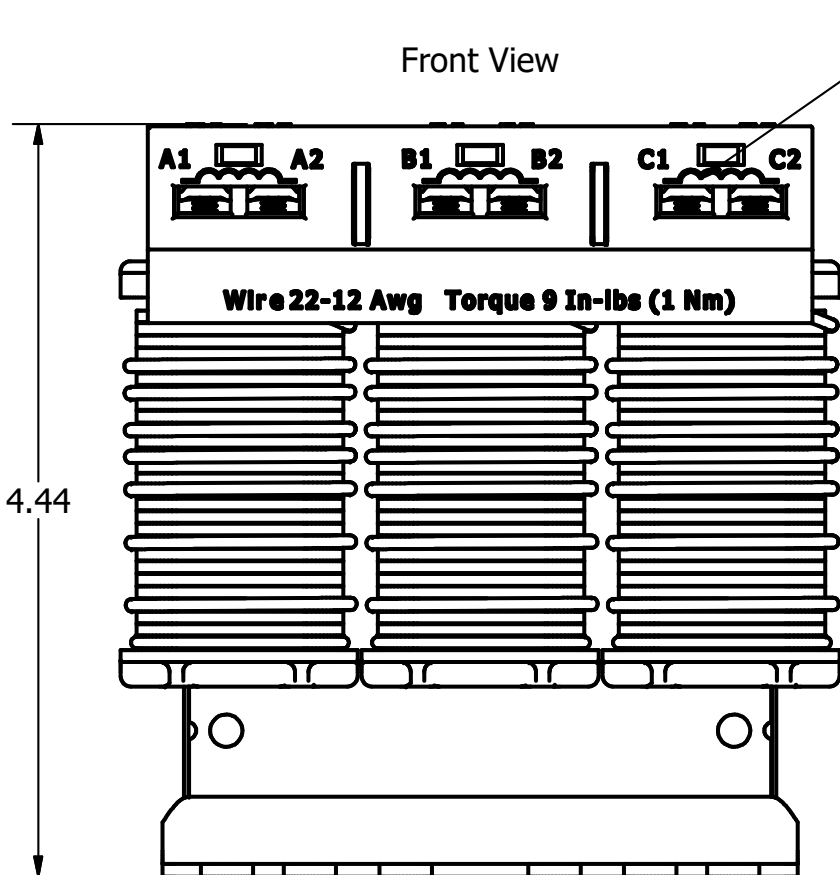
Part Number	Horsepower (HP)	Motor Amps (A)	Maximum Amps (A)	Inductance (uH) +/-10%	Weight (LBS)	Losses (W)
KDRAA9L2	1 1/2	3.00	4.5	7400	3.0	25
KDRAA6L2	4	6.20	7.6	3560	3.0	39
KDRAA3L2	5	7.60	8.2	2900	3.0	45
KDRAA3L2	5 1/2	8.20	8.2	2900	3.0	49
KDRAA4L2	7 1/2	11.0	11.6	2000	3.2	63

600 Rated Voltage, 690 Max Voltage, High Z, Impedance.

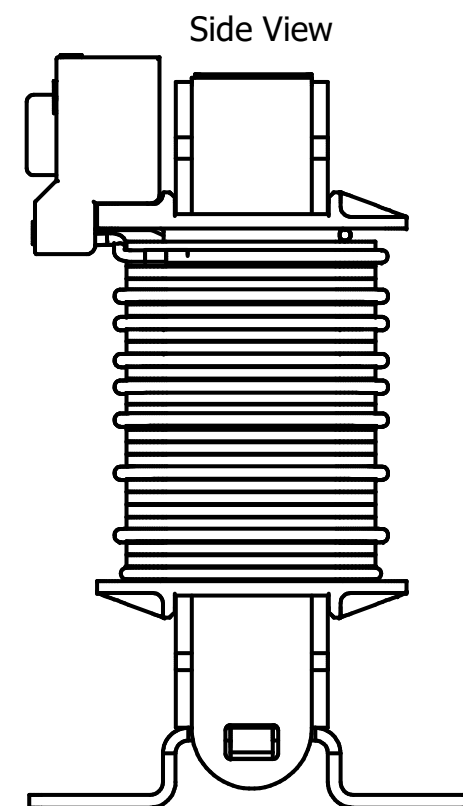
Part Number	Horsepower (HP)	Motor Amps (A)	Maximum Amps (A)	Inductance (uH) +/-10%	Weight (LBS)	Losses (W)
KDRAA46H2	1 1/2	2.40	3.2	19100	2.9	31
KDRAA43H2	2	2.70	3.4	17000	2.7	37
KDRAA44H2	3	3.90	4.5	11800	2.9	47
KDRAA57H2	4	4.90	6.0	9380	3.5	48
KDRAA58H2	5	6.10	6.8	7530	3.4	44
KDRAA58H2	5 1/2	6.60	6.8	7530	3.4	47

600 Rated Voltage, 690 Max Voltage, Low Z, Impedance.

Part Number	Horsepower (HP)	Motor Amps (A)	Maximum Amps (A)	Inductance (uH) +/-10%	Weight (LBS)	Losses (W)
KDRAA47L2	2	2.70	4.8	10200	2.8	19
KDRAA52L2	3	3.90	4.8	7070	3.5	30
KDRAA57L2	4	4.90	7.6	5630	2.9	30
KDRAA58L2	5	6.10	7.6	4520	3.0	39
KDRAA58L2	5 1/2	6.60	7.6	4520	3.0	44
KDRAA48L2	7 1/2	9.00	9.6	3100	3.2	57



Wire Range: 22-12 AWG.
Torque : 9 In-lbs (1 Nm)



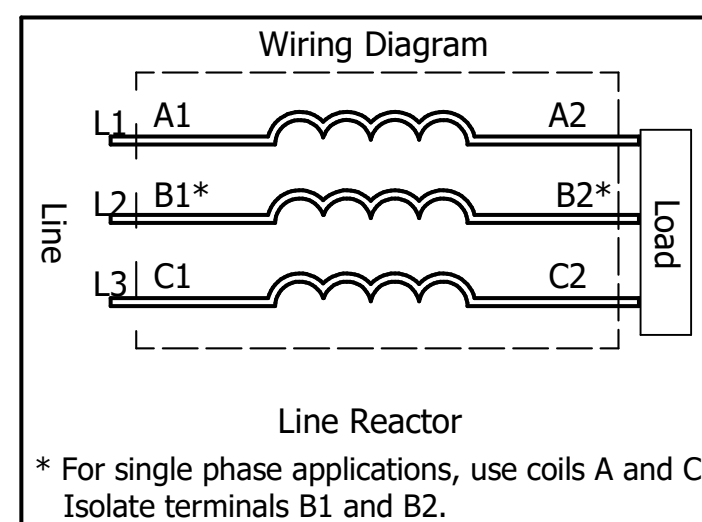
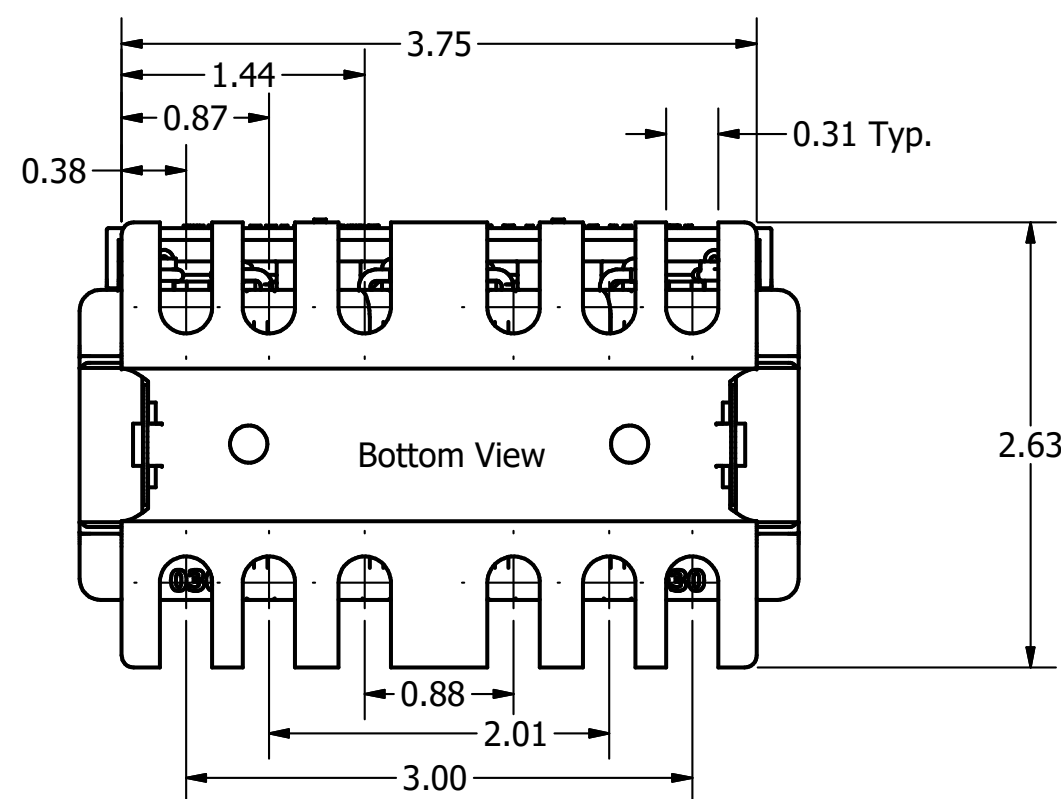
TCI TCI, LLC | Germantown, WI | transcoil.com

KDR Drive Reactor
 KDR — Motor Amps —
 3PH 50/60Hz, —V Rated, 690V Max, —A Max, RoHS
 50C Amb Max 135C Rise, Manual # 30895

UL cULus Listed File E116124
CE

Data Code

- Notes: 1. UL file number: cULus Listed File E116124.
 2. KDR Drive Reactors Comply With The Thermal and Altitude Standards Set Forth by NEMA ST20-1992.
 3. KDR IOM Manual Part Number 30895
 4. For Din Rail Kit, See Part Number DR02.
 5. Material(s) Shall be RoHS Compliant
 6. Customer Is Responsible For Installation To Meet All National And Local Electrical Codes.



TCI, LLC CLAIMS PROPRIETARY RIGHTS IN THE MATERIAL HEREIN DISCLOSED. IT IS SUPPLIED WITHOUT PREJUDICE TO ANY PATENT RIGHTS OF TCI AND MAY NOT BE REPRODUCED OR USED TO MANUFACTURE ANYTHING SHOWN THEREIN WITHOUT WRITTEN PERMISSION FROM TCI.

REVISION	DATE	BY	ANGULAR
A	As Designed	11/3/17	DSW
NO			± 1°

TCI W132 N10611 Grant Drive
Germantown, WI 53022

KDR AA Frame, Terminal Block
Reactor Drawing

DRN BY: DSW DATE: 11/3/17 107073DG
 SCALE: 1:1.2 APRVD: SIZE C SHT. 1 OF 1