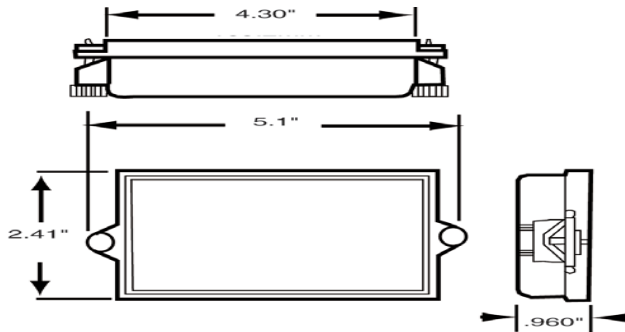


### 1/8 DIN NEMA 4 Removable Cover

- Protects 1/8 DIN indicators and controllers
- Dust tight and water tight to NEMA 4 standards
- Removable front cover allows access to programming buttons or scaling potentiometers



### Dimensions



Specifications	
<b>Lens Material</b>	Clear 94-V-0 UL-rated polycarbonate with UV inhibitor
<b>Gasket Material</b>	Closed Cell Neoprene
<b>Bezel Material</b>	Steel
<b>Bezel Finish</b>	Black Polyurethane
<b>Bezel Dimensions</b>	4.3" x 2.41" x 0.28" (109.2mm x 61.2mm x 7.1mm)
<b>Overall Dimensions</b>	4.3" x 2.41" x 0.96" (109.2mm x 61.2mm x 24.4mm)
<b>Panel Cutout</b>	3.66" x 1.79" (93mm x 45.5mm)

### Ordering Information

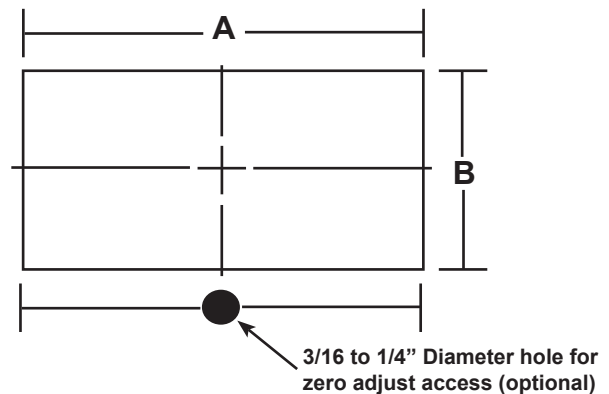
<b>Catalog No.</b>	<b>45003</b>
--------------------	--------------

### Bezel Kits

This bezel kit provides an attractive appearance for Wide-View analog panel meters. Die cast with a black satin finish, bezel kits are designed for behind panel mounting and can accommodate a panel thickness from 1/8" to 3/16". All required mounting hardware is included.



### Panel Cutout



### Ordering Information

Size	Panel Cutout		Catalog No.
	A	B	
3-1/2"	3.406"	2.094"	01253Z
4-1/2"	4.812"	2.750"	01123