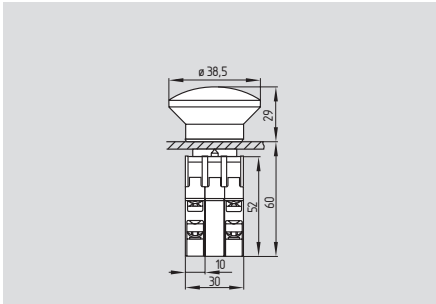


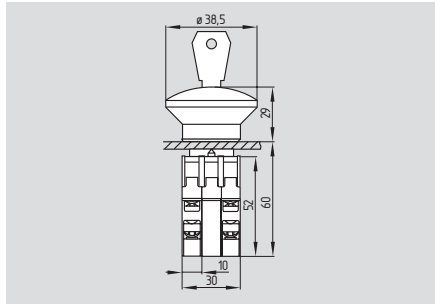
Emergency-Stop push button

EDRRZ 40 RT



- Metal operator head
- To EN ISO 13850 / IEC 60947-5-5
- Max. 2 NC and 2 NO or 4 NC contacts
- Projection from front of panel 29 mm
- For mounting holes Ø 22.3 mm
- Selection of terminal designations available
- Pull to reset

EDRRS 40 RT



- Reset by key
- To EN ISO 13850 / IEC 60947-5-5

Technical data

Standards:	IEC/EN 60947-5-5, EN ISO 13850
Operators:	aluminum
Protection class:	IP65 to EN 60529
Contact material:	silver
Switching principle:	⊖ IEC 60947-5-1 slow action
Contact type:	change-over contact, 2 NC contacts combined as desired
Connection:	screw terminals WAGO clip-in terminals on request
Cable section:	max. 2.5 mm ²
I _{the} :	10 A
U _i :	400 V
I _e /U _e :	8 A / 230 VAC 5 A / 24 VDC
Utilization category:	AC-15, DC-13
Max. fuse rating:	10 A gG D-fuse
Contact opening:	> 2 x 1.25 mm
Bounce duration:	< 5 ms at 100 mm/s
Ambient temperature:	-25 °C ... +80 °C (-40 °C on request)

Mechanical life:	
- operators:	> 100,000 operations
- contact blocks:	10 million operations
Switching frequency:	600/h
Resistance to shock:	max. 70 g / 4 ms,
- contact block:	110 g / 4 ms
Push button Ø:	38.5 mm
Mounting hole Ø:	22.3 mm

Classification:

Standards:	EN ISO 13849-1
B _{10d} (NC):	100,000
Mission time:	20 years

$$MTTF_d = \frac{B_{10d}}{0,1 \times n_{op}} \quad n_{op} = \frac{d_{op} \times h_{op} \times 3600 \text{ s/h}}{t_{cycle}}$$

Approvals



Ordering details

EDRR^① 40 RT/^②/^③

No.	Option	Description
①	Z	Pull reset
	S	Key reset
②	EF 303.1	1 NO / 1 NC
	EF 303.2	1 NO / 1 NC
	EF 220.1	2 NC
	EF 220.2	2 NC
Contact labelling, see contact variants on next page		
③	EFR	Spring element (always to be ordered)

Note

Other product variants:

- Diameter 16.2 mm and 30.5 mm
- Different diameters for the actuating heads
- Contact elements with push-on spades and (WAGO cage clamps)
- Optionally also completely mounted

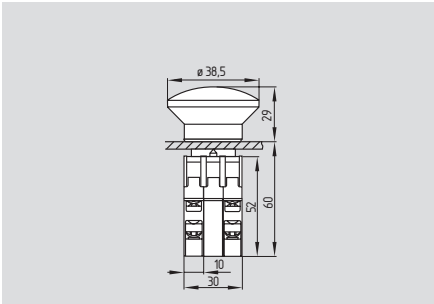
Note

In order to avoid repeating of the same terminal designations in wiring diagrams, contact blocks with the same contact configuration are available with different terminal designations.

Max. 2 NC and 2 NO or 4 NC contacts

Emergency-Stop push button

KDRRKZ 40 RT



- Thermoplastic operator head
- To EN ISO 13850 / IEC 60947-5-5
- Max. 2 NC and 2 NO or 4 NC contacts
- Projection from front of panel 29 mm
- For mounting holes Ø 22.3 mm
- Selection of terminal designations available
- Pull to reset

Technical data

Standards: IEC/EN 60947-5-5
EN ISO 13850

Operators: glass fiber reinforced thermoplastic, self-extinguishing

Protection class: IP65 to EN 60529

Contact material: silver

Switching principle: ⊖ IEC 60947-5-1
slow action

Contact type: change-over contact,
2 NC contacts combined as desired

Connection: screw terminals
WAGO clip-in terminals on request

Cable section: max. 2.5 mm²

U_{imp} : –

U_i : 400 V

I_e/U_e : 8 A / 230 VAC
5 A / 24 VDC

Utilization category: AC-15, DC-13

Max. fuse rating: 10 A gG D-fuse

Switching capacity: –

Contact opening: > 2 x 1.25 mm

Switchover time: –

Bounce duration: < 5 ms at 100 mm/s

Ambient temperature: –25 °C ... +80 °C
(–40 °C on request)

Mechanical life:

- operators: > 100,000 operations /
- contact blocks: 10 million operations

Switching frequency: 600/h

Resistance to shock: max. 70 g / 4 ms,
- contact block: 110 g / 4 ms

Push button Ø: 38.5 mm

Mounting hole Ø: 22.3 mm

Classification:

Standards: EN ISO 13849-1

B_{10d} (NC): 100,000

Mission time: 20 years

$$MTTF_d = \frac{B_{10d}}{0,1 \times n_{op}} \quad n_{op} = \frac{d_{op} \times h_{op} \times 3600 \text{ s/h}}{t_{cycle}}$$

Contact variants

1 NO / 1 NC

EF 303.1



EF 303.2



2 NC

EF 220.1



EF 220.2



Approvals



Ordering details

KDRRKZ 40 RT/①/①/②

No.	Option	Description
①	EF 303.1	1 NO / 1 NC
	EF 303.2	1 NO / 1 NC
	EF 220.1	2 NC
	EF 220.2	2 NC
		Contact labelling, see contact variants
②	EFR	Spring element (always to be ordered)

Note

Other product variants:

- Diameter 16.2 mm and 30.5 mm
- Different diameters for the actuating heads
- Contact elements with push-on spades and (WAGO cage clamps)
- Optionally also completely mounted

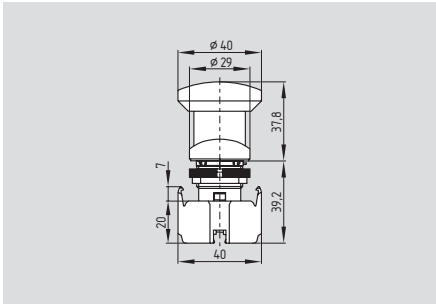
Note

In order to avoid repeating of the same terminal designations in wiring diagrams, contact blocks with the same contact configuration are available with different terminal designations.

Max. 2 NC and 2 NO or 4 NC contacts

Emergency-Stop push button

ADRR 40 RT



- Thermoplastic operator head
- To EN ISO 13850 / IEC 60947-5-5
- Max. 6 contacts in tandem arrangement
- For mounting holes Ø 22.3 mm
- Pull to reset

Technical data

Standards: IEC/EN 60947-5-5
EN ISO 13850

Operators: glass fiber reinforced thermoplastic, self-extinguishing

Protection class: IP65 to EN 60529

Contact material: silver

Switching principle: \ominus IEC 60947-5-1
slow action

Contact type: NO and NC contacts, combined as desired

Connection: screw terminals

Cable section: max. 2.5 mm²
(incl. conductor ferrules)

U_{imp} : 6 kV

U_i : 400 V

I_{the} : 10 A

I_e/U_e : 8 A / 230 VAC
5 A / 24 VDC

Utilization category: AC-15, DC-13

Max. fuse rating: 10 A gG D-fuse

Switching capacity: –

Contact opening: 2 x 1.75 mm

Switchover time: –

Bounce duration: –

Ambient temperature: –25 °C ... +60 °C

Mechanical life: 500,000 operations

Switching frequency: 600/h

Resistance to shock: 50 g / 20 ms

Push button Ø: 40 mm

Mounting hole Ø: 22.3 mm

Classification:

Standards: EN ISO 13849-1

B_{10d} (NC): 100,000

Mission time: 20 years

$$MTTF_d = \frac{B_{10d}}{0,1 \times n_{op}} \quad n_{op} = \frac{d_{op} \times h_{op} \times 3600 \text{ s/h}}{t_{cycle}}$$

System components



Empty enclosure MBK 311/GB



Empty enclosure MBG 311/GB



Emergency-Stop plate MDP-8

Approvals



Ordering details

ADRR 40 RT/①/①

No.	Option	Description
①	AF 02	1 NO
	AF 10	1 NC

Please indicate the number of desired contact elements

Note

Max. 6 contacts in tandem arrangement

Terminal labelling:

NC contact: 1-2

NO contact: 3-4

Ordering details

Empty enclosure

thermoplastic:

MBK 311/GB

metal:

MBG 311/GB

Emergency-Stop plate (yellow)

aluminum:

MDP-8

thermoplastic:

MDP-8.1