

Datasheet - SPACER BNS 250

Safety sensors / BNS 250 / Accessories



- to mount the magnetic safety sensor and actuator on ferromagnetic material
- Suitable for food processing industry



(Minor differences between the printed image and the original product may exist!)

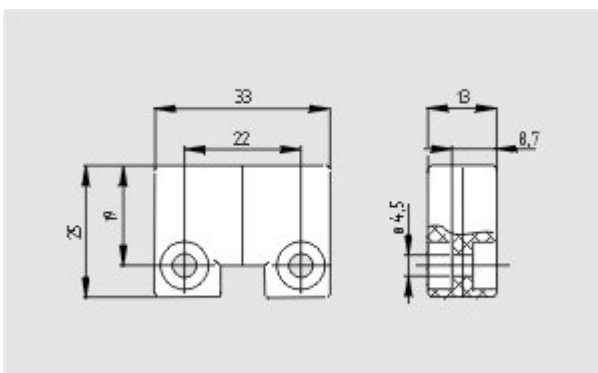
Ordering details

Product type description	DISTANZSTUECK BNS 250
Article number	101131223
EAN code	4030661052465
eCl@ss	27-27-92-91

Global Properties

Product name	DISTANZSTUECK
Weight	5 g

Images



Dimensional drawing (miscellaneous)

K.A. Schmersal GmbH & Co. KG, Möddinghofe 30, D-42279 Wuppertal

The data and values have been checked thoroughly. Technical modifications and errors excepted.

Generiert am 15.07.2016 - 19:31:50h Kasbase 3.2.4.F.64I