

Datasheet - CST 180-2

Safety sensors / CSS 180 / Actuator

Preferred typ



- Front and lateral actuation of the sensor possible



(Minor differences between the printed image and the original product may exist!)

Ordering details

Product type description	CST 180-2
Article number	101179574
EAN code	4030661314952
notice	Sensor and actuator must be ordered separately.
eCl@ss	27-27-92-17

Global Properties

Product name	Magnet
Materials	
- Material of the housings	Plastic
Weight	10 g

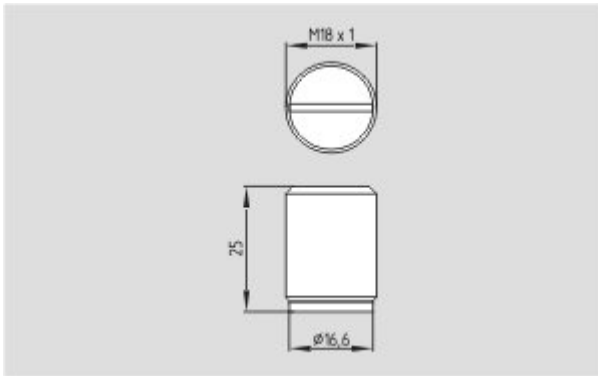
Dimensions

Dimensions of the actuators	
- Width of the actuator	25 mm
- Diameter of the actuator	M18

Included in delivery

Actuator CST 180-2	1 piece
--------------------	---------

Images



Dimensional drawing (basic component)

K.A. Schmersal GmbH & Co. KG, Möddinghofe 30, D-42279 Wuppertal

The data and values have been checked thoroughly. Technical modifications and errors excepted.

Generiert am 18.07.2016 - 20:00:53h Kasbase 3.2.4.F.64I