

Datasheet - CSA-M-1

Safety sensors / CSS 180 / Accessories



- Magnetic snap lock
- For play-free interlocking of light guards

(Minor differences between the printed image and the original product may exist!)

Ordering details

Product type description	CSA-M-1
Article number	101173457
EAN code	4030661308098
eCl@ss	27-27-92-90

Global Properties

Product name	Magnetschnapper
Weight	60 g

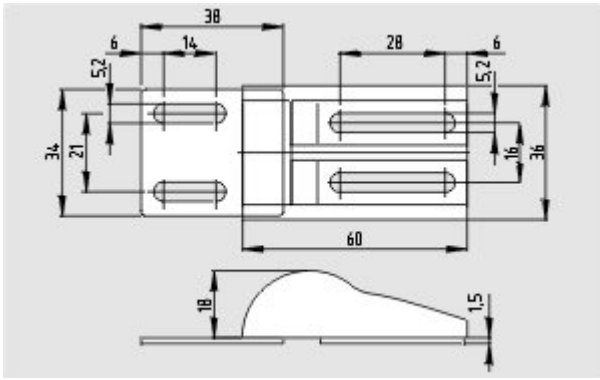
Mechanical data

Latching force	35 N
----------------	------

Dimensions

Dimensions	
- Width	36 mm
- Height	19.5 mm
- Depth	98 mm

Images



Dimensional drawing (basic component)

K.A. Schmersal GmbH & Co. KG, Mödinghofe 30, D-42279 Wuppertal
The data and values have been checked thoroughly. Technical modifications and errors excepted.
Generiert am 18.07.2016 - 19:54:39h Kasbase 3.2.4.F.64I