

Datasheet - BPS 250

Safety sensors / BNS 250 / Actuator



Preferred typ

• Thermoplastic enclosure



(Minor differences between the printed image and the original product may exist!)

Ordering details

Product type description	BPS 250
Article number	101120594
EAN code	4030661049168
eCl@ss	27-27-92-17

Global Properties

Product name	Magnet
Materials	
- Material of the housings	Plastic
Weight	15 g

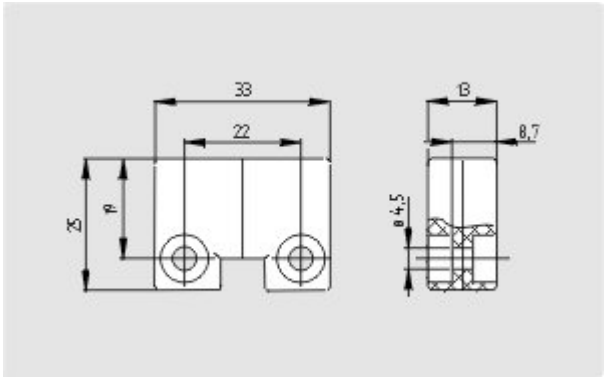
Dimensions

Dimensions of the actuators	
- Width of the actuator	33 mm
- Height of the actuator	25 mm
- Length of the actuator	13 mm

Included in delivery

tamperproof screws	2 piece
--------------------	---------

Images



Dimensional drawing (miscellaneous)

K.A. Schmersal GmbH & Co. KG, Möddinghofe 30, D-42279 Wuppertal
The data and values have been checked thoroughly. Technical modifications and errors excepted.
Generiert am 18.07.2016 - 19:02:07h Kasbase 3.2.4.F.64I