

Datasheet - BPS 303

Safety sensors / BNS 300 / Actuator

 Preferred typ

- Suitable for food processing industry



(Minor differences between the printed image and the original product may exist!)

Ordering details

Product type description	BPS 303
Article number	101117076
EAN code	4030661023878
eCl@ss	27-27-92-17

Global Properties

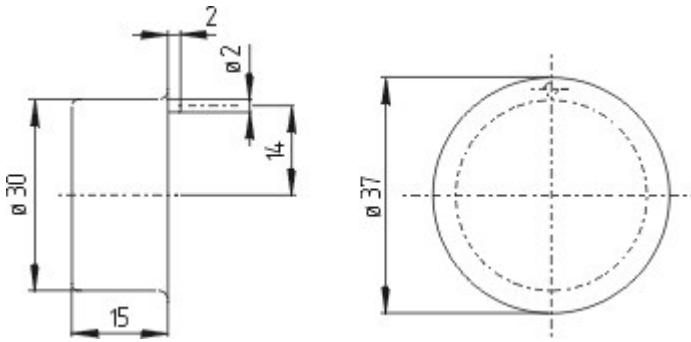
Product name	Magnet
Materials	
- Material of the housings	Plastic
Weight	32 g

Dimensions

Dimensions of the actuators	
- Width of the actuator	15 mm
- Diameter of the actuator	37 mm

Included in delivery

tamperproof screws	1 piece
--------------------	---------



Dimensional drawing (miscellaneous)

K.A. Schmersal GmbH & Co. KG, Möddinghofe 30, D-42279 Wuppertal

The data and values have been checked thoroughly. Technical modifications and errors excepted.

Generiert am 18.07.2016 - 19:23:10h Kasbase 3.2.4.F.64I