

## Datasheet - BPS 300

Safety sensors / BNS 333 / Actuator


 Preferred typ


(Minor differences between the printed image and the original product may exist!)

### Ordering details

Product type description	BPS 300
Article number	101113734
EAN code	4030661022437
eCl@ss	27-27-92-17

### Global Properties

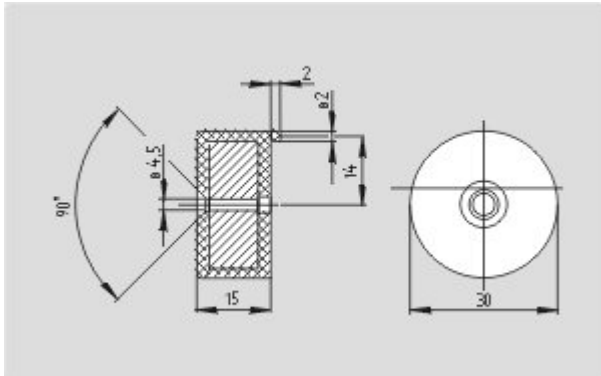
Product name	Magnet
Materials	
- Material of the housings	Plastic
Weight	30 g

### Dimensions

Dimensions of the actuators	
- Width of the actuator	15 mm
- Diameter of the actuator	30 mm

### Included in delivery

tamperproof screws	1 piece
--------------------	---------



Dimensional drawing (miscellaneous)

---

K.A. Schmersal GmbH & Co. KG, Möddinghofe 30, D-42279 Wuppertal

The data and values have been checked thoroughly. Technical modifications and errors excepted.

Generiert am 18.07.2016 - 19:13:30h Kasbase 3.2.4.F.64I