

## Datasheet - BPS 36-1

Safety sensors / BNS 36 / Actuator



Preferred typ

- Actuator and sensor on a mounting level



(Minor differences between the printed image and the original product may exist!)

### Ordering details

|                          |               |
|--------------------------|---------------|
| Product type description | BPS 36-1      |
| Article number           | 101190052     |
| EAN code                 | 4030661359649 |
| eCl@ss                   | 27-27-92-17   |

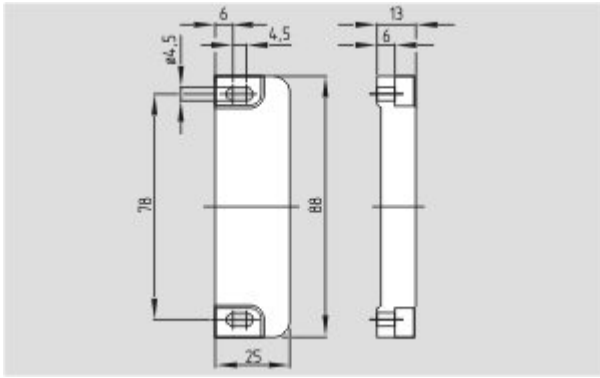
### Global Properties

|   |   |
|---|---|
| Product name                                  | Magnet                                  |
| Materials                                     |   |
| - Material of the housings                    | Plastic                                 |
| Weight  | 22.5 g                                  |
| Actuator and sensor on a mounting level (Y/N) | Yes                                     |
| notice  | Actuator and sensor on a mounting level |

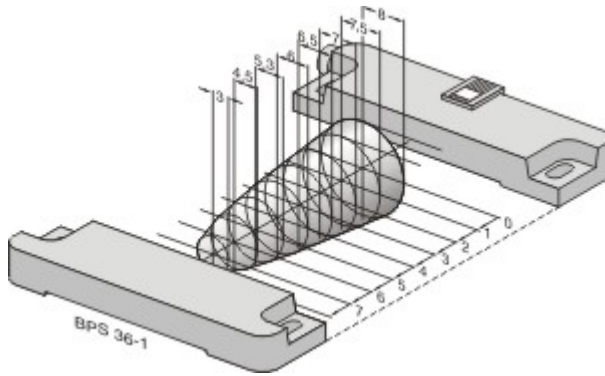
### Dimensions

|                             |       |
|-----------------------------|-------|
| Dimensions of the actuators |       |
| - Width of the actuator     | 88 mm |
| - Height of the actuator    | 25 mm |
| - Length of the actuator    | 7 mm  |

### Images



Dimensional drawing (actuator)



Characteristic curve

K.A. Schmersal GmbH & Co. KG, Mödinghofe 30, D-42279 Wuppertal  
 The data and values have been checked thoroughly. Technical modifications and errors excepted.  
 Generiert am 18.07.2016 - 19:46:44h Kasbase 3.2.4.F.64I