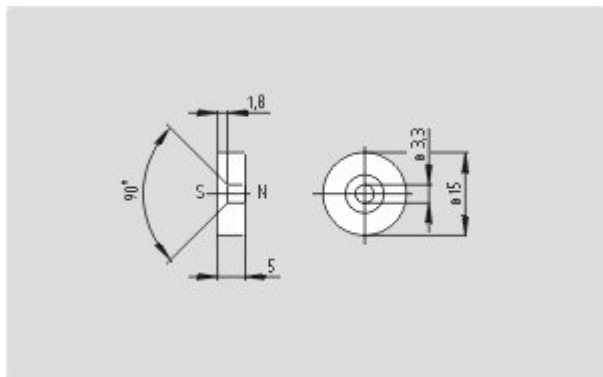


Datasheet - BP 6

Magnetic reed switch / Actuator

 Preferred typ

- Unenclosed
- S-pole marked red

(Minor differences between the printed image and the original product may exist!)

Ordering details

Product type description	BP 6
Article number	101091837
EAN code	4030661026466
eCl@ss	27-27-92-17

Global Properties

Product name	Magnet
Weight	5 g
Special characteristics	Unenclosed

Dimensions

Dimensions of the actuators	
- Width of the actuator	5 mm
- Diameter of the actuator	15 mm

Images

K.A. Schmersal GmbH & Co. KG, Möddinghofe 30, D-42279 Wuppertal

The data and values have been checked thoroughly. Technical modifications and errors excepted.

Generiert am 18.07.2016 - 18:43:34h Kasbase 3.2.4.F.64I