


Datasheet - AZM 161CC-12/12RKN-024

Solenoid interlock / AZM 161



(Minor differences between the printed image and the original product may exist!)

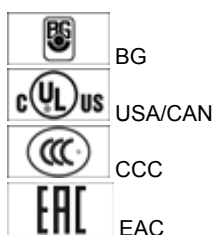
- Thermoplastic enclosure
- Double-insulated 
- Interlock with protection against incorrect locking.
- 130 mm x 90 mm x 30 mm
- 6 Contacts
- Long life
- Large wiring compartment
- Emergency release
- cable entries 4 M 16 x 1.5

Ordering details

Product type description	AZM 161CC-12/12RKN-024
Article number	101181019
EAN Code	4030661314792
eCl@ss	27-27-26-03

Approval

Approval




Classification

Standards	EN ISO 13849-1
B10d Normally-closed contact (NC)	2.000.000
Mission time	20 Years
notice	$MTTF_d = \frac{B_{10d}}{0,1 \times n_{op}}$ $n_{op} = \frac{d_{op} \times h_{op} \times 3600 \text{ s/h}}{t_{cycle}}$

Global Properties

Permanent light	AZM 161
-----------------	---------

Standards	EN 60947-5-1, BG-GS-ET-19
Compliance with the Directives (Y/N) 	Yes
Number of actuating directions	3
Active principle	electromechanical
Duty cycle ED	Magnet 100 %
Materials	
- Material of the housings	Plastic, glass-fibre reinforced thermoplastic, self-extinguishing
- Material of the contacts	Silver
Housing coating	None
Weight	465

Mechanical data

Actuating play in direction of actuation	5.5 mm
Design of electrical connection	Cage clamps
Cable section	
- Min. Cable section	1 x 0,25
- Max. Cable section	1 x 1.5
Mechanical life	> 1.000.000 operations
notice	All indications about the cable section are including the conductor ferrules.
Emergency unlocking device (Y/N)	No
Manual release (Y/N)	No
Emergency release (Y/N)	Yes
Latching force	30
Positive break force	20
positive break travel	10
Clamping force F	2000 N
Max. Actuating speed	2 m/s
Actuating frequency	max. 1000 / h

Ambient conditions

Ambient temperature	
- Min. environmental temperature	-25 °C
- Max. environmental temperature	+60 °C
Protection class	IP67 to IEC/EN 60529

Electrical data

Design of control element	Normally open contact (NO), Opener (NC)
Switching principle	Creep circuit element
Number of auxiliary contacts	2
Number of safety contacts	4
Power to unlock	Yes
Power to lock	No
Rated control voltage U_s	24 VAC/DC
Power consumption	max. 10 W
Power consumption	max. 10 W
Rated impulse withstand voltage U_{imp}	4 kV
Rated insulation voltage U_i	250 V
Thermal test current I_{the}	6 A
Utilisation category	AC-15: 230 V / 4 A, DC-13: 24 V / 2,5 A
Required rated short-circuit current	1000 A

ATEX

Explosion protection categories for gases

None

Explosion protected category for dusts

None

Miscellaneous data

Applications



sliding safety guard,



removable guard,



hinged safety guard

Dimensions

Dimensions of the sensor

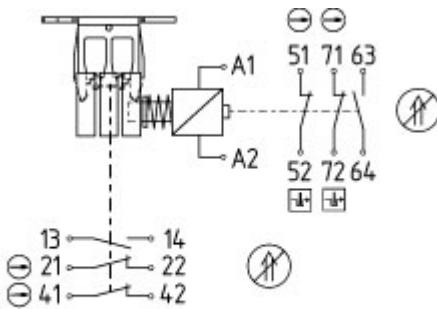
- Width of sensor 130 mm
- Height of sensor 90 mm
- Length of sensor 30 mm

notice

Emergency release

- For cases of danger
- Mounting only outside the guarded area

Diagram

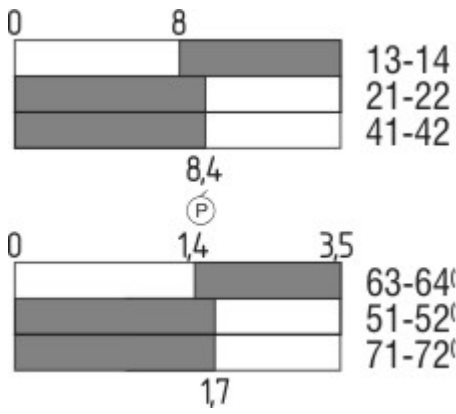


13	14	21	22	41	42	51	52	63	64	71	72	A1	A2
----	----	----	----	----	----	----	----	----	----	----	----	----	----

Note Diagram

- positive break NC contact
- active
- no active
- Normally-open contact
- Normally-closed contact

Switch travel diagram

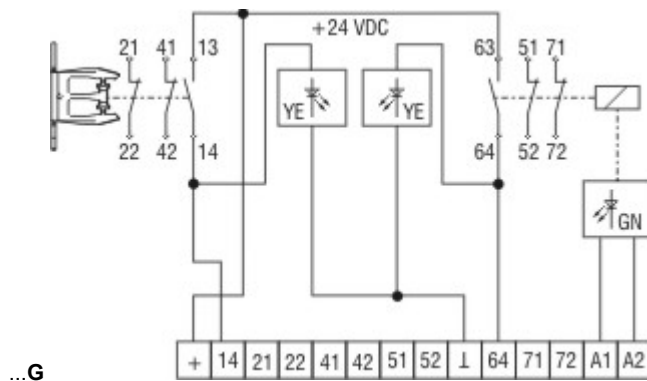


Notes Switch travel diagram

- Contact closed
- Contact open
- Setting range
- Break point
- Positive opening sequence/- angle
- VS** adjustable range of NO contact
- VÖ** adjustable range of NC contact
- N** after travel

Ordering suffix

The applicable ordering suffix is added at the end of the part number of the safety switch.
 Order example: AZM 161CC-12/12RKN-024**G**



Protected against incorrect polarity and voltage spikes.
 limited terminating space 0,75 mm²

- Diagram**
- 14 guard open
 - 13 +24 VDC
 - 63 0 VDC
 - 64 unlocked

Ordering code

AZM 161 (1)-(2)(3)K(4)-(5)-(6)(7)

- (1)**
- SK** Screw connection
- CC** Cage clamps
- ST** male connector M12, 8- and 4-poles (Only for Us: 24 VAC/DC)
- (2)**
- 12/12** 2 Normally open contact (NO) / 4 Opener (NC)
- 12/11** 2 Normally open contact (NO) / 3 Opener (NC) (Plug-in connection)
- 11/12** 2 Normally open contact (NO) / 3 Opener (NC) (Plug-in connection)
- (3)**
- without* Latching force 5 N
- R** Latching force 30 N

(4)		
<i>without</i>		Power to unlock
A		Power to lock
(5)		
<i>without</i>		Manual release lateral
ED		Manual release cover-side
EU		Manual release rear
T		Emergency exit lateral
TD		Emergency exit cover-side
TU		Emergency exit rear
N		Emergency release
(6)		
024		Us: 24 VAC/DC
110/230		Us: 110/230 VAC
(7)		
G		with LED (<i>Only for Us: 24 VAC/DC</i>)

Documents

Operating instructions and Declaration of conformity (sv) 423 kB, 15.08.2012

Code: mrl_azm161_sv

Operating instructions and Declaration of conformity (es) 544 kB, 31.05.2019

Code: mrl_azm161_es

Operating instructions and Declaration of conformity (de) 490 kB, 22.05.2019

Code: mrl_azm161_de

Operating instructions and Declaration of conformity (pt) 525 kB, 29.01.2019

Code: mrl_azm161_pt

Operating instructions and Declaration of conformity (cn) 585 kB, 23.08.2016

Code: mrl_azm161_cn

Operating instructions and Declaration of conformity (en) 524 kB, 22.05.2019

Code: mrl_azm161_en

Operating instructions and Declaration of conformity (pl) 546 kB, 20.02.2019

Code: mrl_azm161_pl

Operating instructions and Declaration of conformity (fr) 526 kB, 24.05.2019

Code: mrl_azm161_fr

Operating instructions and Declaration of conformity (cs) 464 kB, 23.08.2017

Code: mrl_azm161_cs

Operating instructions and Declaration of conformity (jp) 728 kB, 23.08.2016

Code: mrl_azm161_jp

Operating instructions and Declaration of conformity (it) 518 kB, 28.05.2019

Code: mrl_azm161_it

Operating instructions and Declaration of conformity (nl) 527 kB, 08.02.2019

Code: mrl_azm161_nl

BG-test certificate (de) 1 MB, 22.07.2019

Code: z_m16p01

BG-test certificate (en) 1 MB, 22.07.2019

Code: z_m16p02

CCC certification (en) 5 MB, 26.10.2018

Code: q_371p02

CCC certification (cn) 5 MB, 26.10.2018

Code: q_371p03

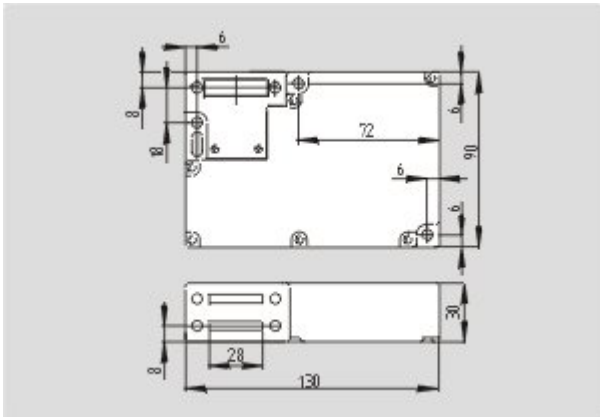
EAC certification (ru) 809 kB, 05.10.2015

Code: q_6040p17_ru

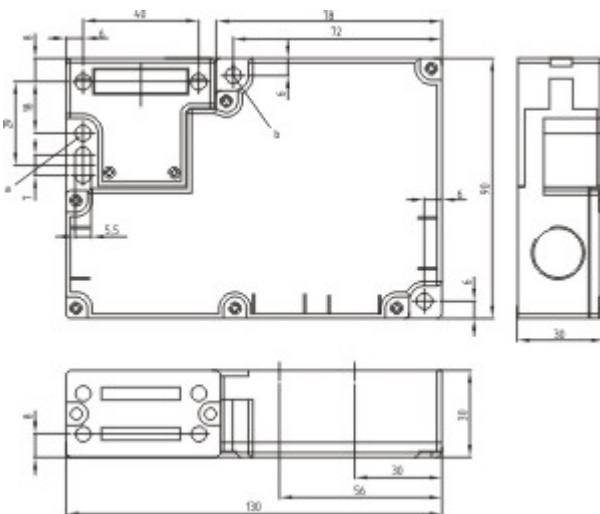
notice (de, en) 88 kB, 27.09.2007

Code: s_161p01

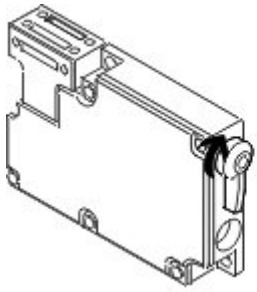
Images



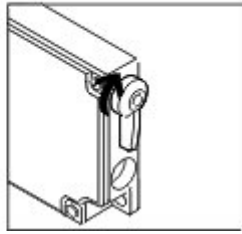
Dimensional drawing (basic component)



Dimensional drawing (basic component)



Operating principle



System components

Actuator

101145117 - AZM 161-B1



101144416 - AZM 161-B1E



101171859 - AZM 161-B1ES



101175431 - AZM 161-B1F



101171125 - AZM 161-B1S



101173089 - AZM 161-B1-2053 WITH BALL LATCH





101164100 - AZM 161-B1-1747 WITH MAGNETIC LATCH



101178199 - AZM 161-B1-2024



101176642 - AZM 161-B1-2177 WITH CENTERING GUIDE



101174113 - AZM 161-B6-2177 WITH CENTERING GUIDE

- For very small actuating radii



101170375 - AZM 161-B6S



101144420 - AZM 161-B6

- For very small actuating radii

Door-handle system



AZM 161-STS30

- Latching handle
- Suitable for all types of guard
- Max. 110 °C

Accessories

101100887 - TRIANGULAR KEY TK-M5

- For manual release using M5 triangular key, available as accessory



- For maintenance, installation, etc.



101149213 - Mounting set MS AZM 161 R/P

101150376 - Mounting set MS AZM 161 P



K.A. Schmersal GmbH & Co. KG, Möddinghofe 30, D-42279 Wuppertal

The data and values have been checked thoroughly. Technical modifications and errors excepted.

Generiert am 15.08.2019 - 22:35:39h Kasbase 3.3.0.F.64l