

Datasheet - PULLEY

Further accessories for Pull-wire switches / Pulley



Preferred typ



- for Wire rope \varnothing 3 mm
- To guide the wire rope where the path is not a straight line

(Minor differences between the printed image and the original product may exist!)

Ordering details

Product type description	UMLENKROLLE
Article number	101192433
EAN code	4030661362069
eCl@ss	27-37-12-81

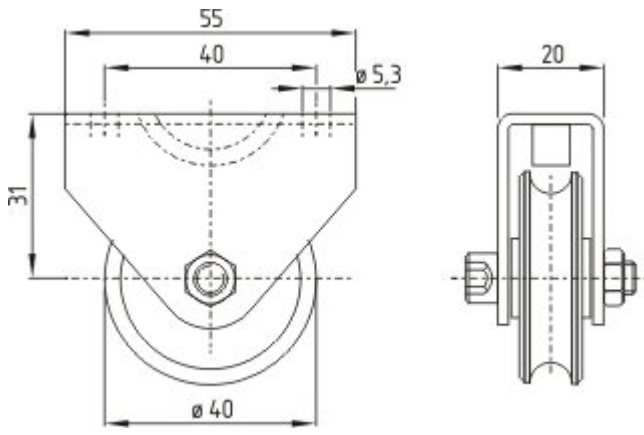
Global Properties

Product name	UMLENKROLLE
Material	NIRO Stainless steel
Weight	86 g

notice

According to EN ISO 13850, pulleys may only be mounted such that the complete length of the pull-wire can be observed.

Images



Dimensional drawing (miscellaneous)

K.A. Schmersal GmbH & Co. KG, Möddinghofe 30, D-42279 Wuppertal

The data and values have been checked thoroughly. Technical modifications and errors excepted.

Generiert am 19.07.2016 - 17:29:48h Kasbase 3.2.4.F.64I